



PowerSeries Pro Reference Manual



HS3032, HS3128, HS3248



29010890R002



Contents

Safety instructions.....	9
Introduction.....	10
About the system.....	10
Features.....	10
Zones, wireless keypads, wireless keys, panic pendants, and proximity tags.....	10
Access codes.....	10
Programmable outputs (PGMs).....	10
System supervision features.....	11
Available models.....	11
Model comparison.....	11
Compatible devices.....	12
Installation.....	19
Before installing the equipment.....	19
Overview of installation process.....	19
Alarm controller installation.....	20
Mounting the enclosure.....	20
General wiring instructions.....	26
Power supply wiring.....	26
HS3032/HS3128/HS3248 in HSC3010C NA wiring diagram.....	27
HS3032/HS3128/HS3248 in HSC3010C wiring diagram (Argentina only).....	28
HS3032/HS3128/HS3248 in HSC3020C NA wiring diagram.....	29
Installing the HSM3204CX in HSC3010C enclosure.....	30
HSM3204CX in HSC3020C North American wiring diagram.....	31
Installing the HSM3350 in the HSC3010C enclosure.....	32
North American wiring for HSM3350 in the HSC3020C enclosure.....	32
Installing the HS3032/HS3128/HS3248 in the HSC3020C enclosure (EU models).....	34
Installing and wiring in the HSC3020CP.....	35
HSM3204CX in HSC3020C wiring diagram (EU).....	37
HSM3350 in HSC3020C wiring diagram (EU).....	39
Terminal descriptions.....	40
Wire routing for power & non-power limited.....	40
Corbus wiring.....	40
Installing modules.....	43
Zone expanders.....	43
2-way audio module.....	44
Output expander.....	44
Wireless transceiver module.....	44
Power supply wiring.....	45
HSM3350.....	46
Corbus repeater.....	47
Keypad Wiring.....	48
HSM2955 wiring.....	49

Zone wiring.....	49
PGM wiring.....	53
Aux power wiring.....	54
Bell wiring.....	54
Telephone line wiring.....	55
Smoke detector wiring.....	55
CO detector.....	58
Earth ground wiring.....	59
Connecting power.....	59
Configuration.....	63
Basic configuration steps.....	63
Using the keypad.....	63
Special keys.....	63
LED indicators.....	63
Enrollment.....	65
Enrolling modules.....	65
Module supervision.....	65
Enroll wireless devices.....	66
Working with partitions.....	66
Setting up a partition.....	67
Bell/siren operation.....	67
Interconnected smoke detector operation.....	67
Trouble indicators.....	67
Keypad partition setup.....	68
Loaned partition setup.....	68
Global zones.....	68
Fire and CO zone types.....	68
Bell/PGM support.....	69
Communications.....	69
Assign zones.....	69
Assign users.....	69
Factory defaults.....	69
Alternate communicator setup.....	70
Communication paths.....	70
Communications options.....	70
Communication attempt limit.....	71
Supervision restore.....	71
Remote firmware upgrade.....	71
Local firmware upgrade.....	71
Testing the system.....	71
Installer Walk Test.....	71
Viewing the event buffer.....	72
System Operation.....	73

Arming and disarming.....	73
Partition vs. global keypad.....	73
Single partition operation.....	73
Global/multiple partition operation.....	74
Labels.....	74
System label.....	74
Zone labels.....	74
Partition labels.....	75
Module labels.....	75
Event labels.....	75
Partition command output labels.....	75
Annunciation.....	75
Door chime.....	75
Temperature display.....	76
Low temperature warning.....	76
Keypad function keys.....	76
Function key definitions.....	77
Language selection.....	79
[*] Commands.....	80
[*][*] Temperature function.....	80
[*][1] Bypass or stay/away/night zones.....	80
Troubleshooting.....	82
[*][2] Trouble display.....	82
[*][3] Alarm memory display.....	87
[*][4] Door chime enable/disable.....	88
[*][5] Program access codes.....	88
[*][6] User functions.....	92
[*][7] Command outputs 1-4.....	96
[*][8] Installer programming.....	96
[*][9] No-entry arming.....	96
[*][0] Quick arm/exit.....	97
Visual verification.....	97
Video on Demand using ITv2 Sessions.....	98
Associating zones to a PIR camera.....	98
Programming.....	99
How to program.....	99
Programming methods.....	99
Template programming.....	99
DLS programming.....	100
Local programming with micro USB or Wi-Fi adapter.....	101
Remote programming.....	101
Installer programming.....	101
Viewing programming.....	101

Programming hex and decimal data.....	102
Programming descriptions.....	103
Adding labels.....	103
Zone setup.....	107
EOL resistance.....	114
System times.....	115
Access Codes.....	117
[007] - [008] PGM Configuration.....	118
[009] PGM Types.....	118
[010] PGM Attributes.....	125
[011] PGM Configuration Options.....	135
[012] System Lockout.....	136
System Options.....	137
Partition Setup.....	152
Reporting.....	156
System Communications.....	164
DLS Programming.....	172
Virtual Inputs.....	175
Schedule Programming.....	175
[802] Audio Verification Module Programming.....	176
Wireless Programming.....	176
Communicator Programming.....	176
Systems Information.....	202
Module Programming.....	203
Testing.....	205
Defaults.....	208
Programming worksheets.....	209
Label Programming.....	209
Zone Setup.....	221
Zone Attribute Defaults.....	222
End Of Line Resistance.....	225
System Times.....	225
Access Codes.....	229
PGM Programming.....	229
System Lockout.....	266
System Options.....	266
Auto arm/disarm.....	271
Partition and Zone Assignment.....	286
Communications.....	300
Call Directions.....	312
DLS Programming.....	322
Virtual Inputs.....	323
Schedule Programming.....	324

Audio Module Programming.....	330
Wireless Programming.....	339
Alternate Communicator.....	339
Keypad Programming.....	348
Template Programming.....	352
System Information.....	352
Module Programming.....	353
Wireless Placement Testing.....	354
Testing.....	354
Battery Settings.....	355
Restoring Factory Defaults.....	357
Troubleshooting.....	358
Testing.....	358
Troubleshooting.....	358
[*][2] Trouble summary.....	358
Reporting codes.....	368
Contact ID.....	368
SIA Format - Level 2 (Hard Coded).....	368
Contact ID & SIA Zone Alarm/Restore Event Codes.....	375
Word library.....	377
Template programming tables.....	379
Digit 1 – Zones 1-8 Definition Options.....	379
Digit 2 – System EOL Configuration Options.....	379
Digit 3 – Reporting Code Communication Options.....	380
Digit 4 – Reporting Code Configuration Options.....	384
Common Group.....	385
Digit 5 - DLS Connection Options.....	389
ASCII Characters.....	391
Regulatory approvals.....	392
Regulatory approvals.....	392
FCC COMPLIANCE STATEMENT.....	392
Innovation, Scientific and Economic Development Canada (ISED) Statement.....	393
SIA False Alarm Reduction Installations: Quick Reference.....	394
SIA quick reference table.....	395
European EN50131 Compliance Statement.....	399
Notes for EN50136-1:2012 compliant installations - applicable to integrated phone line and Ethernet communicator only.....	400
UK Compliance Statement.....	401
Setting Methods.....	401
Unsetting Methods.....	402
UL/ULC Wiring Diagram.....	404
HS3032, HS3128, and HS3248 UL/ULC wiring diagram (North America only).....	404

Specifications.....	405
Locating detectors and escape plan.....	408
Locating detectors and escape plan.....	408
Smoke Detectors.....	408
Fire Escape Planning.....	409
Carbon Monoxide Detectors.....	410
New Features Listing.....	411
Limited warranty.....	412
Software produce license.....	417

Safety instructions

Read the safety information before you install the equipment.

- ▶ **Important:** This equipment must be installed by a skilled person only. A skilled person is an installer with appropriate technical training. The installer must be aware of potential hazards during installation and measures available to minimize risks to the installer and other people.
 - Before you install this equipment disconnect all power sources (for example mains, battery, and telephone line) connected to the alarm panel.
 - Install the equipment indoors in a non-hazardous environment where the following conditions are met:
 - Pollution degree - Maximum 2
 - Over voltages - Category II
 - Internal wiring must be routed to prevent:
 - strain on wire and terminal connections
 - loose terminal connections
 - damage to conductor insulation
- ⓘ **Note:** Instruct the user that there are no user serviceable parts in this equipment. All equipment must be serviced by a skilled person.
- ⚠ **WARNING:** This equipment has no mains on/off switch. The plug of the direct plug in versions of this equipment is intended to serve as the disconnecting device. It is imperative that access to the mains plug and associated mains socket/outlet is never obstructed. For permanently connected versions of this equipment the fuse in the connector block is the disconnect device. If the neutral wire cannot be identified, then this equipment must be connected to a mains source that comes from a disconnect device that simultaneously disconnects both poles (Line and Neutral).

Introduction

About the system

The PowerSeries Pro alarm panel is a feature-rich, scalable alarm system designed for commercial use. The alarm panel supports both hardwired and wireless devices. This section lists the features of the alarm panel, available models, and compatible devices.

The following symbols are used to indicate features or methods of operation that are only available in a particular market. No symbol indicates the feature or operation is available for all markets unless noted specifically otherwise.

CP-01 - North America

EN - Europe

NFA2P - France

UK - United Kingdom

Features

The following features are available on the PowerSeries Pro alarm controller.

Zones, wireless keypads, wireless keys, panic pendants, and proximity tags

The system supports the following devices:

- 32 or 128 wireless zones or 32, 128, or 248 wired zones. This includes the 8 wired zones available on the controllers.
- 41 zone types and 15 programmable zone attributes.
- 8, 16, or 32 separate keypads supported.
- 32 separate wireless keys supported.
- 72 or 1000 separate proximity tags supported.

Access codes

- Up to 1002 access codes: 1000 (level 2-EN) including one system master code (level 2-EN). In addition, one installer code (level 3-EN), and one maintenance code are available.
 - ① **Note:** EN50131-1 compliant systems using more than 100 access codes shall set the access code to 8 digits (section [041], option 02).
- Programmable attributes for each user code (see [Access code attributes](#))

Programmable outputs (PGMs)

- Up to 4 programmable outputs (PGM) on the alarm controller with 50 available options.
- 44, 166, or 212 maximum programmable outputs for HS3032, HS3128, HS3248.

System supervision features

The PowerSeries Pro continuously monitors a number of possible trouble conditions and provides audible and visual indication at the keypad. Trouble conditions include:

- AC power failure
- Zone trouble
- Fire trouble
- Telephone line trouble
- Communicator trouble
- Low battery condition
- RF jam
- AUX power supply fault
- Failure to communicate
- Module fault (supervisory or tamper)
- Bell trouble
- Corbus troubles
- Power unit trouble

Available models

The following alarm controller models are available:

- HS3032
- HS3128
- HS3248

Model comparison

The table below lists the features of each alarm system model.

Table 1: Model comparison

Features	HS3032	HS3128	HS3248
On board			
Zones	8	8	8
PGMs	4	4	4
2-way audio interface	1	1	1
Cellular plug-in interface	1	1	1
On-board ethernet connection	1	1	1
PC-link interface	1	1	1
USB connectors	2	2	2
PC- Link	1	1	1
Expansion			
Zones	32	128	248
Low current PGMs	32	128	128
High current PGMs	4	16	16

Table 1: Model comparison

Features	HS3032	HS3128	HS3248
Relay output PGMs	4	32	64
Partitions	4	8	32
Keypads	8	16	32
Users	72	1000	1000
Standard event buffer	500	1000	1000
Priority event buffer	2000	2000	2000
Alarm buffer	100	100	100
Arming buffer	100	100	100
Wireless device expansion			
Wireless zones	32	128	128
Panic pendant zones	32	32	32
Wireless keys	32	32	32
Sirens	8	16	16
Repeaters *	8	8	8
Module expansion			
PowerG transceiver - HSM2HOST or LCD keypad with prox and host (HS2LCDFPROx) **	1	1	1
8-zone expander - HSM2108 ***	3	15	30
8-zone expander - HSM3408 ***	3	15	30
PGM expander - HSM2208	4	16	16
3A power supply - HSM3350	3	4	4
1A power supply - HSM2300	3	4	4
Power supply with 4 outputs - HSM2204	1	4	4
2-way audio module - HSM2955	1	1	1
Corbus repeater - HSM3204CX	1	8	16
Plug-in cellular module - XX9080	1	1	1
LCD Keypad with Prox - HS2LCDPRO	8	16	32
Touchscreen with Prox - HS2TCHPRO(BLK)	8	16	32
Wire-free Keypad with Prox - HS2LCDWFPROx	8	16	16
Wire-free Keypad Prox and Voice - HS2LCDWFVPROx	8	16	16

* For UL installations, 2 wireless repeaters must be installed for proper signal routing.

** Only one PowerG transceiver can be enrolled on a PowerSeries Pro panel. The PowerG transceiver can be an HSM2HOST or an LCD keypad with host (HS2LCDFPROx).

*** The HSM3408 and HSM2108 can be enrolled on the system at the same time, but each take up 1-zone expander module slot. The maximum combined zone expander modules slots are 3 on the HS3032, 15 on the HS3128, and 30 on the HS3248.

Compatible devices

The following wireless devices and modules are compatible with this alarm controller. In the table below and throughout this document, x in the model number represents the operating frequency

of the device as follows: 9 (912-919 MHz), 8 (868MHz), 4 (433MHz). Only models operating in the band 912-919 MHz are UL/ULC listed where indicated.

- ① **Note:** Only UL approved devices are to be used with UL/ULC listed systems.
- ① **Note:** PowerSeries Pro supports v1.40 or higher keypad versions only. Neo keypads (keypad versions less than 1.40) are not compatible with PowerSeries Pro.
- ① **Note:** For ULC-s559 listed applications the HS2TCHPRO(BLK) touchscreen keypad is for supplementary use only.

Table 2: Compatible devices

Modules	UL/ULC Listed	EN50131 Grade 2 certified	EN50131 Grade 3 certified
HS2LCDWFPROx wireless keypad	HS2LCDWFPRO9	HS2LCDWFPRO8	
HS2LCDWFVPROx wireless keypad with voice	HS2LCDWFVPRO9	HS2LCDWFVPRO8	
HS2LCDRFPROx hardwired keypad with PG transceiver	HS2LCDRFPRO9	HS2LCDRFPRO8	
HS2LCDPRO hardwired keypad	HS2LCDPRO		HS2LCDPRO
HS2TCHPRO touchscreen keypad (white enclosure)	HS2TCHPRO		HS2TCHPRO
HS2TCHPROBLK touchscreen keypad (black enclosure)	HS2TCHPROBLK		HS2TCHPROBLK
HSM2HOSTx 2-way PowerG wireless transceiver	HSM2HOST9	HSM2HOST8	
HSM2108 8-zone expander	HSM2108	HSM2108	
HSM2208 8-zone, low-current output expander	HSM2208	HSM2208	
HSM3408 8-zone expander with diagnostics	HSM3408		HSM3408
HSM2204 4-zone, high-current output expander	HSM2204	HSM2204	
HSM2955(R) audio verification module	HSM2955(R)	HSM2955(R)	
HSM3204CX power supply/relay output/corbus repeater module	HSM3204CX		HSM3204CX

Table 2: Compatible devices

Modules	UL/ULC Listed	EN50131 Grade 2 certified	EN50131 Grade 3 certified
HSM2300 1A power supply	HSM2300	HSM2300	
HSM3350 3A power supply	HSM3350		HSM3350
HSM3WIFI USB to WiFi adapter			
3G9080 Alternate communicator	3G9080		
LE9080 Alternate communicator	LE9080		
3G9080-EU Alternate communicator			3G9080-EU
TL880LT Alternate communicator	TL880LT		
TL8803G Alternate communicator	TL8803G		
TL880LE Alternate communicator	TL880LE		
PowerG wireless devices			
PGx862 Ceiling mount detector with temperature monitoring - short range	PG9862	PG8862	
PGx872 Ceiling mount detector with temperature monitoring - long range	PG9872	PG8872	
PGx902 Outdoor curtain PIR	PG9902	PG8902	
PGx904(P) PIR motion detector with optional animal resistance	PG9904(P)	PG8904(P)	
PGx914(P) PIR motion detector with temperature monitoring	PG9914(P)	PG8914(P)	
PGx924 Curtain PIR motion detector	PG9924	PG8924	
PGx934(P) PIR motion detector with camera	PG9934(P)	PG8934(P)	

Table 2: Compatible devices

Modules	UL/ULC Listed	EN50131 Grade 2 certified	EN50131 Grade 3 certified
PGx944 Outdoor PIR motion detector with camera and anti-masking	PG9944	PG8944	
PGx974(P) Mirror optic PIR motion detector	PG9974(P)	PG8974(P)	
PGx984(P) Dual technology (PIR and MW) with anti-masking	PG9984(P)	PG8984(P)	
PGx994 Outdoor PIR motion detector with anti-masking	PG9994	PG8994	
PGx307 Recessed door/window contact	PG9307	PG8307	
PGx312 Outdoor contact with aux, temperature monitoring and anti-mask	PG9312	PG8312	
PGx945 Door/window contact with auxiliary input	PG9945	PG8945	
PGx975 Vanishing door/window contact	PG9975	PG8975	
PGx912 Glassbreak detector	PG9912	PG8912	
PGx922 Glassbeak detector	PG9922	PG8922	
PGx935 Shock detector with auxiliary input	PG9935	PG8935	
PGx985 Flood detector	PG9985	PG8985	
PGx905 Temperature detector	PG9905	PG8905	
PGTEMP-PROBE Temperature probe extender (requires PGx905)	PGTEMP-PROBE		
PGx913 CO detector (US only)	PG9913	PG8913	
PGx933 CO detector with temperature monitoring	PG9933	PG8933	

Table 2: Compatible devices

Modules	UL/ULC Listed	EN50131 Grade 2 certified	EN50131 Grade 3 certified
PGx936 Smoke/heat detector with temperature monitoring	PG9936	PG8936	
PGx901 Indoor siren	PG9901	PG8901	
PGx911 Outdoor siren	PG9911	PG8911	
PGx920 Wireless repeater	PG9920	PG8920	
PGx938 one-button panic key	PG9938	PG8938	
PGx949 two-button panic key	PG9949	PG8949	
PGx929 four-button panic key	PG9929	PG8929	
PGx939 four-button panic key	PG9939	PG8939	
PGx303 Magnetic contact	PG9303	PG8303	
PGx309 Commercial magnetic contact <i>ⓘ</i> Note: The PGx309 is supported with HSMHOST version 1.33 or higher.	PG9309	PG8309	
Central station receivers			
SG-System I, II, III, IV, 5	SG-System I, II, III, IV, 5		

Hardwired devices	
<p>2-wire smoke detector: x = A, B, or C</p> <p>A = ULC listed models</p> <p>B = UL listed models</p> <p>C = European and Australian models</p> <p>L = Remote LED output</p> <p>R = Auxiliary form C relay</p> <p>S = Sounder</p> <p>T = Temperature sensor</p>	<p>FSA-210x^{UL}</p> <p>FSA-210xT^{UL}</p> <p>FSA-210xS^{UL}</p> <p>FSA-210xST^{UL}</p> <p>FSA-210xLST^{UL}</p> <p>FSA-210xR^{UL}</p> <p>FSA-210xRT^{UL}</p> <p>FSA-210xRS^{UL}</p> <p>FSA-210xRST^{UL}</p> <p>FSA-210xLRST^{UL}</p>
<p>4-wire smoke detector: x = A, B, or C</p> <p>A = ULC listed models</p> <p>B = UL listed models</p> <p>C = European and Australian models</p> <p>L = Remote LED output</p> <p>R = Auxiliary form C relay</p> <p>S = Sounder</p> <p>T = Temperature sensor</p>	<p>FSA-410x^{UL}</p> <p>FSA-410xT^{UL}</p> <p>FSA-410xS^{UL}</p> <p>FSA-410xST^{UL}</p> <p>FSA-410xLST^{UL}</p> <p>FSA-410xR^{UL}</p> <p>FSA-410xRT^{UL}</p> <p>FSA-410xRS^{UL}</p> <p>FSA-410xRST^{UL}</p> <p>FSA-410xLRST^{UL}</p>
<p>CO detector</p>	<p>CO-12/24^{UL}</p> <p>12-24SIR^{UL}</p> <p>FW-CO12^{UL}</p> <p>FW-CO1224^{UL}</p> <p>CO1224^{UL}</p>

Enclosures	
The PowerSeries Pro main board can be installed in the metal enclosures listed below. Tamper protection switches can be installed on all enclosures, including door opening protection and/or removal from the mounting position. Doors can be secured using screws or a keylock.	
HSC3010C (with hinged door)	18 Ga steel, white, dimensions 372 mm x 412 mm x 114 mm (14.6 in x 16.2 in x 4.5 in), weight: 4.2 kg (9.75 lb)
HSC3010CR (with hinged door)	18 Ga steel, red, dimensions 372 mm x 412 mm x 114 mm (14.6 in x 16.2 in x 4.5 in), weight: 4.5 kg (10.0 lb)
HSC3030CAR (with hinged door)	18 Ga steel (base) and 16Ga (door), white, dimensions 375 mm x 412 mm x 114 mm (14.8 in x 16.2 in x 4.5 in), weight: 5.2 kg (11.45 lb)
HSC3020C (with removable door)	18 Ga steel, white, dimensions 459 mm x 414 mm x 103 mm (18.1 in x 16.3 in x 4.1 in), weight: 4.3 kg (9.5 lb) no batteries, 12 kg (26.5 lb) with batteries (17Ah)
HSC3020CP (with removable door)	PC-ABS, white, dimensions 368 mm x 489 mm x 108 mm (14.5 in x 19.3 in x 4.3 in), weight: 2.3 kg (5.1 lb) no batteries, 7.7 kg (17.0 lb) with batteries (17Ah)
For EN50131-1 Grade 2 or Grade 3 compliant installations, all holes on the side of the cabinets shall be covered (plugged) if unused. The equipment enclosure must be secured to the building structure before operation. Use four screws (appropriate for the wall material on which it is attached) inserted through the four mounting holes provided in the back of the enclosure base.	

Installation

Before installing the equipment

Ensure your package includes the following items:

- Installation and user guides
- HS3032/HS3128/HS3248 alarm controller
- Power supply

Select a location that is

- within an environment that provides a pollution degree max 2, over voltages category II.
- non-hazardous, indoor locations only.
- near a telephone socket and power outlet.
- free from vibration and shock.
- free from exposure to direct sunlight, excessive heat, moisture, vapors, chemicals or dust.
- flat and stable that allows adequate working room for external wiring.

Do not

- Connect the alarm controller to the same circuit as large appliances.
- Install this equipment near water. (e.g. bathtub, sink, wet basement, swimming pool).
- Install this equipment and accessories in areas where risk of explosion exists.
- Connect this equipment to electrical outlets controlled by wall switches or automatic timers.

Avoid

- Interference sources.
- Installing equipment near heaters, air conditioners, ventilators, and refrigerators.
- Locating equipment close to or on top of large metal objects.

Overview of installation process

The steps below are provided to assist with the installation of the alarm system. Read over this section to get an overall understanding of the order of installation. Working from this plan can help reduce problems and reduce the overall time required for installation.

Step	Description
Create a layout	Draw a rough sketch of the site and include all alarm detection devices, zone expanders, keypads and other required modules.
Mount the panel	Decide on a location for the alarm panel and secure it to the wall using suitable mounting hardware. See Mounting the enclosure
Wire the alarm controller	Wire each of the modules to the alarm controller following the guidelines provided in Corbus wiring

Step	Description
Wire zones	Complete all zone wiring. Follow the guidelines provided in Zone wiring to connect zones using normally closed loops, single EOL resistor, double EOL resistors, triple EOL resistors, fire zones, and keyswitch arming zones.
Complete wiring	Complete all other wiring including bells or sirens, telephone line connections, ground connections, Ethernet connection or any other wiring necessary. Follow the guidelines provided in Terminal descriptions .
Power up the control panel	Once all zone and alarm controller wiring is complete, connect the battery before applying AC, and power up the system. The alarm controller will not power up if only the battery is connected.
Enroll keypads and modules	All keypads must be enrolled in order to operate on the system. To enroll the first keypad. See Enrolling the first keypad . To enroll optional keypads, enter installer programming section [902][000]. For more information, see Module Programming .
Confirm module supervision	By default, all modules are supervised upon installation. Supervision is enabled at all times. To confirm that each module is properly supervised, see [903] Confirm Module .
Enroll wireless devices	Wireless devices are enrolled via the wireless transceiver module (HSM2HOSTx) or RF keypad and Installer programming section [804]. To enroll wireless devices, see [804] Wireless Programming .
Program the system	Programming provides a complete description of how to program the alarm controller. It contains complete descriptions of the various programmable features and options. Fill out the programming worksheets starting at completely before attempting to program the system.
Test the system	Test the panel completely to ensure that all features and functions operate as programmed.

Alarm controller installation

Begin the installation by mounting the alarm controller in the metal enclosure using the stand-offs provided. Optional modules, such as the HSM3408, can also be mounted in the enclosure. Install hardware in the sequence indicated on the following pages.

Mounting the enclosure

This section provides basic instructions for wall-mounting the available PowerSeries Pro enclosures. Mount in a dry location, near an unswitched AC power source and Ethernet and phone connections.

- ❶ **Note:** Complete all wiring before applying AC or connecting the battery.
- ❷ **Note:** The weight of the enclosure and contents cannot be supported by drywall only. Use mounting hardware sufficient to support up to three times the panel weight, including equipment, cables, conduit and hardware (approximately 210 lbs/ 95 kg). Select hardware suitable for the mounting surface. Recommended minimum screw size: M4 (#8) x 4, 25.4 mm (1 inch) long, pan head.

To mount the enclosure, complete the following steps:

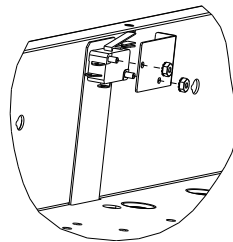
1. Position the enclosure in the mounting location and mark the two top screw holes and the tamper bracket hole.
2. Remove the enclosure, then install the two top screws part way and an anchor for the tamper bracket, if necessary. Do not mount the tamper bracket directly into drywall.
3. Hang the enclosure on the installed screws then mark the two bottom mounting holes.
4. Remove the enclosure from the wall and install the components in the following order:
 - a. Plastic standoffs for alarm controller and optional modules
 - b. Tamper switch and bracket
 - c. Power supply, including GND connection for HSC3010C, HSC3010CR, and HSC3030CAR enclosures (see diagram).

① **Note:** The ground screw mounts from the back of the cabinet.

5. Hang the enclosure on the top two screws again then fasten the tamper bracket to the wall.
6. Install the two bottom screws, ensure that all four screws are securely tightened.
7. Install the alarm controller. For models HSC3010C, HSC3010CR, HSC3030CAR and HSC3020C enclosures, use the supplied metal standoff and screw in bottom-right mounting hole as indicated in Figure 2-1.
8. Install optional modules and wire according to the instructions provided with the module.
9. Wire the tamper switch into any available zone. Configure the tamper for normally closed (NC) supervision. Zone must be programmed for 24-hour latching or non-latching tamper.
10. Install the batteries only after the enclosure has been permanently secured to the wall.

① **Note:** For NFA2P certified systems, when using the cellular communicator 3G9080-EU, install tamper cover part number 09000996. See Figure 1.

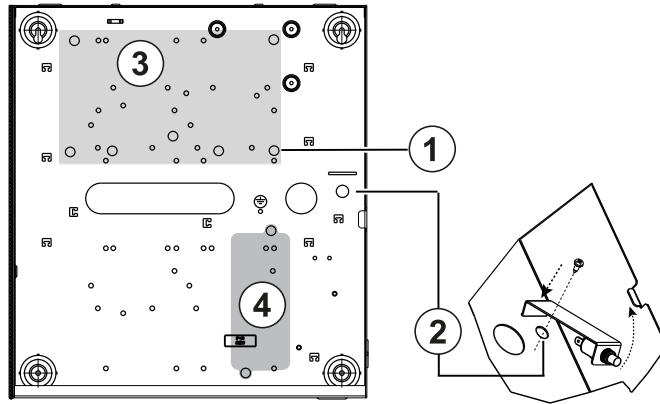
Figure 1: Installing the tamper cover



Wall mounting HSC3010C/ HSC3010CR/ HSC3030CAR enclosures

The following diagram indicates the mounting location of the alarm controller PCB, power supply module and tamper bracket inside HSC3010C/ HSC3010CR/ HSC3030CAR enclosures.

Figure 2: HSC3010C, HSC3010CR, HSC3030CAR enclosures



Callout	Description
1	Metal standoff
2	Tamper mounting location
3	Alarm controller PCB location
4	Power supply module location

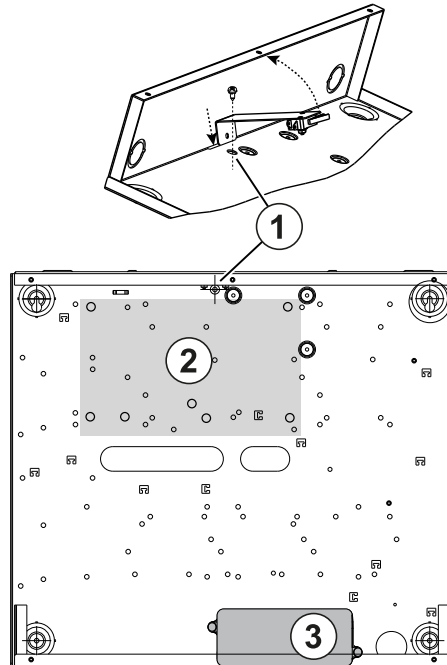
⚠ WARNING: Before mounting the metal enclosure, ensure that the enclosure ground wire has been installed.

📌 Note: Use metal standoff and screw in the position indicated. Ensure screw and standoff are tightly secured to establish earth ground connection for the PCB.

Wall mounting the HSC3020C enclosure

The following diagram indicates the mounting location of the alarm controller PCB, power supply module and tamper bracket inside the HSC3020C enclosure.

Figure 3: HSC3020C enclosure



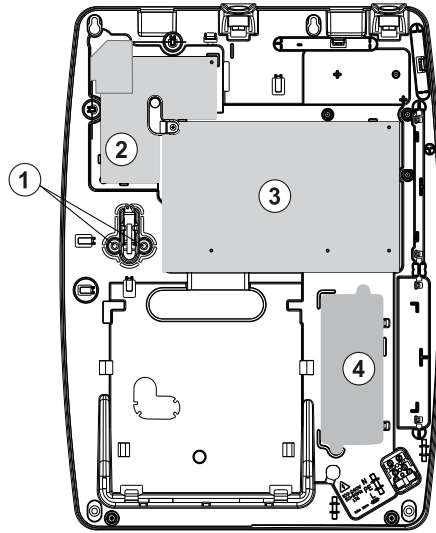
Callout	Description
1	Tamper mounting location
2	Alarm controller PCB location
3	Power supply module location

- ⓘ **Note:** Before mounting the metal enclosure, ensure that the enclosure ground wire has been installed (refer to instructions in this manual).
- ⓘ **Note:** When power adapter model HS65WPSNA is not mounted inside the enclosure model HSC3010C or HSC3020C, it must be attached to the mounting surface using appropriate screws inserted through the mounting tabs on the module.

Wall mounting the HSC3020CP enclosure (EU only)

The following diagram indicates the mounting location of the alarm controller PCB, wireless receiver, power supply module and tamper bracket inside the HSC3020CP enclosure.

Figure 4: HSC3020CP enclosure



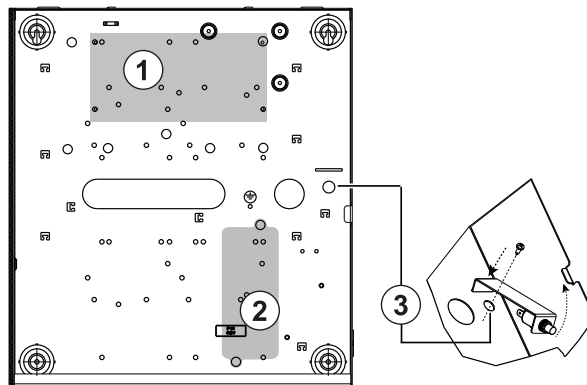
Callout	Description
1	Tamper screws
2	Wireless receiver module
3	Alarm controller PCB
4	Power supply module

ⓘ **Note:** The HSC3020CP is used only for EN50131 and NFA2P certified installations.

HSM3204CX/HSM3350 mounting location in HSC3010C

The following diagram indicates the mounting location of the HSM3204CX/HSM3350, power supply module and tamper bracket inside the HSC3010C/ HSC3010CR/ HSC3030CAR and HSC3020 enclosures.

Figure 5: HSM3204CX/HSM3350 mounted in HSC3010C, HSC3010CR, HSC3030CAR enclosures

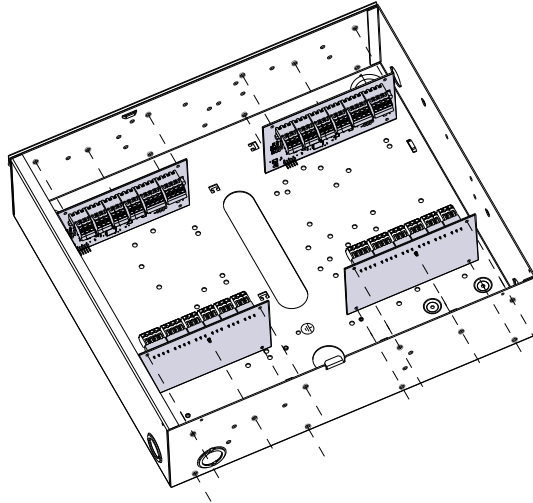


Callout	Description
1	Alarm controller PCB
2	Power supply module
3	Tamper mounting location

HSM3408 in HSC3010 enclosure

The following diagram indicates the available mounting locations of the HSM3408 inside the HSC3020C enclosure.

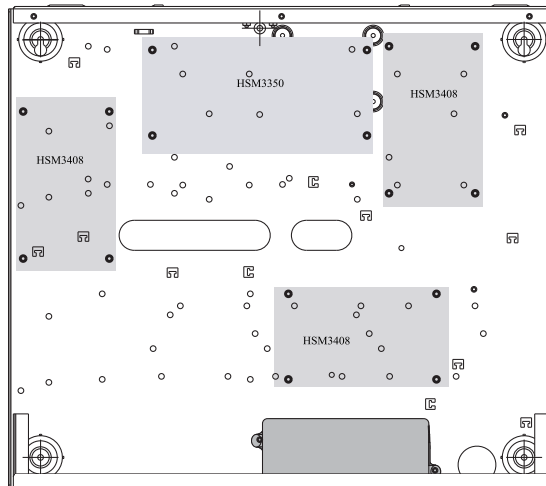
Figure 6: HSM3408 in HSC3010C enclosure



HSM3408 and HSM3350 mounting in HSC3020C enclosure

The following diagram indicates the available mounting locations of the HSM3350, HSM3408 and power supply module inside the HSC3020C.

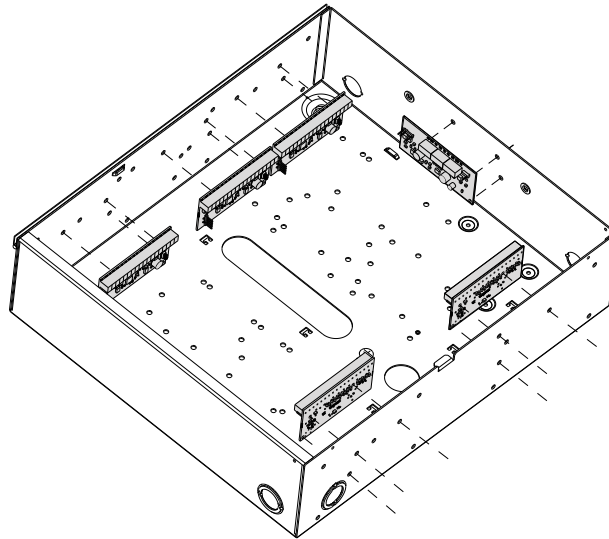
Figure 7: HSM3408 and HSM3350 modules in HSC3020C enclosure



HSM2108/HSM2208 mounting locations in HSC3010 enclosure

The following diagram indicates all available mounting locations of the HSM2108/HSM2208 inside HSC3010C/ HSC3010CR/ HSC3030CAR and HSC3020 enclosures.

Figure 8: HSM2108/HSM2208 mounted in HSC3010C, HSC3010CR, HSC3030CAR enclosures



General wiring instructions

⚠ WARNING: Disconnect AC power before servicing.

To connect the wiring for the PowerSeries Pro, complete the following steps:

1. Insert the standoffs into the cabinet mounting holes in the desired location. Snap into place.
2. Position circuit board over the standoffs. Press firmly on board to snap into place.
3. Route the AC line into the enclosure through the provided opening.
4. Route the DC wires to the alarm controller.
5. Route wiring for modules/devices into the enclosure through provided openings. Remove knockouts in the cabinet as required.
6. Wire the tamper switch to any Corbus zone. Program zone as 24-hour latching or non-latching tamper. Supports NC, EOL or DEOL supervision.
7. Use cable ties to secure all wires to the enclosure.

① **Note:** For the HSC3030CAR attack-resistant enclosure, cover all unused holes with plastic plugs that are shipped with the cabinet.

① **Note:** Do not connect power adapter module to receptacle controlled by a switch.

Power supply wiring

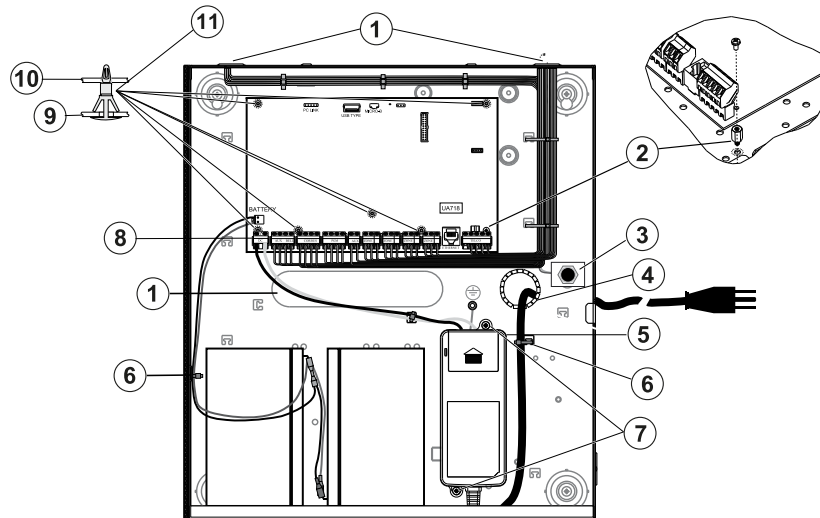
The power supply adapter can be mounted outside the cabinet. Use the following guide to determine suitable distance and gauge:

Distance (m / ft)	Gauge (AWG)
2 / 6.5	22
3 / 10	20
4 / 13	18

HS3032/HS3128/HS3248 in HSC3010C NA wiring diagram

This diagram shows the routing of power limited and non-power limited wiring inside the enclosure. The battery leads and AC cord are non-power limited, all other wiring is power limited.

Figure 9: Panel wiring for HSC3010C



Callout	Description
1	Power limited wiring entry/exit point
2	Metal standoff
3	Tamper switch and mounting bracket
4	Plastic grommet strip (not supplied)
5	Power adapter
6	Cable tie (not supplied)
7	Power adapter mounting screws
8	DC wiring from power adapter to the alarm controller
9	Cabinet
10	PC board
11	Standoff

Mounting the HSC3010C

For HSC3010C installations, complete the following steps:

- If mounting the power supply inside the cabinet, use supplied hardware.
 - ⓘ **Note:** Minimum 1/4-inch (6.4 mm) separation must be maintained at all points between battery/AC wiring and all other wiring connections. Do not route any wiring over circuit boards. Maintain at least 1 inch (25.4 mm) separation.
- Install the grommet strip (available separately – p/n 57000933) into the opening on back of cabinet.. Route the AC cable out of the enclosure through the opening indicated in the diagram.

3. If mounting the power supply outside the enclosure, attach it to the wall using suitable hardware. Route DC wires into the enclosure and secure them with cable ties.
4. Use metal standoff and screw in position indicated. Ensure screw and standoff are tightly secured to establish earth ground connection.

① **Note:** For ULC commercial fire applications, use enclosure model HSC3010CR.

Power supply

Primary: 120 VAC, 60 Hz, Class VI; Secondary: 18 VDC, 3.6 A

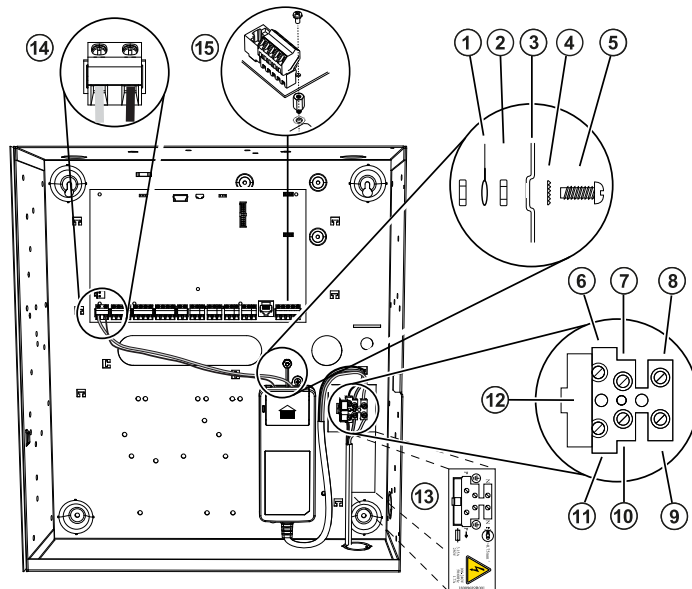
Power supply adapter module: HS65WPSNA

① **Note:** Do not connect the power adapter module to receptacle controlled by a switch.

HS3032/HS3128/HS3248 in HSC3010C wiring diagram (Argentina only)

This diagram indicates the installation of components in the HSC3010C enclosure.

Figure 10: HS3032/HS3128/HS3248 in HSC3010C wiring (Argentina)



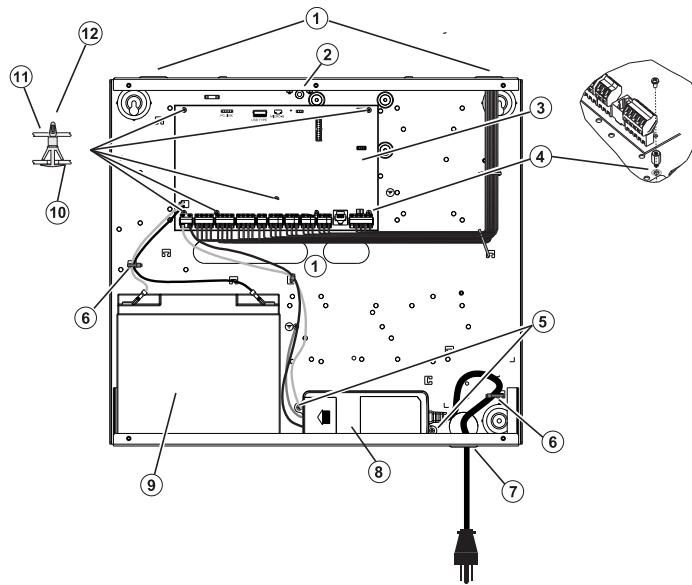
Callout	Description
1	Earth ground connection. Wire to the power adapter EGND connection when this power adapter is mounted in the cabinet.
2	Nut
3	Enclosure
4	Star washer
5	Bolt
6	To power adapter (black - live)
7	To power adapter (green - EGND)
8	To power adapter (white - neutral)
9	AC in (neutral)
10	EGND
11	AC in (live)

Callout	Description
12	Fuse (replace the fuse with one of the same type; 20mm, rated 250V / 3.15A slow blow)
13	Add mylar label where shown
14	Connect power supply to DC +/- on the alarm controller
15	Use metal standoff and screw into position indicated. Ensure screw and standoff are tightly secured to establish earth-ground connection.

HS3032/HS3128/HS3248 in HSC3020C NA wiring diagram

This diagram shows routing of power limited and non-power limited wiring inside the enclosure. Battery leads and AC cord are non-power limited. All other wiring is power limited.

Figure 11: Panel wiring for HSC3020C (for North America)



Callout	Description
1	Power limited entry/exit points
2	Tamper switch and mounting bracket
3	HS3032/HS3128/HS3248
4	Metal standoff. Ensure screw and standoff are tightly secured to establish earth ground connection.
5	Power supply mounting screws
6	Cable ties (not supplied)
7	Grommet strip (not supplied)
8	Power adapter
9	Battery (4 Ah/7Ah/2 x 7 Ah/17 Ah)
10	Cabinet
11	PC board
12	Standoff

Mounting the HSC3020C

1. If mounting the power supply inside the cabinet, attach it as per Figure 2-9 using supplied hardware.
 - ⓘ **Note:** Minimum 1/4-inch (6.4 mm) separation must be maintained at all points between battery/AC wiring and all other wiring connections. Do NOT route any wiring over circuit boards. Maintain at least 1 inch (25.4 mm) separation.
2. Install the grommet strip (available separately - p/n 57000933) into the opening on back of cabinet as indicated in figure 2-4. Route the AC cable out of the enclosure through the opening indicated in the diagram.
3. If mounting the power supply outside the enclosure, attach it to the wall using suitable hardware. Route DC wires into the enclosure and secure them with cable ties. See Figure 2-9 for approved wire length/gauge.

Power supply

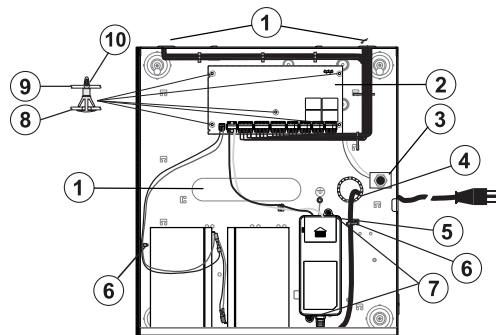
Primary: 120 VAC, 60 Hz, Class VI; Secondary: 18 VDC, 3.6 A

Power supply adapter module: HS65WPSNA

Installing the HSM3204CX in HSC3010C enclosure

The following diagram indicates the routing of power limited and non-power limited wiring inside the enclosure. Battery leads and AC cord are non-power limited. All other wiring is power limited.

Figure 12: HSM3204CX in HSC3010C enclosure



Callout	Description
1	Power limited wiring entry/exit point
2	HSM3204CX
3	Tamper switch and mounting bracket
4	Plastic grommet strip (not supplied, part 57000933)
5	Power adapter
6	Cable tie (not supplied)
7	Power adapter mounting screws
8	Cabinet
9	PC board
10	Standoff

Power supply

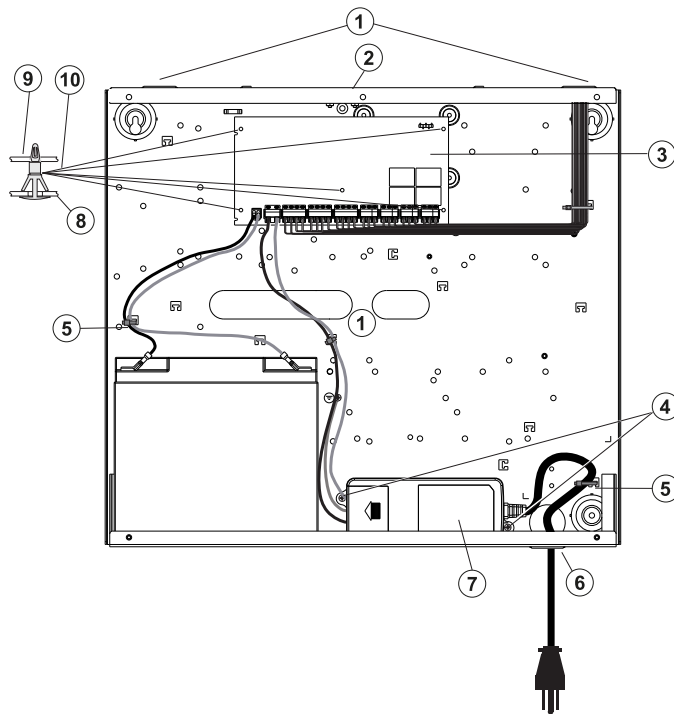
Primary: 120 VAC, 60 Hz, Class VI; Secondary: 18 VDC, 3.6 A

Power supply adapter module: HS65WPSNA

HSM3204CX in HSC3020C North American wiring diagram

This diagram shows routing of power limited and non-power limited wiring inside the enclosure. Battery leads and AC cord are non-power limited. All other wiring is power limited.

Figure 13: North American wiring for HSM3204CX in HSC3020C enclosure



Callout	Description
1	Power limited entry/exit points
2	Tamper switch and mounting bracket
3	HSM3204CX
4	Power supply mounting screws
5	Cable tie (not supplied)
6	Grommet strip (not supplied)
7	Power adapter
8	Cabinet
9	PC board
10	Standoff

Power supply

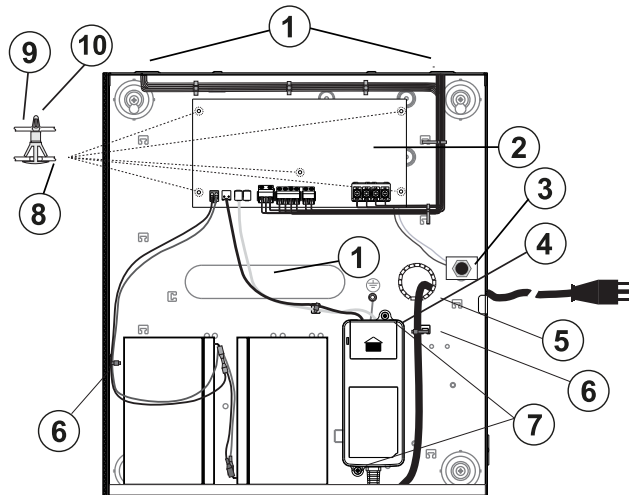
Primary: 120 VAC, 60 Hz, Class VI; Secondary: 18 VDC, 3.6 A

Power supply adapter module: HS65WPSNA

Installing the HSM3350 in the HSC3010C enclosure

The following diagram indicates the routing of power limited and non-power limited wiring inside the enclosure. Battery leads and AC cord are non-power limited. All other wiring is power limited.

Figure 14: HSM3350 in HSC3010C enclosure



Callout	Description
1	Power limited wiring entry/exit point
2	HSM3204CX
3	Tamper switch and mounting bracket
4	Power adapter
5	Plastic grommet strip (not supplied)
6	Cable tie (not supplied)
7	Power adapter mounting screws
8	Cabinet
9	PC board
10	Standoff

Power supply

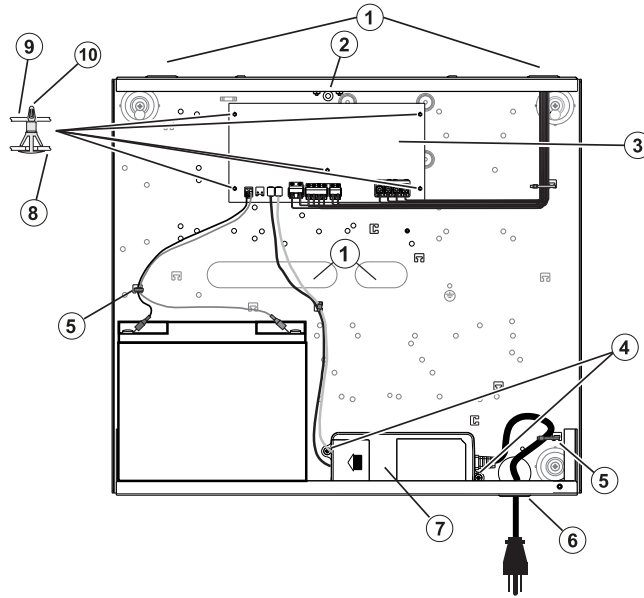
Primary: 120 VAC, 60 Hz, Class VI; Secondary: 18 VDC, 3.6 A

Power supply adapter module: HS65WPSNA

North American wiring for HSM3350 in the HSC3020C enclosure

This diagram shows routing of power limited and non-power limited wiring inside the enclosure. Battery leads and AC cord are non-power limited. All other wiring is power limited.

Figure 15: North American wiring for HSM3350 in the HSC3020C enclosure



Callout	Description
1	Power limited wiring entry/exit point
2	Tamper switch and mounting bracket
3	HSM3350
4	Power adapter mounting screws
5	Cable tie (not supplied)
6	Grommet strip (not supplied)
7	Power adapter
8	Cabinet
9	PC board
10	Standoff

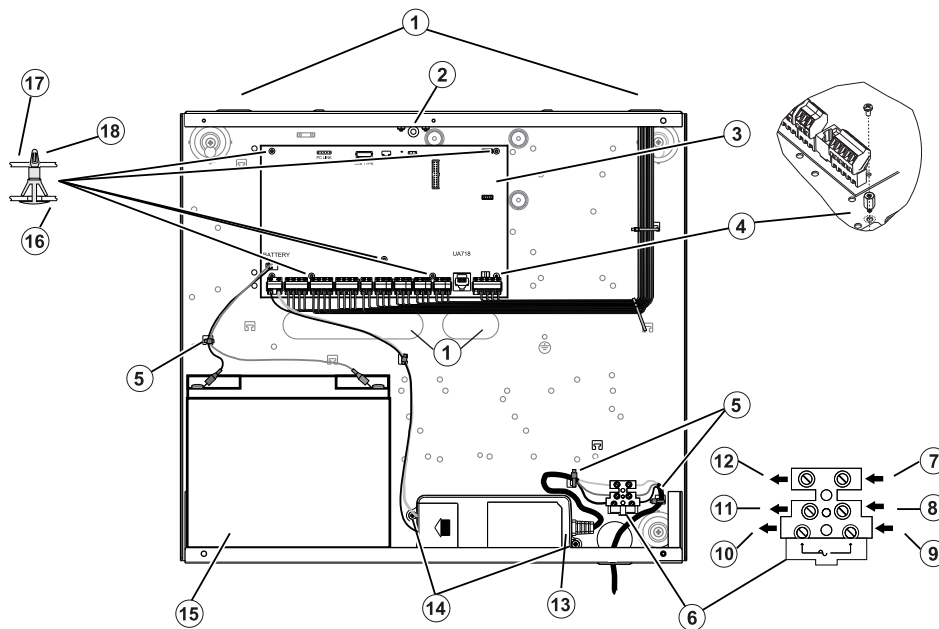
Power supply

Primary: 120 VAC, 60 Hz, Class VI; Secondary: 18 VDC, 3.6 A

Power supply adapter module: HS65WPSNA

Installing the HS3032/HS3128/HS3248 in the HSC3020C enclosure (EU models)

Figure 16: Panel wiring for HSC3020C (EU) enclosure



Callout	Description
1	Power limited wiring entry/exit point
2	Tamper switch and mounting bracket
3	HS3032/HS3128/HS3248. Use No. 14 to 22 AWG size wire
4	Metal standoff. Ensure the screw and standoff are tightly secured to establish earth ground connection.
5	Cable tie (not supplied)
6	Fuse (replace fuse with same type (20 mm) rated 250 V/3.15 A slow blow)
7	AC in (blue - neutral)
8	EGND (green/yellow)
9	AC in (brown - live)
10	To power adapter module (brown - live)
11	To power adapter module (green/yellow - EGND)
12	To power adapter module (blue - neutral)
13	Power adapter
14	Power adapter mounting screws
15	Battery: 1 x 17 Ah / 12 V or for NFA2P 1 x 18 Ah / 12 V sealed lead acid battery type
16	Cabinet
17	PC board
18	Standoff

Installing the HSC3020C

For HSC3020C installations, complete the following steps:

1. Route the AC line through the opening on the bottom of the cabinet and secure using cable tie as shown in figure 2-14.
2. Connect AC wires to the fuse block as shown.

ⓘ **Note:** Position cable ties over cable insulation, not directly on the exposed AC wires.

⚠ **WARNING:** Incorrect connections may result in PTC failure or improper operation. Inspect wiring and ensure connections are correct before applying power.

EN installation notes

⚠ **WARNING:** High voltage: Disconnect AC power and telephone lines before servicing.

1. The connection to the mains supply must be made as per the local authorities' rules and regulations: In the UK as per BS6701. An appropriate disconnect device must be provided as part of the building installation. Where it is not possible to rely on identification of the NEUTRAL in the AC MAINS SUPPLY, the disconnecting device must disconnect both poles simultaneously (LINE and NEUTRAL). The device shall disconnect the supply during servicing.
2. The equipment enclosure must be secured to the building structure before operation.
3. Dispose of used batteries according to the waste recovery and recycling regulations applicable to the intended market.
4. Two batteries may be used to provide the required backup time.

The following modules are optional:

- One slot for a HSM3350 with one 17Ah battery and internally mounted HS65WPS power supply
- Two slots for HSM3408, HSM2955, HSM3204CX

Power supply

Primary: 100 VAC to 240 VAC, 50 Hz to 60 Hz, Class 6; Secondary: 18 VDC, 3.6 A

Power supply adapter module: HS65WPS

Installing and wiring in the HSC3020CP

The HSC3020CP enclosure ships with the PCB assembly, HS65WPS power adapter, fuse block and tamper switch, to be installed as shown in Figure 17. The cellular communicator (if provided), case tamper switch, battery, and AC must be wired as shown in Figure 17 and Figure 18. Use wire size 14 to 22 AWG.

⚠ **WARNING:** Connect AC power and telephone lines only after all modules are installed and wiring is complete.

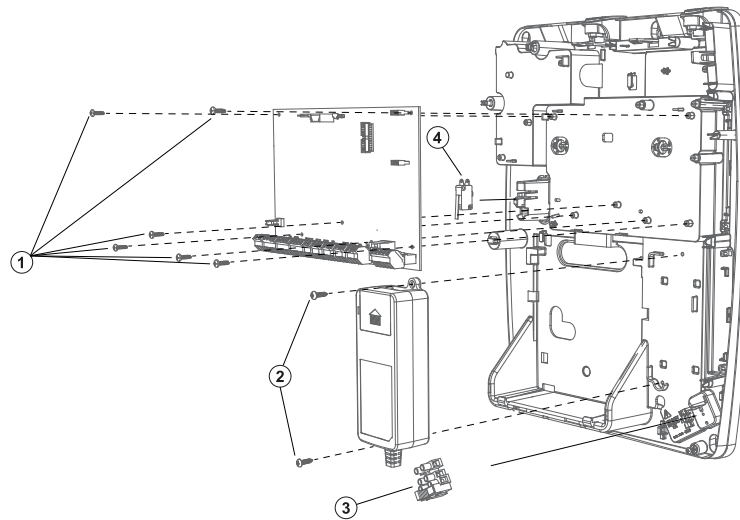
ⓘ **Note:** For NFA2P certified systems all components are pre-installed in the enclosure.

To install the components in the HSC3020CP enclosure, complete the following steps:

1. Use the six number 4 sized screws provided to screw the PCB into the enclosure.
2. Use the two number 6 sized screws provided to screw the power adapter into the enclosure.
3. Press the fuse block into the enclosure. For more information, see callout 3 in Figure 17.
4. Press the tamper switch into the bracket in the enclosure. For more information, see callout 4 in Figure 17.

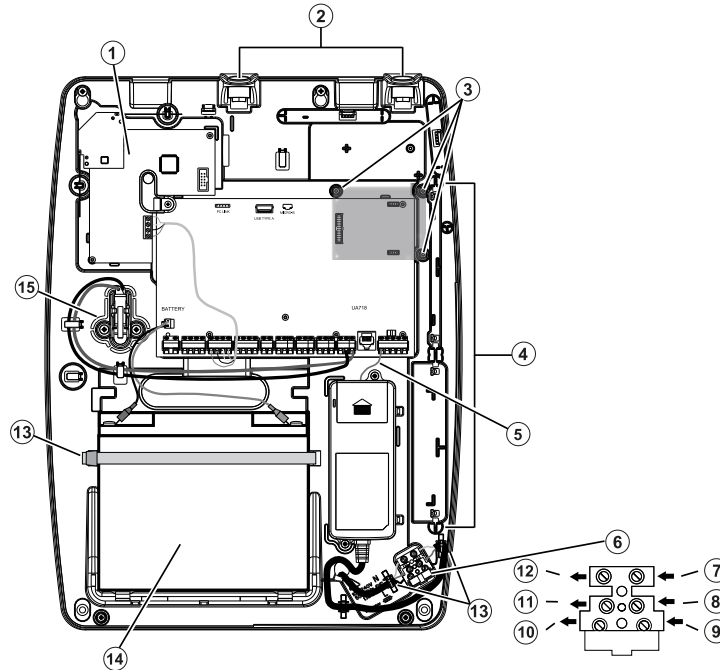
5. Wire the tamper switch to the COM & ZONE terminals on the control panel. For more information, see callout 15 in Figure 18.
6. Route the AC line in through the opening on the bottom of the cabinet and secure using cable tie as shown in Figure 18.
7. Connect AC wires to the fuse block as shown in Figure 18.
 - ① **Note:** Position cable ties over cable insulation, not directly on the exposed AC wires.
8. Wire the power adapter to the terminal block. For more information, see callout 7 to callout 12 in Figure 18.
 - ① **Note:** Use cable ties to secure the power adapter cable. For more information, see callout 5 in Figure 18.
9. Connect the ground wire from the power adapter to the control panel. For more information, see callout 14 in Figure 18.

Figure 17: Installing components in the HSC3020CP enclosure



Callout	Description
1	Number 4 sized screws
2	Number 6 sized screws
3	Fuse block
4	Tamper switch (ensure correct orientation is observed)

Figure 18: HSC3020CP wiring

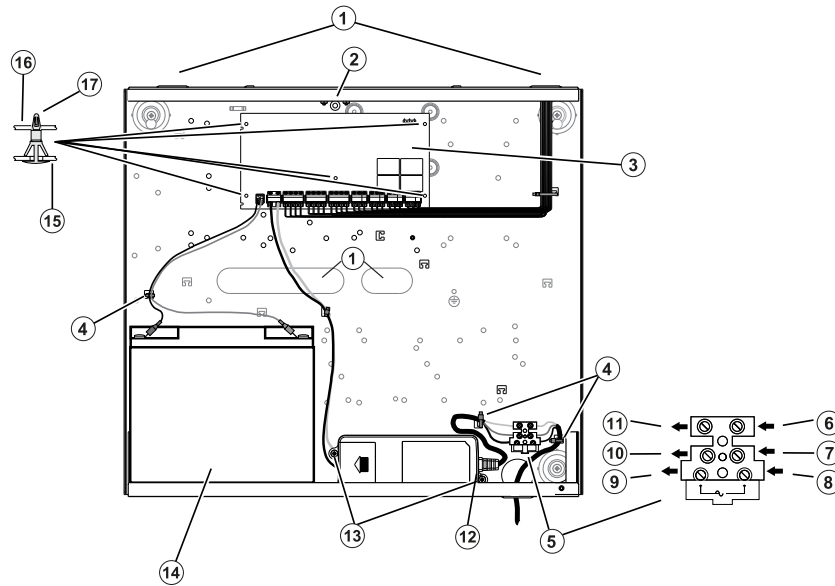


Callout	Description
1	HSM2HOST8 transceiver module
2	Antenna ports
3	Cellular communicator attachment points (use supplied screws)
4	Expansion module slots (x2)
5	Power adapter ground wire
6	Fuse (replace the fuse with the same type; 20 mm, rated 250 V/3.15A slow blow)
7	To power adapter (blue - neutral)
8	To power adapter (green/yellow - EGND)
9	To power adapter (brown - live)
10	AC in (brown - live)
11	EGND (green/yellow)
12	AC in (blue - neutral)
13	Secure with cable ties through provided channel
14	Sealed lead acid battery (1 x 17Ah/12V; for NFA2P 1 x 18Ah/12V)
15	Tamper switch (wire to COM and ZONE)

HSM3204CX in HSC3020C wiring diagram (EU)

This diagram shows routing of power limited and non-power limited wiring inside the enclosure. Battery leads and AC cord are non-power limited. All other wiring is power limited.

Figure 19: HSM3204CX wiring for HSC3020C enclosure



Callout	Description
1	Power limited wiring entry/exit point
2	Tamper switch and mounting bracket
3	HSM3350
4	Cable ties
5	Fuse (replace fuse with same type 20 mm rated 250 V / 3.15 A slow blow)
6	AC in (blue/neutral)
7	EGND (green/yellow)
8	AC in (brown - live)
9	To power adapter module (brown - live)
10	To power adapter module (green/yellow - EGND)
11	To power adapter module (blue - neutral)
12	Power adapter
13	Power adapter mounting screws
14	Battery: 1 x 17 Ah / 12 V or for NFA2P 1 x 18 Ah / 12 V sealed lead acid battery type
15	Cabinet
16	PC board
17	Standoff

Power supply

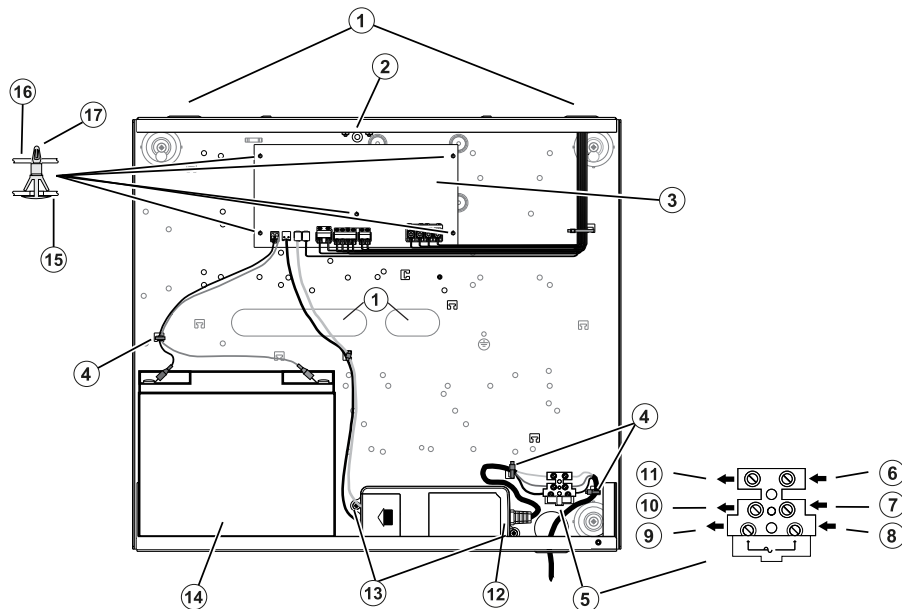
Primary: 100 VAC to 240 VAC, 50 Hz to 60 Hz, Class 6; Secondary: 18 VDC, 3.6 A

Power supply adapter module: HS65WPS

HSM3350 in HSC3020C wiring diagram (EU)

The HSM3350 is a supervised 3 A, 12 VDC power supply module with dual AUX outputs and dual battery backups. The 4-wire Corbus connection provides communication between the module and alarm panel. Connect the RED, BLK, YEL and GRN terminals to the Corbus terminals on the alarm controller.

Figure 20: HSM3350 wiring for HSC3020C enclosure



Callout	Description
1	Power limited wiring entry/exit point
2	Tamper switch and mounting bracket
3	HSM3350
4	Cable ties
5	Fuse (20mm, rated 250 V / 3.15 A slow blow; replace fuse with same type)
6	AC in (blue - neutral)
7	EGND (green/yellow)
8	AC in (brown - live)
9	To power adapter module (brown - live)
10	To power adapter module (green/yellow - EGND)
11	To power adapter module (blue - neutral)
12	Power adapter
13	Power adapter mounting screws
14	Battery: 1 x 17 Ah / 12 V or for NFA2P 1 x 18 Ah / 12 V sealed lead acid battery type
15	Cabinet
16	PC board
17	Standoff

Terminal descriptions

The following terminals are available on the PowerSeries Pro alarm controller.

Table 3: Terminal descriptions

Terminal	Description
BAT+, BAT-	Battery terminals. Use to provide backup power during a power outage and additional current when system demands exceed the power output of power adapter. Do not connect the battery until all other wiring is complete.
DC +, DC -	The HS65WPS power adapter supplies 18 VDC power input to the alarm controller. ⓘ Note: CE/EN certified applications use power adapter HS65WPS. UL/ULC listed applications use power adapter HS65WPSNA. ULC Commercial Fire Listed applications and ULC Commercial Burg Security Level 4 applications use power adapter HS65WPSNA.
AUX+, AUX-	Auxiliary terminals. Use to connect power detectors, relays, LEDs, etc. (2 A max). Connect the positive side of device to one of the three AUX+ terminals and the negative side to AUX- or COM.
BELL+, BELL-	Bell/Siren power (700 mA continuous, 2A max short term). Connect the positive side of any alarm warning device to BELL+, the negative side to BELL-. ⓘ Note: For EN50131 and UL/ULC listed applications, use maximum 700 mA load on the BELL output.
RED, BLK, YEL, GRN	Corbus terminals. Use to provide power and communication between the alarm controller and connected modules. Each module has four Corbus terminals that must be connected to the Corbus.
PGM1 to PGM4	Programmable output terminals. Use to activate devices such as LEDs, relays, buzzers, etc. (PGM1, PGM4: 100 mA; PGM2: 300 mA or can be configured for use as a 2-wire smoke detector interface, max loop current 100 mA; PGM3: 300 mA (negative trigger) or 1 A (positive trigger)
Z1 to Z8 COM	Zone input terminals. Each zone should have one detection device; however, multiple detection devices can be wired to the same zone.
EGND	Earth ground connection
ETHERNET	Ethernet port
TIP, RING, T-1, R-1	Telephone line terminals

Wire routing for power & non-power limited

Wire entry for power limited wiring must be separated by a different entry access from non-power limited wiring.

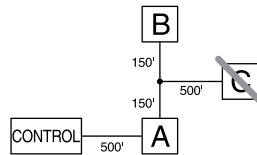
Corbus wiring

The RED and BLK Corbus terminals are used to provide power while YEL and GRN are used for data communications. The 4 Corbus terminals of the alarm controller must be connected to the 4 Corbus terminals or wires of each module. The following conditions apply:

- Corbus should be run with 18 to 22 AWG quad, two pair twisted preferred.
- The modules can be home run to the panel, connected in series or can be T-tapped.

- Do not use shielded wire for Corbus wiring.
- ① **Note:** Any module can be connected anywhere along the Corbus. Separate wire runs for keypads, zone expanders etc. are not necessary.
- ① **Note:** No module can be more than 1000 ft / 305 m (in wire length) from the panel. **Do not use shielded wire for Corbus wiring.**

Figure 21: Corbus wiring



Module (A) is wired correctly as it is within 1000 ft / 305 m of the panel, in wire distance. Module (B) is wired correctly as it is within 1000 ft / 305 m of the panel, in wire distance. Module (C) is NOT wired correctly as it is farther than 1000 ft / 305 m from the panel. For models that require more than 1000 ft / 305 m from the main panel, a HSM3204CX power supply/Corbus extender can be used.

Current ratings

In order for the system to operate properly, the power output of the alarm controller and power supply modules cannot be exceeded. Use the following data to ensure that the available current is not exceeded.

Table 4: Table 5 System output ratings

Device	Output	Rating (12 VDC)
HS3032	AUX Corbus:	2 A. Subtract the listed rating for each keypad, expansion module and accessory connected to AUX or Corbus. At least 100 mA must be reserved for the Corbus.
HS3128		
HS3248	BELL:	700 mA continuous rating. 2 A. short term. Available only with standby battery connected. DO NOT exceed the 700 mA load for UL/ULC or EN certified applications.
HSM3350	AUX1: AUX2:	3 A. Subtract the listed rating for each keypad, expansion module and accessory connected to AUX.
HSM3408	AUX:	500 mA. Continuous rating. Subtract for each device connected. Subtract the total load on this terminal from the alarm panel AUX/Corbus output.
HSM3204CX	AUX/ Corbus:	2 A. Continuous rating. Subtract for each device connected.
HSM2208	AUX:	250 mA. Continuous rating. Subtract for each device connected. Subtract the total load on this terminal from the alarm panel AUX/Corbus output.
HSM2108	AUX:	100 mA. Subtract for each device connected. Subtract the total load on this terminal from the panel AUX/Corbus output.

Alarm controller current calculation

Maximum (standby or alarm)

AUX (2 A max. including PGMs 1-4)	
Corbus (2 A max.)***	
PCLink+ (200 mA)	
USB (500 mA max.)	
Cell module (20 mA idle)	
Total (must not exceed 2 A)	

*** For UL, ULC and Commercial Listed applications, the total standby and alarm current cannot exceed 2 A.

- ① **Note:** For EN50131, UL, ULC and Commercial Listed applications, the total standby and alarm current cannot exceed the values in Aux Loading and Battery Selection for the applicable type of installation.

Overcurrent trouble

If the total current of the panel internal components and all outputs exceeds a threshold of 2.1 A for a period longer than 5 minutes, an overcurrent trouble is generated. When the current goes below a 2.0 A threshold, the trouble restores. Do not exceed 2.0 A combined between AUX and Corbus.

- ① **Note:** Total current does not include bell current or battery charging.

Line loss

Voltage loss through wire resistance must be considered for all installations. To ensure proper operation, at least 12.5 VDC must be applied to all modules on the system (when AC is connected and the battery is fully charged). If less than 12.5 VDC is applied, system operation is adversely affected.

To correct the problem, try any or all of the following:

1. Connect a HSM2300/2204/3350/3204CX power supply between the alarm controller and the module to provide additional power to the Corbus.
2. Reduce the length of the Corbus run to the module.
3. Increase the gauge of wire.

Capacitance limits

An increase in capacitance on the Corbus affects data transmission and causes the system to slow down. Capacitance increases for every foot of wire added to the Corbus. The capacitance rating of the wire used will determine the maximum length of the Corbus.

For example, 22 gauge, non-shielded, 4 conductor wire has a typical capacitance rating of 20 pF per foot (which is 20 nF/1000 ft). For every 1000 feet of wire added – regardless of where it is run – the capacitance of the Corbus increases by 20 nF.

The following table indicates the total wire distance allowed for the capacitance rating of the wire used:

Table 5: Wire capacitance

Wire Capacitance per 1000 ft (300 m)	Total Corbus Wire Length
15 nF	5300 ft/1616 m
20 nF	4000 ft/1220 m
25 nF	3200 ft/976 m

Table 5: Wire capacitance

Wire Capacitance per 1000 ft (300 m)	Total Corbus Wire Length
30 nF	2666 ft/810 m
35 nF	2280 ft/693 m
40 nF	2000 ft/608 m

Installing modules

Remove all power from the system while connecting modules to the alarm controller.

Zone expanders

The main alarm controller has connection terminals for zones 1 to 8. Additional HSM2108 and HSM3408 zone expanders may be added to increase the number of zones on the system. Each zone expander consists of one group of 8 zones. At enrollment, the zone expander is automatically assigned to the next available 8-zone expander slot/Corbus expander slot. Connect the RED, BLK, YEL and GRN terminals to the Corbus terminals on the alarm panel. Board current draw: 30 mA.

Figure 22: HSM2108 zone expander

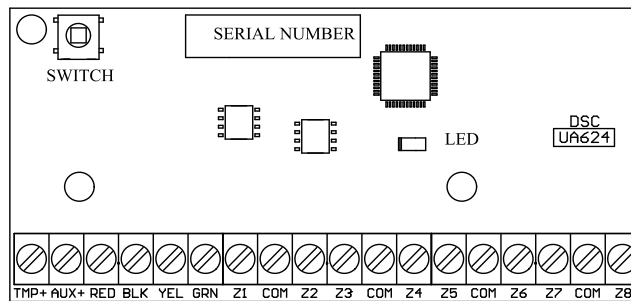
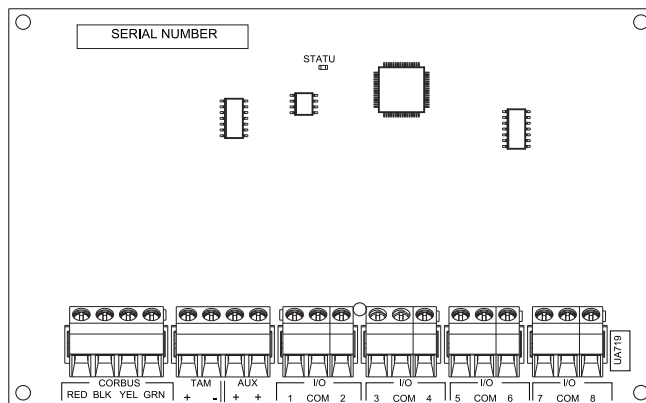


Figure 23: HSM3408 8-zone expansion



Installation requirements

Before you install the HSM3408, adhere to the following requirements:

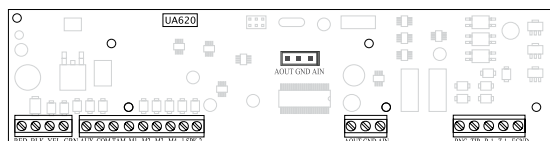
- For HSM3408 software versions 1.02 or newer, you must install a 1.2 k Ω bypass resistor between the CORBUS RED and AUX+ terminal blocks. The resistor keeps a short circuit on the HSM3408 AUX+ output and stops the output from impacting other devices that are connected to the Corbus terminals in the control panel or Corbus repeater.
 - ① **Note:** The resistor is preinstalled at the factory. Ensure that the resistor remains connected during the final installation stage of the HSM3408 module.
- To ensure that the module functions correctly, run the Corbus cable with a minimum length of 15 meters (49 ft) from the panel or Corbus repeater to the HSM3408 module.

Refer to the HSM2108 and HSM3408 installation sheets for more information.

2-way audio module

The HSM2955 2-way audio module provides Talk/Listen-in capability for the audio verification of alarms. The main alarm controller has a 3-pin analog audio link interface to connect the module.

Figure 24: HSM2955 2-way audio module

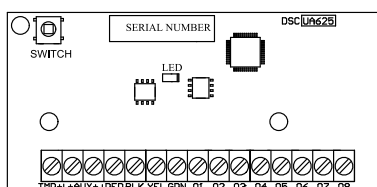


Output expander

The HSM2208 module is used to add up to 8 low-current programmable outputs to the alarm system.

The 4-wire Corbus connection is used by the panel to communicate with the module. Connect the RED, BLK, YEL and GRN terminals to the Corbus terminals on the alarm panel. Board current draw: 40 mA.

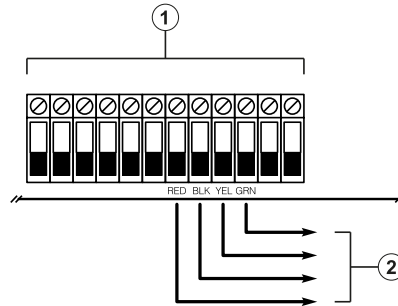
Figure 25: HSM2208 output expander



Wireless transceiver module

The HSM2HOSTx 2-way wireless module provides communication between wireless devices and the alarm controller. The HSM2HOST must be used with the HSC3020CP plastic enclosure, or in its own separate enclosure. Connect the HSM2HOSTx to the 4-wire Corbus of the alarm controller according to the following diagram. After you have completed the wiring, reconnect power to the security system. Board current draw: 35 mA

Figure 26: HSM2HOSTx wiring diagram



Callout	Description
1	Control panel
2	Corbus to HSM2HOST

Power supply wiring

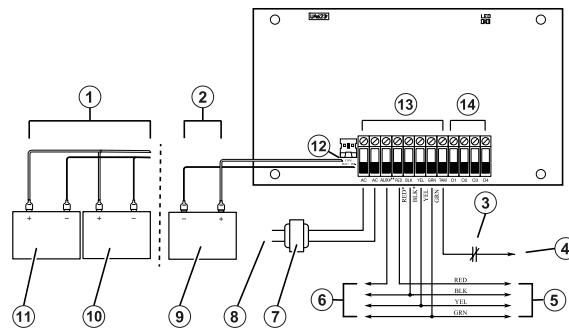
HSM2300/2204

The HSM2300/2204 power supply/high-current output module provides up to 1 A of additional current and can be used to add up to four programmable outputs (HSM2204 only) to the alarm system.

The 4-wire Corbus connection provides communication between the module and alarm panel. Connect the RED, BLK, YEL and GRN terminals to the Corbus terminals on the alarm controller. If O1 is not used, connect to Aux+ with a 1 K resistor. Board current draw is 35 mA. Battery standby capacity is at least 24 hours for fire applications. Recommended battery is DSC model BD7-12.

① **Note:** All terminals are Class 2 power limited, except battery leads.

Figure 27: HSM2300/2204 power supply wiring



Callout	Description
1	UL/ULC residential fire applications
2	Residential burglary applications
3	Tamper contact (normally closed)
4	To BLK
5	Corbus connection to control panel. RED, BLK 12 VDC at 20 mA.
6	AUX connection to expansion module. Refer to the Specifications Chart for maximum current draw.

Callout	Description
7	Transformer (16.5 VAC / 40 VA. PTD1640U / PTD1640); Class 2
8	Power adapter (120 VAC / 60 Hz). EU, South Africa, Australia, NZ, and so on, 230 VAC, 50 Hz / 60 Hz.
9	Battery (12 v, 7 Ah. Maximum battery charge current is 360 mA)
10	Battery 1 (12 v, 7 Ah. Maximum battery charge current is 360 mA)
11	Battery 2 (same rating as battery 1)
12	Red (+) to BAT+ ; Blk (-) to BAT-
13	Supervised
14	Unsupervised

HSM3350

The HSM3350 is a supervised 3 A, 12 VDC power supply module with dual AUX outputs and dual battery backups. The 4-wire Corbus connection provides communication between the module and alarm panel. Connect the RED, BLK, YEL and GRN terminals to the Corbus terminals on the alarm controller.

Switching Mode Power Adapter

Model HS65WPSNA is required for UL/ULC listed installations. It can be installed inside the metal enclosure model HSC3010C or outside of it, cord connected to AC mains. For ULC Commercial Fire or ULC Commercial Burglary Security Level IV applications use model HS65WPSNAS installed inside the metal enclosure models HSC3010CR or HSC3010C (using high voltage barrier kit), hardwired connection to AC mains.

Primary Input: 120 VAC / 50 Hz / 1.7 A max.

Output: 18 VDC / 3.6 A max.

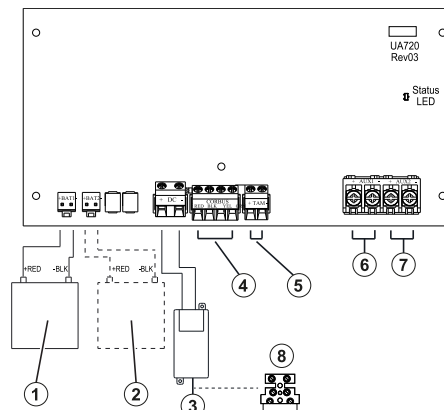
Model HS65WPS is required for CE/EN50131 certified applications. It shall be installed inside metal enclosure model HSC3020C, hardwired connections to AC mains.

Primary Input: 230 VAC / 60 Hz / 1.7 A max.

Output: 18VDC / 3.6 A max.

- ① **Note:** Fire and Security devices that require power from the HSM3350 shall be UL/ULC Listed for the intended application and operate over the range 10.8 VDC to 12.5 VDC.

Figure 28: HSM3350 power supply wiring



Callout	Component	Description
1	Battery 1	12 VDC. 4 Ah / 7 Ah / 17 Ah.
2	Battery 2	12 VDC. 7 Ah. BAT2 shall be enabled in programming.
3	Power adapter	Primary input 120 VAC, 60 Hz, 1.7 A, cord connected (UL/ULC applications). 230 VAC, 50 Hz, 1.7 A, hardwired (CE/EN50131 applications).
4	Corbus	Connects to the main control panel communications bus.
5	NC tamper contact	Connect to the tamper switch installed in the cabinet for door/cover removal, or removing from mounting location tamper detection.
6	AUX 1	10.8 VDC to 12.5 VDC, 3 A max. (UL/ULC applications). ⓘ Note: Aux output shared with Corbus.
7	AUX2	10 VDC to 14 VDC, 3 A max. supervised (EN50131 applications)
8	Fuse	For EU models only; 20 mm, rated 250V / 3.15A slow blow; replace the fuse with the same type.

ⓘ **Note:** All circuits are classified for UL installations as power limited/Class II power limited, except for the battery leads which are not power limited. Do not route any wiring over circuit boards. Maintain at least 1 in (25.4 mm) separation. A minimum of 0.25 in (6.4 mm) separation must be maintained at all points between power limited wiring and all other non-power limited wiring. Inspect wiring and ensure connections are correct before applying power.

ⓘ **Note:** Do not connect power adapter to a receptacle controlled by a switch.

Corbus repeater

The HSM3204CX is a Corbus repeater and isolator module with four high current relay outputs. The module has an on-board power supply to power Corbus.

Switching Mode Power Adapter

Model HS65WPSNA is required for UL/ULC listed installations. It can be installed inside or outside the metal enclosure, model HSC3010C, cord connected to AC mains. For ULC Commercial Fire or ULC Commercial Burg Security Level IV applications use model HS65WPSNAS, installed inside the metal enclosure model HSC3010CR or HSC3010C (using high voltage barrier kit), hardwired connection to AC mains.

Primary Input: 120 VAC / 50 Hz / 1.7 A max.

Output: 18 VDC / 3.6 A max.

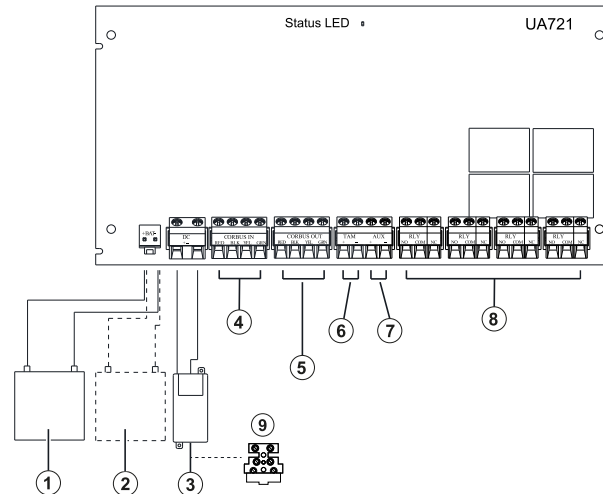
Model HS65WPS is required for CE/EN50131 certified applications. It shall be installed inside the metal cabinet model HSC3020C, hardwired connections to AC mains (see wiring diagram below).

Primary Input: 230 VAC / 60 Hz / 1.7 A max.

Output: 18 VDC / 3.6 A max.

ⓘ **Note:** Fire and Security devices that require power from the HSM3204CX shall be UL/ULC (or cUL) listed for the intended application and operate over the range 10.8 VDC to 12.5 VDC.

Figure 29: HSM3204CX Corbus repeater



Callout	Component	Description
1	Battery 1	12 VDC minimum 4/7/17 Ah
2	Battery 2	12 VDC minimum 7 Ah
3	Power adapter	Primary input 120 VAC, 60 Hz, 1.7 A, cord connected (UL/ULC applications). 230 VAC, 50 Hz, 1.7 A, hardwired (CE/EN50131 applications). Note: Do not connect power adapter to receptacle controlled by a switch.
4	Corbus in	Connects to the main control panel communications bus.
5	Corbus out (shared with AUX output.	Provides alarm system bus connection to more modules (used in large installations). Supervised. 10.8 VDC to 12.5 VDC, 2 A max. (UL/ULC applications). 10 VDC to 14 VDC, 2 A max. (EN50131 applications).
6	NC tamper contact	Connect to tamper switch installed in the cabinet for door/cover removal, or removing from mounting location tamper detection.
7	AUX output	Supervised. 10.8 VDC to 12.5 VDC, 2 A max. (UL/ULC applications). 10 VDC to 14 VDC, 2 A max. (EN50131 applications).
8	PGM relay outputs 1 to 4	NC/NO contacts, separately energized. 30 VDC, 2 A, pf = 0.6.
9	Fuse block	For EU models only; 20 mm, rated 250V / 3.15A slow blow; replace the fuse with the same type

Keypad Wiring

To wire a keypad to the alarm controller, remove the keypad backplate (refer to the keypad installation sheet) and connect the RED, BLK, YEL and GRN terminals to the corresponding terminals on the alarm controller.

Keypad zone/PGM wiring

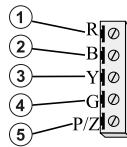
Hardwired devices can be connected to hardwired keypads with inputs (zone) or outputs (PGM). This saves from running wires back to the control panel for every device.

To connect a zone device to HS2LCDPRO and HS2TCHPRO(BLK) keypads, run one wire to the P/Z terminal and the other to B. For powered devices, use red and black to supply power to the device. Run the red wire to the R (positive) terminal and the black wire to the B (negative) terminal.

Keypad zones support Normally Closed Loops, Single End of Line, Double End of Line, and Triple End of Line resistors.

To connect the PGM output, run one wire to the P/Z terminal and the other to R.

Figure 30: Keypad terminals



Callout	Description
1	Red
2	Black
3	Yellow
4	Green
5	To zone or PGM output

- ① **Note:** When using end-of-line supervision, connect the zone according to one of the configurations outlined in [Zone wiring](#). End-of-line resistors must be placed on the device end of the loop, not at the keypad.

Assigning keypad zones

When using keypad zone inputs, each input used must be assigned a zone number in Installer Programming.

First, ensure that you have enrolled all installed keypads into the desired slots (see [\[902\] Add/Remove Modules](#)). Next, assign keypad zones by entering programming section [861]-[892], subsection 011 for keypads 1-16. Enter a 3-digit zone number for each of the keypad zones. This number must be programmed into the slot location that the keypad is assigned to.

- ① **Note:** A keypad zone overrides the corresponding hardwired or wireless zone.

Once the keypad zones are assigned, you must also program zone definitions and zone attributes. See [\[001\] zone types](#) and [Zone setup](#).

HSM2955 wiring

For wiring information refer to HSM2955 Installation manual #29010198xxx.

Zone wiring

Power down the alarm controller and complete all zone wiring.

Zones can be wired to supervise normally open devices (e.g., smoke detectors) or normally closed devices (e.g., door contacts). The alarm panel can also be programmed for single end-of-line, double end-of-line, and triple-end of line resistors.

Zone programming is done using the following programming sections:

- [001] selects zone definition
- [013] Opt [1] for normally closed or EOL; Opt [2] for SEOL or DEOL
- [201] - [232] partition assignment.

Alternately, zones may be individually configured as NC, SEOL, DEOL or TEOL through section [002] Zone Attributes, toggles 9, 10, 11 and 15, which will override the option in [013].

Observe the following guidelines when wiring zones:

- For UL listed installations use SEOL or DEOL only
- Minimum 22 AWG wire, maximum 18 AWG
- Do not use shielded wire
- Do not exceed 100 **W** wire resistance. Refer to the following table:

Table 6: Burglary zone wiring chart

Wire gauge	Maximum length to EOL resistor (ft/meters)
22	3000 / 914
20	4900 / 1493
19	6200 / 1889
18	7800 / 2377

Figures are based on maximum wiring resistance of 100**W**.

Zone status-loop resistance/status

Table 7: Loop resistance values

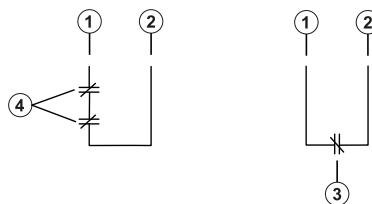
Loop Status	Loop Resistance			
	SEOL (standard)	SEOL (Fire)	DEOL	TEOL
Fault		Infinite	0Ω	15,600Ω
Secure	5600Ω	5600Ω	5600Ω	5600Ω
Tamper			Infinite	Infinite
Alarm	0Ω/Infinite	0Ω	11,200Ω	11,200Ω
Masking				21,200Ω

Normally closed

Connect hardwired devices to any Z terminal and any COM terminal. Wire normally closed devices in series.

ⓘ **Note:** For UL Installations, do not use normally closed loops.

Figure 31: Normally closed



Callout	Description
1	Any Z terminal
2	Any COM terminal
3	Normally closed contact with no end of line resistor
4	2 normally closed contacts with no end of line resistor

The following table shows zone status under certain conditions for NC Loops:

Table 8: NC loop status

Loop resistance	Loop status
0 Ω (shorted wire, loop shorted)	Secure
Infinite (broken wire, loop open)	Alarm

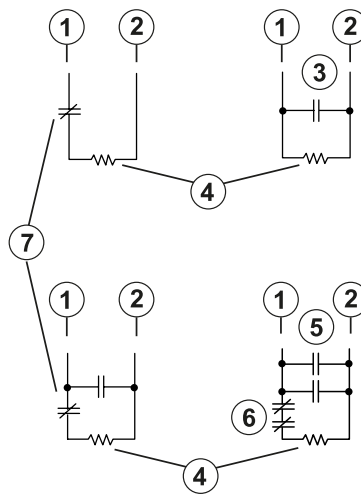
Single end-of-line (SEOL) resistor

When SEOL resistors are installed at the end of a zone loop, the alarm panel detects if the circuit is secure, open, or shorted. The SEOL resistor must be installed at the end of the loop for proper supervision.

To enable SEOL supervision, program section [013], options [1] and [2] to OFF. To configure SEOL supervision per zone, use programming section [002], attribute 10.

ⓘ **Note:** This option should be selected if either normally closed or normally open detection devices or contacts are used.

Figure 32: SEOL wiring



Callout	Description
1	Any Z terminal
2	Any COM terminal
3	Normally open contact
4	5600 Ω end of line resistor

Callout	Description
5	2 normally open contacts
6	2 normally closed contacts
7	Normally closed contact

The following table shows zone status under certain conditions for SEOL:

Table 9: Table 2-7: SEOL loop status

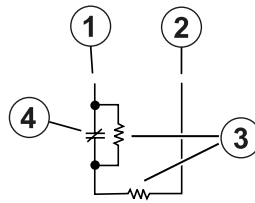
Loop resistance	Loop status
0 Ω (shorted wire, loop shorted)	Alarm
5600 Ω (contact closed)	Secure
Infinite (broken wire, loop open)	Alarm

Double end of line (DEOL) resistors

When double end-of-line (DEOL) resistors are installed at the end of a zone loop, the second resistor enables the panel to determine if the zone is in open, closed, tampered or faulted.

- ① **Note:** Any zone programmed for Fire or 24-hr Supervisory must be wired with a SEOL resistor regardless of the type of zone wiring supervision selected for the panel. If you change the zone supervision options from DEOL to SEOL or from NC to DEOL, power the system down completely, then power it back up for correct operation. To enable DEOL supervision per zone, program section [013], option [1] to OFF and option [2] to ON. To configure DEOL supervision per zone, use programming section [002], attribute 11.

Figure 33: DEOL wiring



Callout	Description
1	Any Z terminal
2	Any COM terminal
3	5600 Ω end of line resistor
4	Normally closed contact

- ① **Note:** If the DEOL supervision option is enabled, all hardwired zones must be wired for DEOL resistors, except for Fire and 24 Hour Supervisory zones. Do not use DEOL resistors for Fire zones or 24 Hour Supervisory zones.
- ① **Note:** Do not wire Fire zones to keypad zone terminals if the DEOL supervision option is selected.
- ① **Note:** This option can only be selected if N/C detection devices or contacts are used. Only one N/C contact can be connected to each zone.

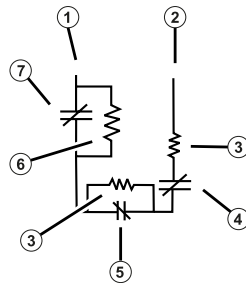
The following table shows zone status under certain conditions for DEOL:

Table 10: Table 3-1: DEOL loop status

Loop resistance	Loop status
0 Ω (shorted wire, loop shorted)	Fault
5600 Ω (contact closed)	Secure
Infinite (broken wire, loop open)	Tamper
11200 Ω (contact open)	Alarm

Triple end-of-line (TEOL) resistor

The TEOL resistor supervises anti-masking functionality in hardwired motion detectors. To configure TEOL supervision per zone, use programming section [002], attribute 15.

Figure 34: TEOL wiring

Callout	Description
1	Any Z terminal
2	Any COM terminal
3	5600 Ω end of line resistor
4	Normally closed tamper contact
5	Normally closed alarm contact
6	10000 Ω end of line resistor
7	Normally closed mask/fault contact

The following table shows zone status under certain conditions for TEOL:

Table 11: Table 3-2: TEOL loop status

Loop resistance	Loop status
0 Ω (short)	Fault
Infinite Ω (open)	Tamper
5600 Ω	Restored
11200 Ω	Alarm
21200 Ω (alarm and fault/mask)	Mask
15600 Ω (fault/mask)	Fault

① **Note:** Resistor values are configurable in section [004].

PGM wiring

Min/max operating voltages for devices, sensors and modules is 9.8 VDC - 14 VDC.

PGMs switch to ground when activated from the alarm controller. Connect the positive side of the device to the AUX+ terminal and the negative side to a PGM terminal. PGM 1, and 4 supply up to 100 mA; PGM 2 and 3 supply up to 300 mA.

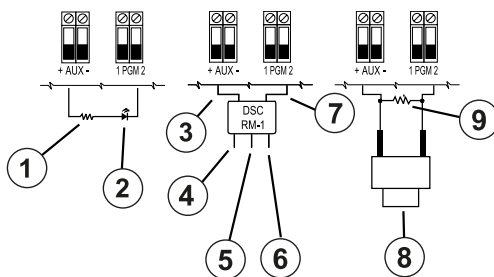
A relay is required for current levels that exceed the maximum limits.

PGM2 can also be used for two-wire smoke detectors or 24-hour burglary input alarm.

❶ **Note:** Use only SEOL resistors on Fire zones.

➤ **Important:** Minimum 6.4 mm (1.4 in) separation must be maintained between RM-1 circuits and all other wiring.

Figure 35: LED output with current limiting resistor and optional relay driver output



Callout	Description
1	680 Ω resistor (typical value)
2	LED indicator
3	RED
4	WHT (COM)
5	YEL (normally closed)
6	GRN (normally open)
7	BLK
8	Normally open push button switch
9	2200 Ω EOLR

Aux power wiring

These terminals provide 2A maximum of current (shared with PGM outputs). Connect the positive side of any device to the AUX+ terminal and the negative side to GND. The AUX output is protected; if too much current is drawn from these terminals (wiring short), the output is temporarily shut off until the problem is corrected.

Ratings:

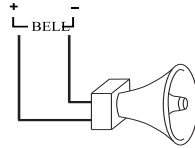
UL/ULC applications: 10.8 Vdc - 12.5 Vdc.

EN50131 applications: 10 Vdc - 14 Vdc.

Bell wiring

These terminals supply 700 mA of current at 10.8 VDC to 12.5 VDC for UL/ULC installations and 10 VDC to 14 VDC for EN50131 installations. To comply with NFPA 72 Temporal Three Pattern requirements, section [013] Opt [8] must be ON. Steady, pulsed alarms are and Temporal 4 cadence for CO alarm notification are also supported.

Figure 36: Bell wiring



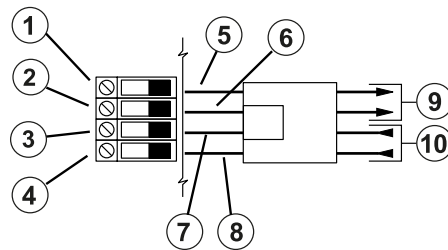
The Bell output is supervised and power limited by 2A hardware protection. If unused, connect a 1000 W resistor across Bell+ and Bell- to prevent the panel from displaying a trouble. See [Troubleshooting](#).

ⓘ **Note:** Observe polarity when connecting polarized sirens or bells.

Telephone line wiring

Wire the telephone connection terminals (TIP, Ring, T-1, R-1) to an RJ-31x connector as indicated in the following diagram. For connection of multiple devices to the telephone line, wire in the sequence indicated. Use 26 AWG wire minimum for wiring.

Figure 37: Telephone line wiring



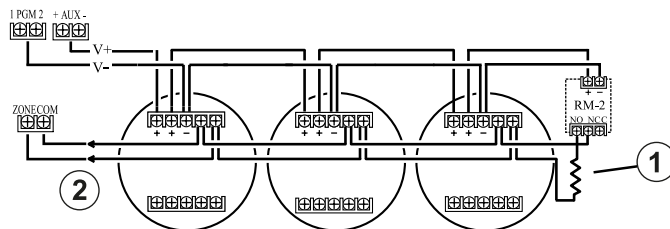
Callout	Description
1	T-1
2	R-1
3	TIP
4	RING
5	BRN
6	GRA
7	GRN
8	RED
9	Out to premises telephone
10	In from telephone company

ⓘ **Note:** Ensure that all plugs and jacks meet the dimension, tolerance and metallic plating requirements of 47 C.F.R. Part 68, Sub-Part F. For proper operation, no other telephone equipment must be connected between the control panel and the telephone company facilities.

Smoke detector wiring

All zones defined as Fire must be wired according to the following diagram:

Figure 38: Smoke detector wiring



Callout	Component
1	5600 Ω end of line resistor
2	To alarm initiating circuit

See [001] zone types for fire zone operation.

ⓘ **Note:** Smoke detectors must be latching type. To reset a smoke detector, enter [*][7][2].

Table 12: Compatible 4-wire smoke detectors

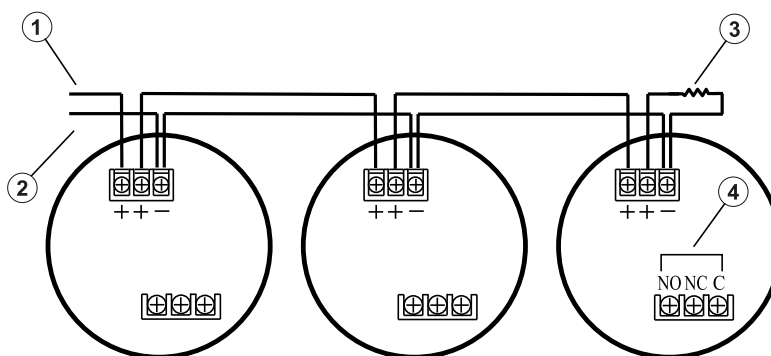
4-wire smoke detectors		
FSA-410x	FSA-410xLST	FSA-410xRST
FSA-410xT	FSA-410xR	FSA-410xLRST
FSA-410xS	FSA-410xRT	
FSA-410xST	FSA-410xRS	

ⓘ **Note:** Current ratings for DSC FSA-410 Series: 25mA - 90mA.

Fire zone wiring - 2-wire smoke detectors

If PGM 2 is programmed for 2-wire smoke detector connection, the detectors must be wired according to the following diagram:

Figure 39: 2 wire smoke detector wiring



Callout	Component
1	AUX 1
2	PGM 2
3	2200 Ω end of line resistor
4	Relay connection

- ① **Note:** Additional 2 wire smoke detectors must be connected in parallel as shown above. The maximum number of smoke detectors on a 2 wire loop is 18.
- ② **Note:** Do not combine smoke detector models from different manufacturers on the same circuit. Operation may be impaired. Refer to the smoke detector installation sheet when positioning detectors.

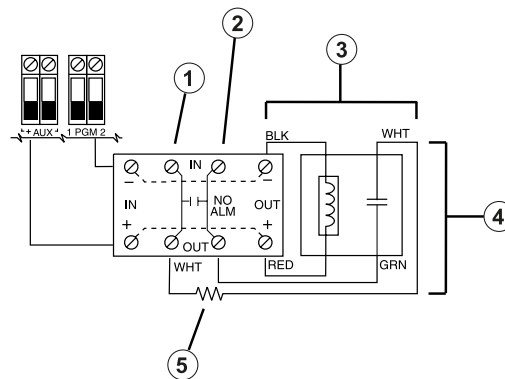
Table 13: Compatible 2-wire smoke detectors

2-wire smoke detectors	
FSA-210x	FSA-210xR
FSA-210xT	FSA-210xRT
FSA-210xS	FSA-210xRS
FSA-210xST	FSA-210xRST
FSA-210xLST	FSA-210xLRST
Current ratings for DSC FSA-210B series: 35mA - 75mA	

Table 14: 2-wire smoke detector initiating circuit

Item	Specification
Style/Class, Supervised, Power Limited	Style B (Class B)
Compatibility Identifier	HS3-1
DC Output Voltage	9.4 VDC to 13.8 VDC
Detector Load	2 mA (max.)
Single End-of-Line Resistor (SEOL)	2200 W
Loop Resistance	24 W (max.)
Standby Impedance	1250 W (nom.)
Alarm Impedance	664 W (max.)
Alarm Current	97 mA (max.)
Maximum number of 2 wire smoke detectors	18

Figure 40: 4-wire smoke detector wiring



Callout	Description
1	Zone input
2	To COM
3	RM-1 / RM-2 power loop supervisory relay (12 VDC, 35 mA max.)
4	Alarm initiating loop resistance 100 Ω
5	End of line resistor 2 (5600 Ω , 0.5 W)

- ① **Note:** Smoke detector must be latching type (for example, DSC FSA 410B series). To reset smoke detector, enter [*][7][2].

CO detector

The following hardwired CO detector models can be used with PowerSeries Pro alarm controllers:

- Potter Model CO-12/24, UL File E321434
- Quantum Model 12-24SIR, UL File E186246
- NAPCO Model FW-CO12 or FW-CO1224, UL File E306780
- System Sensor Model CO1224, UL File E307195

- ① **Note:** For multiple unit connections, the leads between CO detectors must be broken. The power supervision relay must be powered from the last detector in the loop.

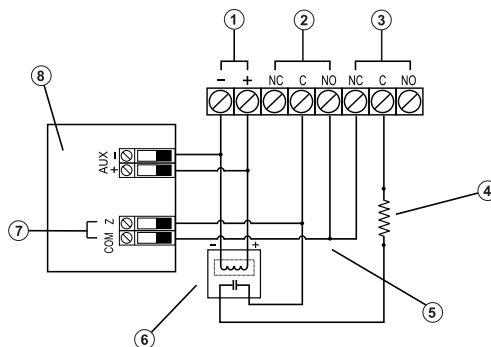
Wireless CO detectors are also available. When installing wireless CO detectors, use only model PG9913UL, PG8913, PG4913, or PGx933. An HSM2HOSTx (x=9UL/8/4) wireless receiver or HS2LCDRFPRO wireless keypad are required when installing wireless CO detectors. For more details on these wireless devices, refer to their respective installation manuals.

- ① **Note:** Use only UL approved devices with UL/ULC listed systems.

Table 15: CO detector ratings

Device	Description	Max rating @12 VDC
CO-12/24	Potter model CO detector	40 mA
12-24SIR	Quantum model CO detector	75 mA
FW-CO12 FW-CO1224	NAPCO model CO detector	90 mA
CO1224	System Sensor model CO detector	40 mA

Figure 41: CO detector wiring



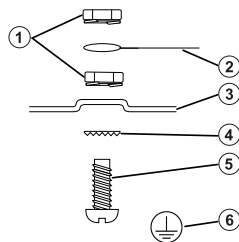
Callout	Description
1	Power
2	Alarm
3	Trouble
4	5600 Ω SEOL resistor
5	Alarm initiating loop, resistance 100 Ω
6	RM-1 / RM-2 power loop supervisory relay (12 VDC, 35 mA)
7	Zone input (SEOL zone type 41)
8	Control panel

Earth ground wiring

Using the supplied insulated green wire, connect the earth ground terminal on the HS65WPSNA power adapter to the earth ground screw and nut assembly as shown in the diagram.

The earth ground screw and nut assembly must be mounted to the cabinet to one of the designated holes marked with the earth ground symbol.

Figure 42: Earth ground installation



Callout	Description
1	Nut
2	Earth ground connection from building electrical installation. <i>i</i> Note: This ground connection goes to HS65WPSNA power adapter EGND connections when this power adapter is mounted in the cabinet.
3	Cabinet
4	Star washer
5	Bolt (insert from the rear side of the metal enclosure)
6	Earth ground symbol

Connecting power

Batteries

Do not connect the battery until all other wiring is complete.

- ⓘ **Note:** A sealed, rechargeable, lead acid battery or gel type battery is required to meet UL requirements for power standby times.

Connect the RED battery lead to the positive battery terminal and the BLACK battery lead to the negative battery terminal.

The panel can be programmed to charge the battery at 400 mA or 700 mA. See ([982] Battery Settings).

See [Aux loading and battery selection](#)

Battery selection chart

After calculating the battery capacity (**B**) for each specific installation use the following table to determine the battery required to support the main panel in standby mode for:

- hours (UL/ULC residential burglary, ULC commercial burglary)
- hours (EN50131 Grade 2/Class II)
- hours (UL/ULC residential fire, UL home health care, ULC commercial burglary, ULC residential fire with wired CO detectors UL985 6th Ed, ULC, fire commercial monitoring- no bell load allowed; INCERT [Belgium])
- Hours (AC fail transmission required) or 60 hours (EN50131 Grade 3)
- Hours (NFA2P 2 shield) or 60 hours (NFA2P 3 shield)

The battery size is measured in amp hours (Ah). The current values in the table denote the maximum current draw permitted to achieve the desired standby time with the listed battery types.

Table 16: Standby battery guide

Battery size (Ah)	Desired standby time (h)					
	4	12	24	30	36	60
4	700 mA					
7	1200 mA	500 mA	250 mA			
14 (2x7)	2000 mA	1000 mA	500 mA			
17	2000 mA	1200 mA	600 mA	500 mA		250 mA
18				500 mA	450 mA	250 mA

* Use 2 x 7 Ah batteries connected in parallel, UL/ULC installations only

** with high current battery charge option enabled: [982].

- ⓘ **Note:** Battery capacity deteriorates with age and the number of charge/discharge cycles. Replace every 3-5 years.

See [Regulatory approvals](#) for detailed Aux. loading and battery charging information.

Complete the following chart to find (A), complete the following formula to find the battery capacity (B) and refer to the HS3032/3128/HS3248 alarm controller battery selection chart above.

(Total standby current _____ mA (**A**) x Standby time _____ hours) + (Alarm current x Alarm time _____ hours \ 1000) = _____ Ah (**B**)

Aux loading and battery selection

HS3032/ HS3128/ HS3248 PCB current draw 120 mA Alarm current 700 mA	UL Resi Burg ULC Resi Burg	UL Com Burg	UL Resi Fire UL Home Health Care ULC Resi Fire ULC Com Burg	UL Resi Fire with wired CO Detectors UL985 6th Ed	ULC COM Fire Monitorin g	EN50131 Grade 2	EN50131 Grade 3
Standby Time and Alarm Time	4 h + 4 min 4 h + 5 min	4 h + 15 min	24 h + 4 min 24 h + 5 min 24 h + 4 min	24 h + 4 min + 12 h CO alarm	24 h + 30 min	12 h	30 h (AC fail transmissi on required) 60 h
Enclosure	HSC3010C	HSC3030C AR	HSC3010C	HSC3010C	HSC3010C R	HSC3020C	HSC3020C
Power Supply Adapter	HS65WPSN A	HS65WPSN A	HS65WPSN A HS65WPSN AS (ULC CB Security Level 4) (Require high voltage barrier kit)	HS65WPSN A	HS65WPSN AS	HS65WPS	HS65WPS
Battery capacity / max loading	4 Ah/700 mA 7 Ah/1200 mA 14 Ah/2000 mA 17 Ah/2000 mA	4 Ah/700 mA 7 Ah/1200 mA 14 Ah/2000 mA 17 Ah/2000 mA	7 Ah/250 mA 14 Ah/500 mA 17 Ah/600 mA	14 Ah/330 mA 17 Ah/400 mA	14 Ah/500 mA 17 Ah/600 mA	17 Ah/ 1200 mA	17 Ah/500 mA 17 Ah/250 mA
Rechargin g current setting	Low (400 mA) for 4 Ah/High (700 mA)	Low (400 mA) for 4Ah/High (700 mA)	High (700 mA)	High (700 mA)	High (700 mA)	Low (400 mA)	High (700mA)

- ① **Note:** For NFA2P 2 shield installations, use 18 Ah batteries and 450 mA load for 36-hour standby. For NFA2P 3 shield installations, use 18 Ah batteries and the same loadings as for EN50131 Grade 3 in the table above.

Connecting AC power

The alarm controller requires an 18 VDC switched mode power supply. For information on connecting AC power, see [UL/ULC Wiring Diagram](#)

Configuration

Basic configuration steps

Once basic installation of the alarm panel is complete, the following general configuration options should be set.

- Create partitions, see [Working with partitions](#)
- Assign keypads to partitions, see [Keypad partition setup](#)
- Assign sirens to partitions, see [Bell/siren operation](#)
- Set up partition account codes, see [Communications](#)
- Set up partition timers, see [System times](#)
- Enroll wireless modules and devices, see [Enrolling modules](#)
- Assign zone types, see [\[001\] zone types](#), and attributes, [\[002\] Zone attributes](#)
- Create zone labels, see [Adding labels](#)
- Add users, see [Assign access codes](#)
- Set up the alternate communicator if equipped, see [Alternate communicator setup](#)
- Program phone numbers, see [System Communications](#)
- Set up call directions for the central monitoring station, see [System Communications](#)
- Set up system timers, see [System times](#)
- Configure reporting codes, see [Reporting](#)
- Test the system, see [Testing the system](#)

Using the keypad

The PowerSeries Pro alarm panel is compatible with several different keypad types (see [Compatible devices](#)); however, all keypads have certain basic functionality in common.

Special keys





Scroll symbols < > on keypads with LCD displays indicate that options can be viewed by pressing the scroll keys. These keys can also be used to position the cursor.

The [*] key is similar in function to the “Enter” key on a personal computer. It is generally used to accept the existing programming option. It is also the first key entry for [*] commands and can be used to enter the letters A-F when in Installer Programming mode.

The [#] key is similar in function to the “ESC” (escape) key on a personal computer. It is generally used to exit the current programming section or to return to the previous one.

LED indicators

Keypads have the following status lights that provide visual indication of basic system status:

Symbol	Description
	Ready: Panel is ready to be armed.
	Armed: Panel is armed.
	Trouble: System trouble. Enter [*][2] to view troubles.
	AC Power: ON=AC present. OFF=AC absent.

Panel status LED operation

The red status LED, located on the alarm controller PCB, indicates the following:

- Power up sequence – flashes rapidly until the end of the power-up sequence.
- Firmware indication – flashes during the firmware upgrade process. If the firmware upgrade fails, the LED flashes rapidly.
- Flashing cadences (timings) – During a firmware upgrade process the Status LED shall flash: 800 ms on / 800 ms off. This cadence shall clear at the end of the firmware upgrade process. If the firmware upgrade fails the Status LED shall flash: 200 ms on / 200 ms off. This cadence shall clear when the firmware upgrade process is reattempted.
- Trouble indication – Flashes when troubles are present. During normal operation the Status LED shall indicate troubles using the following flashing pattern. No Trouble will be indicated by 120 ms on / 10 sec off. Troubles will be indicated by a number of flashes 400 ms on / 400 ms off (1.7 sec between flashes). Troubles with a lower number of flashes shall be considered higher priority and will override the indication of lower priority troubles.

Troubles are indicated according to the following priority:

Number of flashes	Trouble type
1	No keypads enrolled
2	Module supervision trouble
3	Bus low voltage
4	Low battery trouble
5	AC trouble
6	AUX
7	Bell trouble
8	TLM trouble

Entering letters manually (system labels)

1. In Installer Programming, enter the section requiring text input.
2. Use the arrow keys [<][>] to move the cursor to a blank space or existing character.
3. Press the number key corresponding to the appropriate letter. Each number button accesses three letters and a number. The first press of the number key displays the first letter and so on.

4. To select lower case letters press [*]. The Select Options list opens. Scroll to “lower case” and press [*] again to select.
5. When the required letter or number is displayed use the arrow keys [<][>] to scroll to the next letter.
6. When finished, press the [#] key to save the label and exit.
7. Continue from step 2 until all labels are programmed.

For information on entering hexadecimal data, see [Programming hex and decimal data](#).

How to enter data

Conventions used in this manual

Brackets [] indicate numbers or symbols that must be entered on the keypad.

For example, [*][8][Installer Code][804] requires the following key entries:

[*][8] [5555] [804]

[*][8]	Initiates a special command
[5555]	Enter the installer code (default installer code is 5555)
[804]	Programming section being accessed

Enrollment

All optional modules and devices must be enrolled on the system. During enrollment, the device ID is identified to the control panel and zones are assigned. A wireless transceiver HSM2HOST or an RF keypad must be enrolled before wireless devices are enrolled.

Enrolling modules

During automatic and manual enrollment, if an attempt is made to enroll more than the maximum number of modules, an error tone sounds and a message is displayed on LCD keypads.

Modules can be enrolled automatically or manually using section [902] of Installer programming. For instructions on enrolling modules, see [Module Programming](#)

To confirm that a module has been successfully enrolled, use Installer programming section [903]. See [\[903\] Confirm Module](#).

Enrolling the first keypad

To enroll a hardwired keypad, connect the keypad to the alarm controller, power up the alarm panel then press any button on the keypad.

To enroll a wireless keypad, first connect the HSM2HOSTx wireless integration module to the alarm controller. Next, power up the alarm panel and a wireless keypad. Press any button on the keypad to enroll it on the HSM2HOSTx. The HSM2HOSTx is then enrolled on the alarm panel. To enroll other keypads, see [Module Programming](#).

Module supervision

By default, all modules are supervised upon installation. Supervision is enabled at all times so that the panel can indicate a trouble if a module is removed from the system.

To check which modules are currently connected and supervised, see [\[903\] Confirm Module](#).

If a module is connected but is not recognized by the system, it may be due to any of the following reasons:

- the module is incorrectly wired to the alarm controller
- the module has exceeded its maximum wire run length
- the module does not have enough power

Removing modules

Enrolled modules can be deleted from the system via programming section [902]. For instructions, see [902] [Add/Remove Modules](#).

Enroll wireless devices

Wireless devices are enrolled via the wireless transceiver module and Installer Programming section [804][000]. See [Compatible devices](#) for a list of supported wireless devices.

Wireless devices are enrolled using one of the following methods:

Auto enrollment

To enroll a wireless device using this method, press and hold the Enroll button on the device for 2-5 seconds until the LED lights then release the button, or pull the enrollment tab from the battery, or insert the battery into the device. The alarm panel automatically recognizes the device and the keypad displays a confirmation message. The device ID and next available zone number are displayed. Press [*] to accept or scroll to another available zone number. Batteries must be installed in the wireless device in order to enroll.

Various zone features are programmable depending on the type of device. See [Zone setup](#) for details.

Pre-enrollment

Pre-enrollment is a two step process. The first step requires entering each device ID ([804][001]-[716]). Every wireless device has an ID printed on the sticker attached to the device. The format is XXX-YYYY where:

- XXX identifies the type or model of the device
- YYYY is a short encrypted ID used by the system to identify the specific device

Pre-enrollment can be done at a remote location and using DLS-5. The second step is to press the enrollment button on the device, usually done on location. Installer Programming does not have to be entered at this step. Both steps must be performed in order to complete the enrollment.

Working with partitions

A partition is a limited area of the premises that operates independently from the other areas. Partitioning a system can be beneficial if the property has outbuildings that need to be secured independently of a main area.

Each partition can have its own keypad or a keypad can have access to all partitions (only if all partitions belong to the same user code). User access to partitions is controlled via access codes. A master code can access the entire system and all partitions, while a user code is limited to assigned partitions.

Setting up a partition requires the following actions:

- Create the partition.
- Define bell/siren operation.
- Assign keypads.

- Assign zones.
- Assign users.

Setting up a partition

Partitions are added or removed from the system by applying or removing a partition mask via Installer programming section [200]. The number of available partitions depends on the alarm panel model. See [\[200\] Partition Mask](#) for more information.

Bell/siren operation

Each partition must have a siren. The system siren connected to the bell output of the alarm controller can be mounted in a central location within hearing range of all partitions. Each partition can also have wireless sirens activated only on the assigned partition. See [Wireless Programming](#) for details.

Single siren output operation

With a siren shared across all partitions, control over activation/deactivation of the output depends on the partition that initiated the alarm sequence. Only the partition that originated the alarm can deactivate the bell output.

Global zones, such as smoke detectors shared by multiple partitions, can deactivate the siren on all partitions the zone is assigned to.

Multiple siren output operation

When multiple sirens are used in the installation, they can be programmed to sound alarm conditions for all partitions, or for individual partitions by using a partition enable mask.

If hardwired sirens are used, this is accomplished via bus power supplies with a supervised high-current output. The output is then programmed as a Fire and Burglary PGM output type.

- ⓘ **Note:** Only the first output of the HSM2204 output module has bell supervision. Some conditions, such as an installer system test, may override the partition assignment and cause all sirens to activate. User system tests only activate the sirens/outputs assigned to that partition.

Interconnected smoke detector operation

When the Fire Alarm toggle is enabled ([804][001]-[248] option 14) on a zone with a PowerG smoke detector, any fire alarm on a partition assigned to the detector activates the sounder. Global fire alarms activate the sounder on all smoke detectors. The sounder on interconnected smoke detectors follows the panel bell for duration of activation ([014] option 8, Fire Bell Timeout). If this option is disabled, interconnected smoke detectors continue to sound the alarm until the bell is deactivated on the panel.

The following alarm types cause interconnected smoke alarms to sound:

- Fire zones
- [F] key alarms
- Wire smoke input

Trouble indicators

Both audible and visual trouble indications are available on all partitions. For more information, see [Troubleshooting](#)

Programming section [013] option 3 controls whether or not troubles are indicated when the alarm system is armed.

Keypad partition setup

Keypads can be configured to control an individual partition or all partitions. In general, a partition keypad controls the partition it is assigned to. A Global keypad controls all partitions. Global keypads should be placed in common areas of the premises, such as points of entry or reception areas, where the ability to arm and disarm more than one partition at a time is required.

Partition keypads can also be temporarily loaned to other partitions.

To select a keypad operating mode:

1. Enter Installer Programming: [*][8][installer code].
2. Select [861]-[892] to program keypads 1 to 32.
 - Press [000] for partition assignment.
 - For Global operation, key in 00.
 - To assign a keypad to a partition, key in 01-32 for partitions 1 to 32.
3. Press the [#] key and repeat step 2 for next keypad. When finished programming all keypads, press the [#] key twice to exit programming.

Users are assigned partition access rights via the [*][5] menu.

Loaned partition setup

To loan a keypad to another partition:

1. Press and hold [#] then key in a valid access code. The keypad switches to Global display.
2. Use the arrow keys to scroll through available partitions. Press [*] to select. The keypad is temporarily loaned to another partition.

If the keypad is inactive for more than 30 seconds, it reverts to its assigned partition.

Global zones

If a zone is added to more than one partition, it becomes a global zone. A global zone is only armed when all assigned partitions are armed and is disarmed when any assigned partition is disarmed.

Global zones behave as follows:

- A global Stay/Away type zone is not activated until all partitions the zone is assigned to are armed in the Away mode. Interiors must be activated on all partitions for the global Stay/Away zone to be active.
- A shared zone bypassed on one partition is bypassed on all partitions the zone is assigned to.
- An entry delay started on a global zone sounds an entry delay on all keypads assigned to partitions the global zone is assigned to.
- A global Delay type zone follows the longest programmed delay time of the partitions it is assigned to.

Fire and CO zone types

Fire zones only place the partition they are assigned to into alarm. Other partitions retain their current state.

A fire reset only resets partitions they are assigned to.

One or more fire zones may be located on any partition.

On alarm, the fire auto-scroll display appears on all partition keypads and on all global keypads. Fire alarm silence and fire system reset may be done directly on any partition keypad. To silence a fire or CO alarm from a global keypad requires that the global keypad be loaned to one of the partitions the zone is assigned to.

Bell/PGM support

PGMs must be assigned to one or more partitions. See section [007] for partition assignment.

① **Note:** Bell PGM type requires supervision and follows arming squawks by partition.

Communications

Account codes are assigned to all system and partition events.

For SIA communications, a single account code (programmed in section [310][000]) is used for all events. The partition is identified via Nri1-8. System events use Nri0.

When using CID communication, individual account codes must be programmed for each partition. See [310] [Account Codes](#).

Assign zones

Partition zone assignments are completed using sections [201] - [232] for partitions 1 to 32. Subsections [001 - 032] are used to enable or disable groups of 8 zones on the partition.

Assign users

Access [*][5] using the master code, select the desired user code and enter digit 4 to modify the partitions that can accept the user code.

Factory defaults

The alarm panel and individual modules can be returned to factory default settings using the following Installer Programming sections:

- [991] Default Keypads
 - - Default all keypad programming
 - 001-032 - Default keypads 1 to 32
- [993] Default alternate communicator
- [996] Default wireless receiver
- [998] Default HSM2955
- [999] Default system

See [Defaults](#) for more information.

Default all labels

Use programming section [000][999]. The following labels are returned to factory default settings:

- Zone Labels
- Partition Labels
- Module Labels
- Partition 1 to 32 Command Output 1 to 4 Labels
- Schedule 1 to 4 Labels
- Event Labels

- User Labels

System and module programming is not affected.

Hardware reset main control panel

Perform the following to restore the main control panel to default settings:

1. Power down the system.
2. Remove all wires between Zone 1 and PGM 1 on the alarm controller.
3. Connect a short between Zone 1 and PGM 1.
4. Power up the system for 60 seconds.
5. Power down the system and remove the short.
6. Power up the system again. Factory defaults are restored and hardware default is logged to the event buffer.

Note: Hardware default is not available when installers lockout is enabled.

Alternate communicator setup

The alternate communicator is an ethernet or optional cellular communications device that can be used as a backup to the PSTN connection or as a primary means of communication between the alarm panel and the central monitoring station. The alternate communicator communicates via 2G, 3G, LTE or Ethernet.

The following configuration steps are required to set up the alternate communicator:

- Install the optional cellular alternate communicator to the alarm panel
- Enroll the alternate cellular communicator with Connect 24 (North America only)
- Set the communication path: [300]
- Enable the alternate communicator: [383] option 3 for Ethernet, and [383] option 4 for cellular.
- The Ethernet or Cellular receivers IP and Port: [851]
- Enable event reporting: [307]/[308]
- Program communication delay timer: [377]
- Program DLS access: [401] option 07

Refer to [Programming](#) for details.

Communication paths

The path of communication between the alarm panel and the central station must be established through either the alarm panel's on-board Public Switched Telephone Network (PSTN) connection (Ethernet) or through the cellular alarm communicator if equipped.

Communications options

The following alarm panel options must be programmed when configuring the alternate communicator:

[300] Option 02: communication path (see [\[300\] Panel/Receiver Communication Paths](#))

[380] Option 01: communications enabled/disabled (see [\[380\] Communicator Option 1](#))

[383] Option 03: ethernet communications enabled/disabled, [383] option 04: cellular communications enabled/disabled

[308][351]-[356] Reporting codes (see [\[351\] Alternate Communicator 1](#))

[401] Option 7: DLS access (see [401] [DLS/SA Options](#))

Communication attempt limit

If a telephone line monitoring (TLM) trouble is present, the number of PSTN dialing attempts is reduced from the programmed value to 0 attempts. See programming section [380] [Communicator Option 1](#) for details.

Supervision restore

If the alarm system experiences a failure to communicate (FTC) with the central monitoring station, it automatically attempts to transmit the failed event when communications are restored when [383], option 5 is enabled.

Remote firmware upgrade

Firmware upgrades can be transferred to the alarm panel and modules using DLS. A message is displayed on LCD keypads indicating a firmware upgrade is available. On all keypads, the blue light bar flashes.

Users authorize the firmware upgrade through [*][6][Master Code][17].

During the update, a message indicating that a firmware upgrade is in progress is displayed on the LCD keypad.

Firmware updates are performed under the following conditions:

- The system is not armed
- No AC trouble is present
- No low battery trouble is present

Note: For UL listed installations, do not use remote programming unless an installer is on the premises.

Local firmware upgrade

Alarm panel firmware can be upgraded locally via DLS. Firmware upgrade prevention rules are ignored when performing a local firmware upgrade.

To perform a local firmware upgrade:

1. Remove the front cover of the alarm panel and plug the DLS header into the micro USB connector on the alarm controller.
2. Open the Flash Utility within DLS, select the latest firmware file from the Web or browse to a saved flash file on your hard drive. Follow the steps as prompted by the Flash Utility application. A message is displayed when download is complete.
3. Once the firmware update is complete, the system powers up.

Testing the system

Installer Walk Test

Walk test enables the installer to test the operation of each detector by tripping zones, causing an actual alarm. Enter section [901] to initiate a walk test. When a zone is tripped, all system sirens emit a tone to indicate that the zone is working correctly.

After 15 minutes without zone activity, the walk test terminates automatically. To manually exit walk test mode, enter [901] again.

Viewing the event buffer

The event buffer contains logs of events that have occurred on the alarm system beginning with the most recent. The capacity of the event buffer is scalable and can hold 500/1000 events (depending on panel model) before rolling over. The buffer displays events according to their time stamp, beginning with the most recent. The event buffer can be uploaded using DLS.



Each event displays the time and date, a description of the event, the zone label, access code number or any other pertinent information. To view the event buffer, press [*][6][Master Code][*].

System Operation

Arming and disarming

The following table describes the various arming and disarming methods available.

Table 17: Arming/disarming methods

Method	Description
Away Arm	 for 2 seconds + [Access Code*]
Stay Arm	 for 2 seconds + [Access Code*]
Night Arm	When armed in stay mode [*][1] + [Access Code*]
Disarm	[Access Code]
No-Entry Arming	[*][9] + [Access Code]
Quick Arm/Quick Exit	[*][0]**

* An access code is required only if section [015] option 4 is disabled. See [015] [System Option 3](#).

** See [*][0] [Quick arm/exit](#) for more information. This feature must not be used in EN50131 certified systems.

For detailed arming/disarming instructions, see the PowerSeries Pro User Manual.

Partition vs. global keypad

Keypads can be configured to control an individual partition or all partitions (see [Keypad partition setup](#)).

Single partition operation

Single partition keypads provide access to alarm functionality for an assigned partition.

Single partition keypads behave as follows:

- Display the armed state of the partition
- Display open zones, if the zone belongs to the partition the keypad is assigned to
- Display bypassed zones and allow zone bypassing or creating bypass groups of zones assigned to the keypad partition
- Display system troubles (system low battery, system component faults/tampers)
- Display alarms in memory that occurred on the partition
- Allow the door chime to be enabled/disabled
- Activate system test (sounds bells/PGMs assigned to the partition)
- Allow label programming (user labels for the partition)
- Control command outputs (those assigned to the partition, or global outputs such as smoke detector reset)
- Display temperature (not evaluated by UL)

Global/multiple partition operation

Global keypads display a list of all active partitions or assigned partitions along with their current state. A valid access code is required to view partition status. The Global status screen displays the following:

1	2	3	4	5	6	7	8	>
R	A	!	N	X	E	P	-	

Character	Description	Character	Description
R	Ready	X	Exit Delay
A	Armed	E	Entry Delay
!	Alarm	P	Pre-Alert
n	Not Ready	-	Partition not enabled

In the following example, partition 1 is armed, partition 2 is disarmed and ready, partition 3 is disarmed and not ready, partition 4 is in alarm, partition 5 is indicating exit delay, partition 6 is in entry delay, partition 7 is in auto-arm pre-alert and partition 8 is not enabled.

1	2	3	4	5	6	7	8	>
A	R	N	!	X	E	P	-	

Global keypads behave as follows:

- Troubles are displayed and sounded on the global keypad. Troubles can be viewed from the global keypad display by pressing the right scroll key then (*). The Troubles menu is displayed. An access code may be required to enter the [*][2] menu depending on system programming.
- Keypad function keys can be programmed for Global Stay Arm, Global Away Arm and Global Disarm.
- Multiple partition arming/disarming may be done from a global keypad, assigned to the same partitions as the user, by scrolling right and selecting "[*]" to Arm All Partitions.

Labels

Various custom labels can be created to make identification of the alarm system, partitions, zones and modules simpler. Labels are created by inputting text manually, by selecting words from the Word Library or by downloading/uploading using DLS. See [\[000\] Label Programming](#)

System label

This feature is used to program a custom label for the security system. This label is used in the event buffer when system events occur. The maximum label size is 14 ASCII characters.

See [\[100\] System label](#) for programming details.

Zone labels

Customized labels can be created for each zone on the alarm system. These labels are used on various displays and events to identify the zone. The maximum label size is 14 x 2 ASCII characters.

See [\[001\]-\[248\] Zone Labels](#) for more details.

Partition labels

Each partition on the alarm system can have a unique label to identify it. This label is displayed on partition keypads and event messages. The maximum label size is 14 x 2 ASCII characters.

See [\[101\]-\[132\] Partition 1-32 labels](#) for more details.

Module labels

Labels can be created for the following optional system modules:

- Keypads
- 8-zone expander modules
- 8-zone output expander modules
- Wireless transceivers
- Power supply
- 4-zone high-current output modules
- Alternate communicator modules
- Audio modules
- Sirens
- Repeaters

The maximum label size is 14 ASCII characters. See [\[801\] Keypad labels](#) for more details.

Event labels

Customizable labels can be created for the following events:

- Fire alarm
- Fail to arm
- Alarm when armed
- CO alarm

The maximum label size is 14 ASCII characters.

Partition command output labels

This feature is used to program custom labels for command outputs. These labels are used with output activation events in the event buffer. The maximum label size is 14 x 2 ASCII characters. See [\[201\]-\[232\]\[001\]-\[004\] Partition command output labels](#) for more details.

Annunciation

Door chime

The keypad can be programmed to use one of four different door chime tones for each zone on the system. Chime is active only during the disarm state. Only one door chime option can be enabled for each zone.

- Beeps
- Bing-Bong
- Ding-Dong
- Alarm Tone

- Zone Name - Voice annunciation (HS2LCDWFVPROx keypads only)

The above door chime sounds are programmable in section [861]-[892], subsections [101]-[228]. Chime is enabled/disabled on a partition using the [*][4] command.

Temperature display

Indoor and outdoor temperature can be displayed on system keypads if configured in keypad programming section [861]-[892]>[023] option 7, and sections [041]-[042]. Temperature is detected using wireless temperature sensors installed on the system. See [Compatible devices](#)

ⓘ **Note:** Global keypads only display outdoor temperature.

Low temperature warning

Keypads can be configured to detect low ambient temperature.

If the temperature at the keypad drops to 6° C ± 2° C (43° F ± 3° F), the keypad zone goes into alarm. When the temperature rises above 9° C ± 2° C (48° F ± 3° F), the keypad zone is restored.

When this option is enabled, the keypad's zone input functionality is disabled.

Refer to section [861]-[892]>[023] option 8 for more information.

ⓘ **Note:** This feature has not been evaluated by UL/ULC.

Keypad function keys

Keypads have five programmable function keys that can be configured to perform one of the following actions:

Table 18: Function key programming options

Function key	Description	Function key	Description
[00]	Null function key	[17]	Arm interior
[02]	Instant stay arm	[21]-[24]	Command output 1 to 4[*][71] - [*][74]
[03]	Stay arm	[29]	Bypass group recall
[04]	Away arm	[31]	Local PGM activate
[05]	[*][9] No entry arm	[32]	Bypass mode
[06]	[*][4] Chime on/off	[33]	Bypass recall
[07]	System test	[34]	User programming [*][5]
[09]	Night arm	[35]	User functions [*][6]
[12]	Global stay arm	[37]	Time & date program
[13]	Global away arm	[39]	Trouble display [*][2]
[14]	Global disarming	[40]	Alarm memory [*][3]
[15]	Temperature	[61]-[92]	Partition 1 to 32 select
[16]	Quick exit		

To program a function key:

1. Enter Installer Programming [*][8].
2. Enter section [861] for keypad 1 function key programming.

3. Enter [001] to [005] to select a function key to program.
4. Enter a 2-digit number to assign a function key operation - [00] - [92]. See table above.
5. Continue from step 3 until all function keys are programmed.
6. Press the [#] key twice to exit Installer Programming.
 - ⓘ **Note:** Programmed function keys must be pressed for 2 seconds in order to activate the function.

Function key definitions

This section provides detailed descriptions of each programmable function key option.

[00] Null function key

This option deactivates the function key. The key does not perform any function when pressed.

[02] Instant stay arm

This feature is similar to the Stay Arm function key, except that no exit delay is applied and the system arms immediately.

If no Stay/Away zone types are programmed, the alarm system arms in Away mode.

ⓘ **Note:** Do not use this function with CP-01 installations.

[03] Stay arm

Only perimeter zones are armed. Interior zones are bypassed regardless of whether or not delay zones are tripped during the exit delay.

[04] Away arm

All interior and perimeter zones are armed. CP-01 panels require an exit through a delay zone during the exit delay or the system will arm the perimeter zones only.

[05] No entry arm [*][9]

All Delay 1 and Delay 2 zones become instant zones. If a door or window is opened the system goes immediately into alarm. This function is typically used when no occupants are expected to return to the site during the armed period. Activation of this function key requires an access code. This function only works while the system is disarmed.

See [*][9] [No-entry arming](#) for more information.

[06] Chime on/off

This function turns the door chime on or off and is the equivalent of pressing [*][4]. The alarm system must be disarmed to use this function. If option 7 in section [023] is enabled, this function key requires an access code.

[07] System test

This function performs a system test when pressed and is the equivalent of entering [*][6][Access Code][04]. The alarm system must be disarmed to use this function. See [*][6] [User functions](#) for more information.

[09] Night arm

All perimeter and interior zones, excluding Night zones, are armed. This key only works while the system is disarmed or armed in Stay mode.

If no Night type zones are programmed, the alarm system arms in Away mode with an audible exit delay. Exit delay is silent.

Arming in this mode activates the Away Arming PGM output.

[12] Global stay arm

This function arms all partitions assigned to the user in Stay mode, provided they are ready to arm. If a partition is not ready, the system cannot be armed. An access code is required with this option.

[13] Global away arm

This function arms all partitions assigned to the user in Away mode, provided they are ready to arm. If a partition is not ready, the system cannot be armed. An access code is required with this option.

[14] Global disarming

This function disarms all partitions assigned to the user. An access code is required with this option.

[15] Temperature

This function allows the keypad to directly access the temperature display menu.

[16] Quick exit

Pushing this key gives the user a 2 minute window to open and close one delay zone once without having to disarm the system. This function is equivalent to entering [*][0] at the keypad while the partition is armed. If quick exit is not enabled on the system, or if the system is disarmed, pressing this key causes an error tone. An access code is not required to use this key. See [\[015\] System Option 3](#) for more information.

[17] Arm interior

This key removes or enables automatic bypass on all Stay/Away zones (equivalent to pressing [*][1] while armed).

If this function is performed while stay armed and, Night zones are programmed, the system arms in Night mode. If no Night zones are programmed, the system arms in Away mode. If armed in Night or Away mode, this key switches the system back to Stay mode. Pressing this key does not switch the arming mode from Night to Away.

This key only works while the system is armed and requires an access code entry if section [015] option 4 is disabled.

[21]-[24] Command output 1 to 4

This function controls command outputs 1-4 and is the equivalent of entering [*][7][X], where X is 1, 3 or 4.

An access code is required to use this function.

Selecting command output 2 is the equivalent of pressing [*][7][2] sensor reset. See [103 - Sensor Reset \[*\]\[7\]\[2\]](#) for more information.

[29] Bypass group recall

This function bypasses all zones belonging to the bypass group.

Zones must be saved in the bypass group for this function key to operate. An access code is required to use this feature if section [023] option 4 is enabled.

ⓘ **Note:** Do not use with wireless keys.

[31] Local PGM activate

This function controls a PGM connected to a keypad.

[32] Bypass mode

This function places the keypad in Zone Bypass mode. Selecting this function is the equivalent of pressing [*][1] while disarmed. If an access code is required for bypassing, the user must enter the access code before using this function. An access code is required if section [023] option 4 is enabled.

[33] Bypass recall

This function bypasses the same set of zones that were bypassed the last time the partition was armed. This function is equivalent to pressing [999] while in the [*][1] menu. An access code is required to use this feature if section [023] option 4 is enabled.

[34] User programming

This function is the equivalent of entering [*][5]. A master or supervisor access code is required to use this function. This key only works while the system is disarmed.

[35] User functions

This function puts the keypad in user programming mode and is the equivalent of entering [*][6]. An access code is required to use this function. If section [023] option 8 is off, only the Master or Supervisor code can access the [*][6] menu.

[37] Time & date program

This function places the keypad in date/time programming mode. A valid access code is required.

[39] Trouble display

This function puts the keypad in trouble display mode and is equivalent to pressing [*][2]. This function only works while the system is disarmed. This function key requires a code if section [023] option 5 is enabled.

[40] Alarm memory

This function puts the keypad in alarm memory display mode and is equivalent to pressing [*][3]. This function only works while the system is disarmed. This function key requires a code if section [023] option 6 is enabled.

[61]-[92] Partition 1 to 32 select

This function selects partition 1 to 32 when the assigned key is pressed. Pressing and holding the key for 2 seconds selects the next partition.

Language selection

The keypad can be programmed to display messages and labels in different languages. Perform the following from the Installer Programming menu:

1. Enter installer programming [*][8][installer code]
2. Enter section [000]>[000].
3. Select a language using the scroll buttons or by entering a hotkey:

Table 19: Table 5 Languages

Option	Language	Option	Language
[01]	English	[15]	Greek
[02]	Spanish	[16]	Turkish
[03]	Portuguese	[17]	Croatian
[04]	French	[18]	Hungarian
[05]	Italian	[19]	Romanian
[06]	Dutch	[20]	Russian
[07]	Polish	[21]	Bulgarian
[08]	Czech	[22]	Latvian
[09]	Finnish	[23]	Lithuanian
[10]	German	[24]	Ukrainian

Table 19: Table 5 Languages

Option	Language	Option	Language
[11]	Swedish	[25]	Slovakian
[12]	Norwegian	[26]	Serbian
[13]	Danish	[27]	Estonian
[14]	Hebrew	[28]	Slovenian

4. Press [#] to exit.
5. After changing the language, a label default needs to be performed. [000] [999].
 - ⓘ **Note:** Ensure the LCD keypad supports the desired languages.

[*] Commands

[*] commands provide convenient access to alarm system features. The following commands are available:

Command	Description
[*][*]	Temperature function
[*][1]	Bypass zones
[*][2]	View troubles
[*][3]	View alarms in memory
[*][4]	Door chime on/off
[*][5]	User programming
[*][6]	User functions
[*][7]	Command output 1-4 on/off
[*][8]	Installer programming mode
[*][9]	No entry arming
[*][0]	Quick arm/exit

While in a [*] command menu, use the [*] key to select an option and the [#] key to exit to the previous screen. On an LCD keypad, use the scroll keys to view options.

[*][*] Temperature function

In this menu, wireless PowerG devices that have temperature reporting capabilities are shown. Scrolling through the menu displays the zone label for all the temperature capable zones on that partition. This feature can be programmed to require an access code.

To enable temperature reporting on wireless PowerG devices, section [804][810] option 5 must be on. A function key can also be programmed for this feature. See [023] [System Option 11](#)

[*][1] Bypass or stay/away/night zones

The [*][1] command functions differently depending on whether the system is armed or disarmed.

- ⓘ **Note:** For UL/ULC listed installations, group bypass is not allowed.

The zone attribute for zone bypassing must be enabled (see section [002] Zone Attributes, Option 04).

Holdup zones should not be part of bypass groups.

A zone that is manually bypassed via [*][1] will bypass the alarm, fault, and tamper conditions when DEOL is used.

If a 24-hour zone is bypassed, ensure that the zone is restored or disabled before removing the bypass.

When the alarm system is disarmed

Users can bypass individual zones or a programmed group of zones using the [*][1] keypad command. Zones are commonly bypassed if users want to have access to an area while the partition is armed, or to bypass a defective zone (bad contact, damaged wiring) until service can be provided. A bypassed zone does not cause an alarm.

When the partition is disarmed, all zones that were bypassed using [*][1] are no longer bypassed, except for 24-hr zones.

If the Code Required for Bypass option is enabled, an access code is required to enter bypass mode. Only access codes with the Bypass attribute enabled can bypass zones (see [Access code attributes](#)).

Bypassing zones with an LCD keypad:

1. Ensure the system is disarmed.
2. Press [*] to enter the function menu. The keypad displays "Press [*] for < > Zone Bypass."
3. Press [1] or [*], then key in your access code (if required).
4. Scroll to a zone or key in the three-digit zone number. Only zones enabled for zone bypassing are displayed. Enter the 3-digit zone number or scroll to the desired zone and press [*] to bypass the zone.
 - ⓘ **Note:** "B" appears on the display to indicate the zone is bypassed. If a zone is open, "O" appears on the display. When an open zone is bypassed, the "O" is replaced by "B."
5. To clear a bypassed zone, repeat the above procedure. The "B" disappears from the display indicating that the zone is no longer bypassed.
6. To exit bypass mode and return to the ready state, press [#].

Other bypass features

The following features are also available on the [*][1] zone bypass menu:

Bypass Open Zones

Displays all currently open or bypassed zones. Use the scroll keys to view zones. Open zones are indicated by an (O). To bypass a zone, press [*]. A bypassed zone is indicated by a (B).

ⓘ **Note:** Zones with tampers or faults must be manually bypassed.

ⓘ **Note:** This feature shall not be used for UL/ULC listed systems.

Bypass Group

ⓘ **Note:** This feature shall not be used for UL/ULC listed systems.

Displays a programmed group of zones (bypass group) commonly bypassed. Press [*] to bypass all zones in the group.

Program Bypass Group

To program a bypass group, bypass all desired zones then select Bypass Options > Program Bypass Group. The selected zones are saved to the bypass group. When finished, press [#] to exit.

In order to program a bypass group, a master or supervisor code with access to the appropriate partition must be used.

Bypass Recall

Press [*] while in this menu to bypass the same group of zones that were bypassed the last time the partition was armed.

Clear Bypasses

Press [*] to clear all bypasses.

Shortcuts from the [*][1] base menu:

Option	Description
991	Bypass group
995	Program group 1
998	Bypass open zones
999	Bypass recall
000	Clear group

When the alarm system is armed

When the system is armed, pressing [*][1] toggles between stay, away or night arming. If a night zone is on the system, pressing [*][1] either prompts the user for an access code if required, or sounds an acknowledgment tone and changes the arming mode.

- ⓘ **Note:** If section [022], Option 5 [Stay/Away Toggle] is on, the system does not change from Away to Stay mode.

Troubleshooting

LCD programmable-message keypad:

- Press [*][2] followed by access code if required to view a trouble condition
 - The trouble light flashes and the LCD displays the first trouble condition
 - Use the arrow keys to scroll through all trouble conditions present on the system
- ⓘ **Note:** When additional information is available for a specific trouble condition, a [*] is displayed. Press the [*] key to view the additional information.

[*][2] Trouble display

This feature is used to view system troubles. If a trouble is present, the keypad trouble indicator illuminates and an audible indication is emitted (two short beeps every 10 seconds, except while in AC failure). Silence the audible indicator by pressing [#].

Troubles may be viewed while the system is armed or disarmed. The system may be programmed to show all troubles while armed or only fire troubles. See section [13] option 3 for details.

The system can be configured to require a user code to view [*][2] system troubles. See section [023] option 5.

To view trouble conditions:

- Press [*][2] to enter the Trouble menu.
 - On an LCD keypad, scroll to a trouble type then press [*] to view the specific trouble. The zone name and trouble condition for each trouble are displayed on the screen.
- ⓘ **Note:** The trouble beeps generated by fire trouble are only silenced after [*][2] trouble menu is entered and exited. Pressing any key will not silence the fire trouble beeps. For UL installations, Section [023] Option 5 Access Code Required for [*][2] must be enabled.

Table 20: Trouble 01 Service required

Trouble option	Trouble description
[01]	Bell circuit trouble: The bell circuit is open.
[02]	RF jam: The wireless receiver has detected an RF jam condition.
[03]	Loss of clock: System time and date require programming.
[04]	Output 1 fault: An HSM2204 module has detected an open condition on output #1.
[05]	Warm start: Warm restart has occurred.
[06]	USB wifi connected: USB wifi adapter is detected.
[07]	Power unit failure (system): Failure detected with internal power unit.
[08]	Failure detected with internal power unit (HSM3204CX Corbus repeater).
[09]	Failure detected with internal power unit (HSM3350 3 A power supply).
[10]	Overcurrent trouble: If the total current of the panel internal components and all outputs exceeds a threshold of 2.1 A for a period longer than 5 minutes, an overcurrent trouble is generated. When the current goes below a 2.0 A threshold, the trouble restores. Do not exceed 2 A combined between AUX and Corbus. Total current does not include bell current or battery charging.

Table 21: Trouble 02 Battery trouble

Trouble option	Trouble description
[01]	Panel low battery trouble: The battery voltage is low.
[02]	Panel no battery: No battery connected to alarm controller.
[04]	HSM2204 01 - 04 low battery: An HSM2204 has a low battery voltage.
[05]	HSM2204 01 - 04 no battery: No battery connected to HSM2204.
[07]	HSM2300 01 - 04 low battery: An HSM2300 has a low low battery voltage.
[08]	HSM2300 01 - 04 no battery: No battery connected to HSM2300.
[10]	HSM3204CX low battery: A Corbus repeater has a low battery voltage.
[11]	HSM3204CX no battery: No battery connected to Corbus repeater.
[13]	HSM3350 low battery 1: A 3 A power supply module has a low battery voltage.
[14]	HSM3350 low battery 2: A 3 A power supply module has a low battery voltage.
[15]	HSM3350 no battery 1: No battery connected to 3A power supply module.
[16]	HSM3350 no battery 2: No battery connected to 3A power supply module.

Table 22: Trouble 03 Bus voltage

Trouble option	Trouble description
[01]	HSM2HOSTx bus low voltage: The HSM2HOSTx module has measured a low bus voltage.
[02]	Keypad 01 - 32 bus low voltage: A hardwired keypad has a low bus voltage.
[04]	HSM2108 01 - 30 bus low voltage: A zone expander has a low bus voltage.
[05]	HSM2300 01 - 04 bus low voltage: A power supply has a low bus voltage.

Table 22: Trouble 03 Bus voltage

Trouble option	Trouble description
[06]	HSM2204 01 - 04 bus low voltage: A high current output module has a low bus voltage.
[07]	Bus fault (system): Panel Corbus output voltage is too high or too low.
[08]	HSM2208 01 - 16 bus low voltage: The low current output module has detected a low voltage.
[09]	HSM2955 bus low voltage: The audio module has detected a low bus voltage.
[10]	HSM3408 bus low voltage: The 8 zone expander has detected a low bus voltage.
[11]	HSM3204CX bus low voltage: The corbus repeater has detected a low bus voltage.
[12]	HSM3204CX bus fault: The corbus repeater has detected that the corbus output voltage is too high or too low.
[13]	HSM3350 bus low voltage: The 3 A power supply module has detected a low bus voltage.

Table 23: Trouble 04 AC or DC input power

Trouble option	Trouble description
[01]	Zone 001 - 248 AC or DC input power trouble.
[02]	Keypad AC or DC input power trouble: A keypad has an AC or DC input power trouble.
[03]	Siren 01 - 16 AC: A siren has an AC or DC input power trouble.
[04]	Repeater 01 - 08 AC: A wireless repeater has an AC or DC input power trouble.
[05]	HSM2300 01 - 04 AC: An HSM2300 has an AC or DC input power trouble.
[06]	HSM2204 01 - 04 AC: An HSM2204 has an AC or DC input power trouble.
[07]	Panel AC: The alarm controller has an AC failure condition.
[08]	HSM3204CX AC: A corbus repeater has an AC or DC input power trouble.
[09]	HSM3350 AC: The 3 A power supply has an AC or DC input power trouble.

Table 24: Trouble 05 Device faults

Trouble option	Trouble description
[01]	Zone 001 - 248: A zone is in supervisory fault.
[02]	Keypad 01 - 32: A wireless or hardwired keypad is in supervisory fault.
[03]	Siren 01 - 16: A siren is in supervisory fault.
[04]	Repeater 01 - 08: A wireless repeater is in fault (supervisory or loss of AC/DC).
[06]	Device mask: A detection mechanism on the sensor is masked.
[07]	Gas trouble: A gas sensor is in fault.
[08]	Heat trouble: A temperature sensor is in fault or a temperature reaches the high temperature warning threshold.
[09]	CO trouble: A CO sensor is in fault.

Table 24: Trouble 05 Device faults

Trouble option	Trouble description
[10]	Freeze trouble: A temperature sensor falls below the low temperature warning threshold.
[11]	Probe disconn.: The probe on the flood detector or the temperature detector is disconnected.
[12]	Fire trouble: A smoke sensor is in fault. Fire trouble is displayed directly under device faults when there is an open loop condition for PGM-2 configured for 2-wire smoke.

Table 25: Trouble 06 Device low battery

Trouble option	Trouble description
[01]	Zone 001- 248: Wireless zone has a low battery.
[02]	Keypad 01-32: Keypad has a low battery.
[03]	Siren 01 - 16: Siren has a low battery.
[04]	Repeater 01 - 08: Repeater has a low battery.
[05]	User 01 - 1000: Wireless key has a low battery.

Table 26: Trouble 07 Device tampers

Trouble option	Trouble description
[01]	Zone 001 - 248 tamper: A wireless or hardwired zone is in tamper.
[02]	Siren 01 - 16 tamper: A wireless siren is in tamper.
[03]	Repeater 01 - 08 tamper: A wireless repeater is in tamper.
[04]	Audio station 01 - 04 tamper: An audio station connected to an HSM2955 is in tamper.

Table 27: Trouble 08 RF Delinquency

Trouble option	Trouble description
[01]	Zone 001 - 248 RF delinquency: No response from a wireless zone for 13 minutes. This trouble prevents arming until acknowledged or cleared using [*] [2].
[02]	Keypad 01 - 32 RF delinquency: No response from a wireless keypad for 13 minutes.
[03]	Siren 01 - 16 RF delinquency: No response from a wireless siren for 13 minutes.
[04]	Repeater 01 - 08 RF delinquency: No response from a wireless repeater for 13 minutes.

Table 28: Trouble 09 Module supervisory

Trouble option	Trouble description
[01]	HSM2HOSTx is not responding.
[02]	Keypad 01 - 32 is not responding.
[04]	HSM2108 01 - 30 is not responding.
[05]	HSM2300 01 - 04 is not responding.

Table 28: Trouble 09 Module supervisory

Trouble option	Trouble description
[06]	HSM2204 01 - 04 is not responding.
[08]	HSM2208 01 - 16 is not responding.
[09]	HSM2955 is not responding.
[11]	HSM3408 is not responding.
[12]	HSM3204CX is not responding.
[13]	HSM3350 is not responding.

Table 29: Trouble 10 Module tamper

Trouble option	Trouble description
[01]	HSM2HOSTx tamper.
[02]	Keypad 01 - 32 tamper.
[04]	HSM2108 01 - 30 tamper.
[05]	HSM2300 01 - 04 tamper.
[06]	HSM2204 01 - 04 tamper.
[08]	HSM2208 01 - 16 tamper.
[09]	HSM2955 tamper.
[10]	Alternate communicator tamper.
[11]	HSM3408 tamper.
[12]	HSM3204CX tamper.
[13]	HSM3350 tamper.

Table 30: Trouble 11 Communications

Trouble option	Trouble description
[01]	TLM: Telephone line disconnected from control panel.
[02]	Receiver 01-04 FTC trouble: Failure to communicate using programmed receiver paths.
[04]	Alternate communicator cellular: Radio or SIM card failure, low signal strength detected, or cellular network fault.
[05]	Alt. comm ethernet: Ethernet connection unavailable. A valid IP address is either not programmed or the module was unable to get an IP with DHCP.
[06]	Receiver 01-04 trouble: Alternate communicator unable to initialize a receiver.
[07]	Receiver 01-04 supervision: Alternate communicator unable to communicate with a receiver.
[09]	Alt comm fault: The alternate communicator has stopped responding.
[10]	Alt comm FTC trouble: The alternate communicator has failed to communicate an internal event not generated by the panel.

Table 31: Trouble 12 Not networked trouble

Trouble option	Trouble description
[01]	Zone 001-248 Not Networked: Generated when a zone becomes out of sync with the wireless network or has not been synchronized with the network after enrollment.
[02]	Keypad 01-32 Not Networked: Generated when a keypad becomes out of sync with the wireless network or has not been synchronized with the network after enrollment.
[03]	Siren 01-16 Not Networked: Generated when a siren becomes out of sync with the wireless network or has not been synchronized with the network after enrollment.
[04]	Repeater 01-08 Not Networked: Generated when a repeater becomes out of sync with the wireless network or has not been synchronized with the network after enrollment.
[05]	User 01 - 1000 Not Networked: Generated when a wireless key becomes out of sync with the wireless network or has not been synchronized with the network after enrollment.

Table 32: Trouble 13 AUX Troubles

Trouble option	Trouble description
[05]	HSM2300: 1 A power supply AUX output voltage is out of range.
[06]	HSM2204: A high current AUX output module output voltage is out of range.
[07]	System Area: AUX output voltage is out of range.
[10]	HSM3408: The 8 zone expander AUX output voltage is out of range.
[11]	HSM3204CX: The corbus repeater AUX output voltage is out of range.
[12]	HSM3350 AUX 1 Trouble: 3 A power supply AUX output voltage is out of range.
[13]	HSM3350 AUX 2 Trouble: 3 A power supply AUX output voltage is out of range.

Table 33: Trouble 14 Limit exceeded trouble

Trouble option	Trouble description
[01]	Interactive zone: The number of zones configured in the panel is not supported by Alarm.com firmware (for example > 220).
[02]	Interactive partition: The number of partitions configured is not supported by Alarm.com firmware (for example > 8).

- ① **Note:** Ensure you have the alarm controller type and version, (for example, HS3032, 1.1) and the list of modules connected to control panel (for example, HSM2108, HSM2HOSTx and so on) available before contacting Customer Support. Version number can be accessed by entering [*][Installer Code][900] on any keypad. This information is also located on a sticker on the printed circuit board.

[*][3] Alarm memory display

The Memory light flashes if an alarm, tamper or fault event occurred during the last armed period or while the panel was disarmed (24 hour zones). Press [*][3] to view zones in alarm memory. To clear the memory, arm and disarm the system. When viewing alarms in memory, LCD keypads indicate the last zone that has gone into alarm first, followed by other alarms in numerical order.

This feature can be programmed to require an access code. See [023] [System Option 11](#), option 6 for details.

A programmable function key may be configured to display alarms in memory. See [Keypad function keys](#) for details.

[*][4] Door chime enable/disable

When this feature is enabled, the keypad emits a tone when a zone programmed as a Chime type is opened or closed. Pressing [*][4] toggles between enabled and disabled. The door chime attribute for each zone is programmed in section [002], subsections [001]-[248] option 4.

A function key can also be programmed to enable/disable this feature. See [Keypad function keys](#) for details. This feature may require an access code. See [023] [System Option 11](#) option 7 for details.

The following door chime sounds may be selected:

- beeps
- "Bing-Bong"
- "Ding-Dong"
- Alarm tone
- Zone Name -Voice annunciation (HS2LCDWFVPROx keypads only)

The above door chime sounds are programmable in section [861]-[892], subsections [101]-[228].

[*][5] Program access codes

Use this section to perform the following functions:

- press [1] to program user codes 0002-1000, and master code 0001
- press [2] to enroll a proximity tag
- press [3] to add a custom label for each user
- press [4] to assign users to partitions
- press [5] to program user attributes

Assign access codes

In order to access alarm system functionality, users must be added to the system. This involves creating a unique access code and assigning attributes to each user. Access codes are programmed via the [*][5] menu.

Access code types

The alarm system provides the following access code types:

Code	Add user	Delete user	Arm	Disarm	[*][5]	[*][6]	[*][8]
Installer	No	No	No	No	No	No	Yes +
Master	All*	All	Yes	Yes	Yes	Yes	No
Maintenance	No	No	Yes	Yes	No	No	No
User	No	No	Yes	Yes	No	No**	No

Code	Add user	Delete user	Arm	Disarm	[*][5]	[*][6]	[*][8]
Supervisor	All but master	All but master	Yes	Yes	Yes	Yes	No
Duress	No	No	Yes	Yes	No	No	No
One-time use	No	No	Yes	1/day	No	No	No

+ If section [020] option 7 is on, a user must enter [*][6][Master Code][05] to give the installer permission to access programming.

* Can only change master code if section [015] option 6 is off.

** Yes if [023] option 8 is on.

The Installer and Master codes are system codes. They can be changed but not deleted. The other codes are user-defined and can be added or deleted as necessary. By default, access codes have the same partition and attribute programming as the code used to program them.

Access codes are either 4, 6 or 8 digits in length, depending on the setting of programming section [041]. Duplicate codes are not valid.

① **Note:** EN50131-1 compliant systems using more than 100 access codes shall set the access code to 8 digits (section [041], option 02).

Installer Code

This code provides access to Installer Programming [*][8]. The installer code is only used to gain access to configure the system through [*][8] Installer Programming and does not have access to any other function. This code can be programmed by the installer in section [006][001]. The default is 5555 (4-digit), 555555 (6-digit) or 55555555 (8-digit).

① **Note:** EN For EN50131-1 approved installations the installer code cannot change the master code or any other level 3 codes. Attempting to access the master code from the installers code generates an error tone from the system.

Master Code - Access Code [0001]

By default the master code can access all partitions and can perform any keypad function. This code can be used to program all access codes, including the supervisor and duress codes.

If section [015] option 6 is on, the master code can only be changed by the installer via Installer Programming.

The default is 1234 (4-digit), 123456 (6-digit) or 12345678 (8-digit).

EN The master code can be returned to factory default settings using Installer Programming section [989].

Maintenance Code

The maintenance code can only be used to arm and disarm the system. It cannot bypass zones. Use [*][9] to arm the system, cancel auto-arming, or perform [*][7] command functions. No arm/disarm bell squawks are sounded when the maintenance code is used. The Maintenance code can be programmed by the installer in programming section [006][003]. The default is AAAA (4-digit), AAAAAA (6-digit) or AAAAAAAA (8-digit).

User Codes - Access Codes [0002] to [1000]

This type of access code is used to arm and disarm assigned partitions and perform other functions as programmed. It can access the [*][6] menu if programming option [023] option 8 is on. This code cannot access the [*][5] and [*][8] menus.

User access codes are created by the master user or supervisor users. The default is AAAA (4-digit), AAAAAA (6-digit) or AAAAAAAA (8-digit).

Supervisor Codes - Access Codes [0002] to [1000]

A supervisor code is a user code with the Supervisor attribute enabled. Users with this attribute can access the [*][5] and [*][6] user code programming section for the partition they are assigned to. However, these codes can only program codes which have equal or lesser attributes. These attributes are changeable via the [*][5] menu. A supervisor code is created by the master user or other supervisor users.

Duress Codes - Access Codes [0002] to [1000]

Duress codes function the same as user access codes, except they transmit a duress reporting code when used to perform any function on the system.

Duress codes cannot be used to access [*][5], [*][6] or [*][8] menus.

Duress codes are created by the master user or supervisor users.

❶ **Note:** Section [019] option 6 must be on to select the Duress Codes attribute.

One Time Use Code

A one time use code is a user code with the One Time User attribute enabled. This access code enables the user to arm the alarm system an unlimited number of times. However, a user with this code can only disarm the system once per day. The ability to disarm is reset at midnight or when the one time user code is keyed in by the master code user.

❶ **Note:** One time use code cannot be applied to wireless keys. One time use codes are created by the master user or supervisor users.

To add an access code using an LCD keypad:

1. Press [*][5][master/supervisor code] to edit access codes 0002-1000.
2. Use the scroll keys to select a user then press [*] to edit.
3. On the "Press (*) for Access Code" menu, press [*]. The current access code is displayed.
4. Key in the new access code. The code is saved when the last number is keyed in.
 - To erase an access code, select the user number and enter [*] as the first digit. All digits of the access code must be entered.
 - A "-" beside a user code indicates it is not programmed. A "P" indicates the code is programmed. A "T" indicates the code is programmed and a proximity tag is enrolled.

Access code attributes

Each user code has 6 attributes that can be toggled on or off.

The default attributes of an access code are the same as the code used to enter [*][5], whether a new code is programmed or an existing one is edited. The available attributes are as follows:

- Supervisor
- Duress code
- Zone bypassing
- Remote access
- Bell squawk

- One time use code

Supervisor

Converts standard user into supervisor user. See [Access code types](#) on page 58 for details.

Duress Code

Converts standard user code into duress code. See [Access code types](#) for details.

Zone Bypassing

Users with this attribute can bypass zones. Section [023] option 4, Access code required for [*][1], must be on to use this attribute.

Bell Squawk

When this option is assigned, the main bell squawks when the alarm system is away armed. For example, use the arm/disarm bell squawk attribute to have wireless key access codes squawk the bell, while other codes are silent. To do this, enable this attribute on all access codes associated with wireless keys. This option is off by default for all access codes.

- ① **Note:** One squawk indicates arming completed; two squawks indicates disarming completed. This feature is independent of the system option “Bell Squawk on Away Arming”. See [\[017\] System Option 5](#)

The master code attributes cannot be changed from default. The bell squawk is off at default.

One Time Use Code

Converts standard user code into one time use code. See [Access code types](#) for details. Do not apply this code to users with wireless keys assigned.

Using an LCD keypad

1. Press [*][5][Master Code].
2. Use the scroll keys to choose a user (02-1000) then press [*] to select.
3. Scroll to “Press [*] for User Options” then press [*] to select.
4. Scroll to a user attribute and press [*] to toggle it on or off.

Add user labels

Custom labels can be programmed for each user to more easily identify them on the alarm system. Labels can be a maximum of 16 characters.

Using an LCD keypad

1. Press [*][5] then select a user (02-1000).
2. On the “Press [*] for User Labels” screen, press [*].
3. Key in the custom user label. For instructions on how to input labels, see [\[000\] Label Programming](#)

Assigning proximity tags

This section is used to assign proximity tags to users.

Using an LCD keypad

1. In the [*][5] menu, select a user or enter a user number.
2. Select “Press [*] for Prox Tag”, then pass the enrolled tag near the tag reader on the keypad. A proximity tag can only be assigned to one user at a time.

To delete a proximity tag:

1. Select a user and then select Press [*] for Prox Tag.
2. Press the [*] key when prompted to delete the proximity tag.

To increase authentication flexibility, user access can be achieved by entering a valid user code or by swiping a proximity tag. Alternatively, users can be required to enter a valid access code and present a proximity tag. See [\[040\] User Authentication](#).

Assigning users to partitions

Each user code must be assigned to a partition(s) in order for the user to be recognized by the alarm system. By default, each code has the attributes of the code used to program it.

Using an LCD keypad

1. Press [*][5][Master Code] then select a user (0002-1000). An “N” indicates they are not yet assigned to a partition. A “Y” indicates they are assigned to a partition.
2. Scroll to the partition assignment screen then press [*].
3. Use the number keys to assign partitions.
4. Press [#] to exit.

ⓘ **Note:** The master code has access to all partitions and cannot be modified.

User authentication options

The alarm panel can be configured to accept one of two user authentication methods:

1. User code or proximity tag - the user can access the system by entering a valid code or by presenting a proximity tag.
2. User code and proximity tag - the user must enter a valid code and present a proximity tag to access the system. The user code and proximity tag must match. For example, if the tag is associated with user 0004, user code 0004 must be entered after presenting the tag. Any other user code is treated as invalid.

See [\[040\] User Authentication](#).

ⓘ **Note:** An access code does not have to be programmed in order for a proximity tag or wireless key to be operational.

[*][6] User functions

The [*][6] command provides access to functions described below. If section [023] option 8 is on, any user code can access this menu. If option 7 is off, only the master or supervisor code can access this menu.

Event buffer

Menu: [*][6][Master Code] > Event Buffer

Keypad: [*][6][Master Code] > [*]

This option is used to view system events stored in the event buffer.

Events are listed in the order they occurred, starting with the most recent. The time and date are listed for all events. Some events may have a second screen with a description. An asterisk (*) on the first screen indicates that a second screen is available.

If programmed, the event buffer automatically uploads to DLS/SA when it reaches 75% capacity. See [DLS programming](#).

System test

Menu: [*][6][Master Code] > System Test

Keypad: [*][6][Master Code] + 04

Select this option to test the alarm system's bell output, keypad buzzer and lights, communicator and standby battery.

Time and date

Use this section to program the alarm system clock.

Menu: [*][6][Master Code] > Time and Date

Keypad: [*][6][Master Code] + 01

Enter time and date using the following format: (HH:MM); (MM-DD-YY). Valid time entries are 00-23 hours, 00-59 minutes. Valid date entries are 01-12 months, 01-31 days.

Other programming options that may affect this user function:

See [\[901\]/\[902\] - Daylight savings begin/end](#).

Auto-arm/Disarm

Menu: [*][6][Master Code] > Auto Arm/Disarm

Keypad: [*][6][Master Code] + 02

With this feature enabled, the alarm system automatically arms in away mode (stay/away zones active) or disarms at a programmed time each day (see Auto-Arm Time below). The keypad emits three beeps to indicate the auto arming is enabled and one long beep to indicate auto arming is disabled.

All arming inhibit features such as latching tampers, AC inhibit, etc. also inhibit Auto Arming and send the Auto Arm Cancellation code.

Auto-arm time

Menu: [*][6][Master Code] > Auto Arm Time

Keypad: [*][6][Master Code] + 03

This function is used to program the time of day each alarm system partition automatically arms. To program an auto-arm time, select a day of the week and then key in the time. Valid time entries are 00-23 hours: 00-59 minutes.

At the programmed time, the keypad buzzers beep for a programmed duration (for ULC commercial burglary installations minimum duration is 10 minutes) to warn that automatic arming is in progress. The siren also squawks once every 10 seconds during this warning period if programmed to do so. When the warning period is complete, the system arms in away mode.

Auto-arming can be canceled or postponed only by entering a valid access code during the programmed warning period. When a code is entered, the warning is silenced and auto-arming is canceled or postponed, depending on the auto-arm postpone timer. The Auto Arm Cancellation reporting code is transmitted (if programmed).

❗ **Note:** Auto-arming will not silence an active bell.

❗ **Note:** The Auto-arm Cancellation reporting code is also transmitted if arming is inhibited by one of the following:

- AC / DC Inhibit Arm
- Latching System Tampers
- Zone Expander Supervisory Fault

Other programming options that may affect this function:

[\[151\]-\[182\] Partition Auto-Arm/Disarm](#)

[\[014\] System Option 2](#)

Enable DLS/allow system service

Menu: [*][6][Master Code] > System Serv/DLS

Keypad: [*][6][Master Code] + 05

This function enables and disables the DLS window for either 30 minutes or 6 hours depending on the programming of section [025] option [7].

This function also enables the end user to provide or deny access to [*][8] Installer Programming. When enabled, the installer can access Installer Programming either by DLS or via [*8] if a pre-programmed window has been set. After the window has expired, Installer Programming is unavailable again until the window is re-opened.

❶ **Note:** DLS programming is not UL tested.

Other programming options that may affect this function:

[\[020\] System Option 8](#) and [\[021\] System Option 9](#)

[\[025\] System Option 13](#), bit [\[025\] System Option 13](#)

User call-up

Menu: [*][6][Master Code] > User Call-up

Keypad: [*][6][Master Code] + 06

When selected, this function makes a single attempt to call the downloading computer. The downloading computer must be waiting for the call before downloading can be performed. Only one call-up is attempted. If a DLS phone number is not programmed, the alarm panel attempts to reach the DLS computer via IP connection. If the communicator is not properly configured for IP, an error tone is sounded.

User walk test

Menu: [*][6][access code] > Walk Test

Keypad: [*][6][access code] + 08

Selecting this function places the alarm panel into user walk test mode. The Ready, Armed and Trouble LEDs on the keypad flash to indicate that the test is active. If zones are tripped during a walk test, the system sounds a steady 2-second tone on all keypads and the main bell to indicate that the zone is working correctly.

The walk test can be stopped at any time by re-entering [*][6][Master Code][08] on the keypad. The test automatically terminates after 15 minutes of inactivity. An audible warning begins 5 minutes prior to automatic termination.

❶ **Note:** Fire and CO alarms are not tested in the user walk test. If a fire or CO alarm is detected, walk test ends automatically and the appropriate reporting codes are sent immediately to the monitoring station. Refer to the manufacturers instructions provided with CO and Fire detectors for testing. This feature is not available in CP-01 systems.

Late to open

Menu: [*][6][Master Code] > Late To Open

Keypad: [*][6][Master Code] + 09

This function enables or disables the Late to Open option. This option sends a reporting code to the central monitoring station if the partition has not been disarmed by a programmed time.

Other programming options that may affect this function:

[201]-[232][001]-[004] Partition command output labels, option [211] Miscellaneous Open/Close Events.

Late-to-open time

Menu: [*][6][Master Code] > Late To Open Time

Keypad: [*][6][Master Code] + 10

This function is used to program the time of day the partition must be disarmed by when the Late to Open option is enabled. A separate time can be programmed for each day of the week. Valid data entries are 00:00 - 23:59. 99:99 disables the late to open feature for the selected day.

Select a day of the week by scrolling while in the Late to Open menu, or by using keys 1-7 to select Sunday to Saturday respectively.

Brightness control

Menu: [*][6][Master Code] > Brightness Control

Keypad: [*][6][Master Code] + 12

This function is used to change the brightness level of keypad display backlighting. Use the scroll keys to increase and decrease brightness or enter a value from 00 to 15. Selecting 00 turns off keypad backlighting.

Contrast control

Menu: [*][6][Master Code] > Contrast

Keypad: [*][6][Master Code] + 13

This function is used to change the contrast level of keypad displays. Use the scroll keys to increase and decrease contrast or enter a value from 00 to 15. Selecting 00 turns off keypad contrast.

Buzzer control

Menu: [*][6][Master Code] > Buzzer Control

Keypad: [*][6][Master Code] + 14

This function is used to change the volume level of keypad buzzers.

Use the scroll keys (LCD keypads) or the [*] key (LED/ICON keypads) to increase and decrease volume or key in a value from 00 to 15. Selecting 00 turns off the keypad buzzer.

ⓘ **Note:** For UL/ULC listed installations, do not turn off the keypad sounder.

Authorize firmware update

Menu: [*][6][Master Code] > Authorize Update

Keypad: [*][6][Master Code] + 17

This function is used to give authorization to the system to start the firmware upgrade process after all firmware upgrade files for the keypads, HSM2HOST and control panel have been fully downloaded.

Once this option is activated, the keypads and system automatically exit [*][6] and indicate that the firmware update is in progress.

Interactive services

Menu: [*][6][Master Code] > Interactive Serv

Keypad: [*][6][Master Code] + 18

This function is used by an alternate communicator to open the Interactive Services menu.

Priority buffer

Menu: [*][6][Master Code] > Priority Buffer

Keypad: [*][6][Master Code] + 19

This function logs priority events to the buffer, preventing accidental or deliberate deletion, or alteration of its contents.

Alarm buffer

Menu: [*][6][Master Code] > Alarm Buffer

Keypad: [*][6][Master Code] + 20

This option is used to view system alarm events stored in the buffer.

Arming buffer

Menu: [*][6][Master Code] > Arming Buffer

Keypad: [*][6][Master Code] + 21

This option is used to view system arming events stored in the memory.

[*][7] Command outputs 1-4

Menu: [*][7][master code if required] > Output Control

Keypad: [*][7][master code if required]

This option is used to activate or deactivate command outputs 1 to 4 for each partition and enable command outputs to follow a schedule.

Using an LCD keypad

1. Press [*][7] to enter Output Control mode.
2. Scroll to an output and press [*] to select it, or key in a command output number. The output is toggled on or off or can activate for a fixed period of time.
3. Press [*][7][9] and enter the system master or supervisor code. Scroll to each command output and press [*] to enable or disable the use of a programmed schedule to control the output.

ⓘ **Note:** If no command outputs are programmed this function is not available. See [121-124 - Command Outputs 1-4](#)

[*][8] Installer programming

Use this option to place the alarm system in Installer Programming mode. Installer Programming is used to manually program alarm panel and module options. An installer code is required to access this function.

Installer Programming is exited automatically after 20 minutes of inactivity.

When viewing data in sections with an LCD keypad, use the [<] and [>] keys to scroll.

[*][9] No-entry arming

This function is used to arm the alarm system while occupants are on the premises. Pressing [*][9] and then entering an access code arms the panel without an entry delay on delay type zones and bypasses stay/away and night type zones.

After the exit delay, delay 1 and delay 2 type zones behave the same as instant zones. Stay/away zones remain bypassed. The entry delay can be activated or deactivated at any time while the system is armed using [*][9]. After the exit delay, the Armed LED blinks to indicate the system is armed in no-entry mode.

ⓘ **Note:** If the alarm system is armed using [*][9], disarming is only possible from a keypad inside the premises unless a wireless key is used.

- ① **Note:** Entry of a valid access code is required following this key only when the system is disarmed. When armed, if programming section [015] option 4 (Quick Arming/Function Key) is off, an access code entry is required.

Global delay zones always have an entry delay, even if the system is armed using [*][9].

[*][0] Quick arm/exit

This feature operates differently depending on whether the alarm system is armed or disarmed.

- ① **Note:** This feature shall not be used for EN50131 certified systems.

When disarmed:

Pressing [*][0] arms the alarm system without having to enter an access code. This provides a fast method of arming for regular users and allows users without an access code to arm the system.

- ① **Note:** The Quick Arm feature (section [015] option 4) must be enabled for this function to operate as intended. Function keys also will not require an access code when this option is enabled.

When armed:

This feature allows the user to exit the premises while the alarm system is armed without having to disarm then rearm it.

Pressing [*][0] starts a 2-minute timer that enables any door programmed as a delay zone to be opened and closed once without triggering an alarm.

If the door is not closed at the end of the 2-minute timer, the entry delay sequence begins. Any additional activity on another zone triggers the associated alarm or delay sequence.

Visual verification

This feature enables the central station operator to view captured images of the premises in the event of an alarm event. Combination camera/motion detectors can be installed throughout the premises to provide visual verification coverage. The microphone on the camera PIR can be disabled.

Visual verification sessions are triggered by the following:

- Fire key
- Medical key
- Panic key
- Alarms detected by armed PIR Cameras

To set up visual verification on a partition:

- Enroll the camera PIR; [804]
- Set visual verification options; [804]>[841]:
 - [001] Visual Verification Enable/Disable
 - [002] View Time Window
 - [003] View Other Alarms
- Input a custom label to identify the camera PIR; [000]>[001]
- Enable this option on the alternate communicator (in [851]>[010] option 2).

Refer to the Camera PIR installation manual for more details.

- ① **Note:** Visual Verification has not been evaluated by UL and shall be disabled for UL certified installations.
- ① **Note:** While an image is being transferred from the PIR camera to a central station receiver, the product cannot capture additional images.

Video on Demand using ITv2 Sessions

For PSP v1.30 and higher, the third party integrator can request a video capture from any PIR camera on the system. The integrator specifies the zone number to request images, and can select the number of images from 1 to 10. If the zone number requested matches an enrolled PIR camera or an associated zone, the panel requests the required number of images from that PIR camera and transfers them on the appropriate ITv2 session.

The following options control Video on Demand (VOD) using ITv2:

- [851][010] Toggle 5 - VOD in Alarm Only
- [851][010] Toggle 6 - VOD in Away Mode
- [804][ZZZ][011] Toggle 5- Video On Demand
- [804][ZZZ][011] Toggle 6 - VOD (Away) Override

Associating zones to a PIR camera

For PSP v1.30, you can trigger a video capture from a PIR camera when any zone on the system goes into alarm.

You can associate a maximum number of eight zones to one PIR camera. If you use a PowerG PGx934 or PowerG PGx944 PIR camera, you can assign any of the eight zones in programming sections [804][xxx][025] to [804][xxx][032], where xxx is any number from 001 to 248.

When a confirmed alarm occurs on the associated zone, the panel requests the ten image video from the associated PIR camera. The system reports the alarm to the receiver or third party integrator and includes a note that a video event is available on request. To link the alarm with the video event, the image header file includes the zone number that triggers the alarm and not the zone number of the PIR camera.

You can programme the PIR camera to work independently of its associated zone. In this case the PIR camera generates its own alarm and reports its image capture as normal. The associated zone can be any one of the 248 zone on the system capable of reporting an alarm condition.

- ① **Note:** You can assign zones to a camera on PSP v1.3 and higher. If you assign a zone to multiple PIR cameras, the video is transferred to ITv2 sessions only from the first PIR camera. The priority of the PIR camera is based on its associated zone number, with zone 1 being the highest.

Programming

How to program

This section describes how to view alarm system programming options using the supported keypad types.

Programming methods

The alarm system can be programmed using the following methods:

Table 34: Programming Methods

Method	Description	Procedure
Template programming	Use pre-defined templates to apply basic programming and to set up DLS.	Press [899] on the Enter Section screen. See Template programming for details.
DLS programming	Download and apply programming using DLS 5.	For local DLS, use a micro USB cable or a Wi-Fi dongle and laptop with DLS 5 software installed. For remote DLS, use a telephone line, cellular network or the Internet.
Installer programming	Manually program all alarm system and device options.	Press [*][8][installer code] while the system is disarmed.

Template programming

Use Template Programming to quickly program the minimum functions required for basic operation. Enter a 5-digit code that selects predefined programming configurations:

Digit 1 – zone 1-8 definition options

Digit 2 – system EOL options

Digit 3 – alarm controller communications options

Digit 4 – alarm controller call directions

Digit 5 – DLS connection options

Perform template programming after completing the hardware installation. Ensure you have the information listed below available. Record this information in the programming worksheets for future reference:

- Monitoring station telephone number - provided by the alarm monitoring service.
- Monitoring station account code - provided by the alarm monitoring service.
- Downloading access code.
- Entry delay - installer defined.
- Exit delay - installer defined.

- Installer code - programmable, unique 4-digit code. The default value is **[5555]**.

To perform template programming:

- Enter **[*][8][installer code][899]**. If this section has been entered accidentally, press [#] to exit and the system programming will not be changed.
- Enter a 5-digit value representing the desired programming options on the *Enter Data* screen. Reference the [Template programming tables](#) for programming information to determine what values are required for the installation.
 - Once the 5-digit number has been entered, the installer cannot exit until all sections are completed. Enter new data and/or press the [#] key to accept the displayed data and proceed to the next section. Changing a single digit, then pressing the [#] key advances to the next section but does not save the changed data.
- After entering a 5-digit template programming value, the first telephone number is displayed. Enter the monitoring station telephone number after the "D." Press [#] to complete the entry.
- After programming the first telephone number, enter a system account code.
 - The system account code can be any 4 or 6-digit combination of numbers (0-9) and letters (A-F).
 - To enter letters **A** through **F**, press [*] then the numbers **1** through **6** for the letter A through F respectively. Press [*] again to revert back to decimal entry. E.g., to enter "1234FF" press [1234*66].

When the system account code programming is completed, enter a partition 1 account code using the same method as the system account code.

- After programming the partition 1 account code, the downloading access code is displayed. Enter the new downloading access code or press [#] to proceed to the next step. The downloading access code must be changed from its default value.
- The next value is a 3-digit partition 1 entry delay time. Press [>][>][>] to accept the default time of 30 seconds (030) or enter an entry delay between 001 and 255. E.g., Press **020** for a delay of 20 seconds.
 - ⓘ **Note:** For CP-01 models of the panel, this value must be 30 seconds or higher.
- The next value is a 3-digit partition 1 exit delay time. Press [>][>][>] to accept the default time of 120 seconds or enter an exit delay between 001 and 255. E.g., press **030** for a delay of 30 seconds.
 - ⓘ **Note:** For CP-01 models of the panel, this value must be 45 seconds or higher.
- After programming the exit delay, enter a 4, 6 or 8-digit installer code, depending on the value in [\[041\] Access Code Digits](#). [\[006\] Installer Defined Access Codes](#) for installer code details.
- Template Programming will automatically exit after the installer code has been programmed.
 - ⓘ **Note:** EN50131-1 compliant systems using 1000 access codes shall set the access code to 8 digits (section [\[041\]](#), option 02).

DLS programming

DLS programming involves downloading custom programming using DLS software and a computer. This can be done locally or by remote.

- ⓘ **Note:** For UL listed systems an installer must be on the premises.

Local programming with micro USB or Wi-Fi adapter

Follow the steps below in the sequence indicated to set up local programming using DLS:

1. Connect AC Wiring.
In a new installation, the backup battery requires 24 Hrs. charging. AC Power is required for USB Programming until the battery is charged.
2. Plug the USB header into the alarm controller. A DLS session is initiated on the DLS computer.
3. When the session is complete, remove the USB cable from the alarm controller.
4. Complete the installation.

Remote programming

DLS programming can be performed remotely by connecting to the alarm system via telephone line, cellular network or Ethernet.

See [\[401\] DLS/SA Options](#) for details.

❶ **Note:** AC Power must be present for the alarm system to answer incoming calls from DLS.

Installer programming

Installer Programming is used to manually program alarm system options. Access this mode by keying in [*][8][Installer Code]. Use the scroll keys to navigate through the menus or jump directly to a specific section by keying in a section number.

Programming consists of toggling on and off options in each section or by populating data fields. For descriptions of all programming options, see [Programming descriptions](#)

Viewing programming

1. Programming sections can be viewed from any system keypad. Generally, programming options are accessed in the following way:
2. Enter Installer Programming mode ([*][8][Installer code]).
3. Navigate to a specific programming section.
4. Select an option to view or change its programming.

All programming options are numbered and can be accessed by navigating through the menu, or by keying in the program section number. For toggle options, the name of the option is displayed.

Use the keypad numbers to toggle options on or off. Sections requiring data input, such as phone numbers, display the full data in fields up to 32 characters long. To input data, use the scroll keys to select a character then press the keypad button corresponding to the number/letter required. Press the [#] key to save changes and exit the program section.

The programming worksheets and descriptions later in this section provide a place to record custom programming settings and are numerically listed to assist in locating specific sections.

Keypad types

The sections below describe how programming is viewed and interpreted using the supported keypad types. For more information, see the instruction sheet included with the keypad.

LCD keypad

LCD keypads use a full-message display that provides visual and numerical navigation through the programming sections. The Armed light illuminates when Installer Programming mode is activated. Use the scroll keys to move through menu options and press [*] to select. Alternatively, enter a specific section number. The Armed light flashes to indicate a sub-section has been selected. Press

[*] to select a sub-section. The Ready light illuminates and the information programmed in the section is displayed.

For programming sections with toggle options, press the corresponding number on the keypad to turn the option on or off. The display changes accordingly.

Sections requiring data input, such as phone numbers, display the full data in fields up to 32 characters long.

To input data, use the scroll keys to select a character then press the keypad button corresponding to the number/letter required. Scroll to the next character and repeat the procedure as needed.

For information on entering HEX data, see below.

Press the [#] key to exit the program section at any time. All changes made up to that point are saved.

Programming hex and decimal data

Hexadecimal (HEX) digits may be required during programming. To program a HEX digit, press the [*] key while in a programming section that requires a data entry. HEX programming mode activates and the Ready light begins to flash.

The following table indicates which number should be pressed to enter the corresponding HEX digit:

Table 35: Table 5 HEX Digit Programming

Value	Enter	Telephone dialer
HEX [A]	Press [*][1][*]	Not supported
HEX [B]	Press [*][2][*]	Simulated [*] key
HEX [C]	Press [*][3][*]	Simulated [#] key
HEX [D]	Press [*][4][*]	Dial tone search
HEX [E]	Press [*][5][*]	Two-second pause
HEX [F]	Press [*][6][*]	End of number

The Ready light continues to flash after the HEX digit is entered. If another HEX digit is required press the corresponding number. If a decimal digit is required, press the [*] key again. The Ready light illuminates and the panel returns to regular decimal programming.

Example: To enter 'C1' for a closing by user 1, enter [*] [3] [*], [1]

[*] to enter hexadecimal mode (Ready light flashes)

[3] to enter C

[*] to return to decimal mode (Ready light is on)

[1] to enter digit 1

If an error is made while inputting data, press the [#] key to exit the section. Select that section again and re-enter the information correctly.

When using a Contact ID format, a decimal zero [0] does not transmit for account and reporting codes. Programming a zero [0] tells the alarm system not to send any pulses for that digit. Decimal zero [0] is a filler digit. To make a zero [0] transmit, it must be programmed as a Hexadecimal 'A.'

Example: For the 4-digit account number '4032', enter [4] [*] [1] [*] [3], [2].

[4] to enter the digit 4

[*] to enter Hexadecimal mode (Ready light flashes)

[1] to enter A

[*] to return to decimal mode (Ready light is solid)

[3] to enter the digit 3

[2] to enter the digit 2

Programming descriptions

This section provides descriptions of all alarm controller options programmable by the installer.

Adding labels

[000] Label Programming

Zone and other labels on the alarm system can be customized.

Program labels locally or download/upload using DLS. Local label programming is done via a system keypad, as described below.

[000] Language selection

To select a language:

1. Enter Installer Programming: [*][8][Installer Code].
2. Enter programming section [000]>[000].
3. Key in the 2-digit number corresponding to the language required. See the following table.

Table 36: Table 5 Language codes

Option	Language	Option	Language
[01]	English	[15]	Greek
[02]	Spanish	[16]	Turkish
[03]	Portuguese	[17]	Croatian
[04]	French	[18]	Hungarian
[05]	Italian	[19]	Romanian
[06]	Dutch	[20]	Russian
[07]	Polish	[21]	Bulgarian
[08]	Czech	[22]	Latvian
[09]	Finnish	[23]	Lithuanian
[10]	German	[24]	Ukrainian
[11]	Swedish	[25]	Slovakian
[12]	Norwegian	[26]	Serbian
[13]	Danish	[27]	Estonian
[14]	Hebrew	[28]	Slovenian

[001]-[248] Zone Labels

Customized labels can be created for each available zone. Labels can be programmed at the keypad or downloaded/uploaded using DLS. The maximum label size is 14 x 2 ASCII characters.

Manual labels

The following procedure describes how to add zone labels using the LCD keypad:

1. Enter Installer Programming: [*][8][Installer Code].
2. Press [*], scroll to Zone Labels and press [*] again. The first zone is displayed. Alternately, press [000][001].

3. Scroll to the zone label to be programmed or key in the zone number. (e.g., 001 for zone label 1).
4. Scroll to the desired character's location using the [<] [>] keys.
5. Enter the number of the corresponding character group until the desired character is displayed (see the following table).

Example: Press the "2" key 3 times to enter the letter "F."

Press the "2" key 4 times to enter the number "2."

To delete a character, use the [<] [>] keys to move the cursor under the character, then press [0].

If any key other than [<] or [>] is pressed before [0], the cursor moves one space to the right and deletes that character.

6. Press [#] to save the changes and exit.

Press	To Select/Display
[*]	[SELECT]
[#]	[ESCAPE]
[0]	[SPACE]
[1]	[A], [B], [C], [1]
[2]	[D], [E], [F], [2]
[3]	[G], [H], [I], [3]
[4]	[J], [K], [L], [4]
[5]	[M], [N], [O], [5]
[6]	[P], [Q], [R], [6]
[7]	[S], [T], [U], [7]
[8]	[V], [W], [X], [8]
[9]	[Y], [Z], [9], [0]

Zone label options

To access zone label options such as using ASCII characters, changing letter case and clearing the display, press [*] while in Zone Label programming. The Select Option menu is displayed. Use the [<] [>] keys to access the following options:

Option	Description
WORD ENTRY	Provides access to the Word Library, a collection of words commonly used when programming labels. See below for details.
ASCII ENTRY	Used to access uncommon characters or as a primary method for programming labels. 255 character entries are available. Use the [<] [>] keys to scroll through the characters or enter a 3-digit number from 000-255. Press [*] to select a character. See ASCII Characters for available ASCII characters.
CHANGE CASE	This option toggles the letter between upper case (A, B, C) and lower case (a, b, c).
CLEAR TO END	This option clears the display from the cursor to the end of the display.
CLEAR DISPLAY	This option clears all characters.
SAVE	Saves the new label.

Word library

The Word Library is a database of words commonly used when programming labels. Individual words can be combined as needed (e.g., Front + Door). Words that do not fit on the first line are automatically moved to the bottom line.

To program a custom label using the Word Library:

1. Enter Installer Programming: [*][8][Installer Code].
2. Press [*], scroll to Zone Labels and press [*] again. The first zone is displayed. Alternately, press [000][001].
3. Scroll to the zone label to be programmed or key in the zone number (e.g., 001 for zone label 1).
4. Press [*] to open the Select Option menu.
5. Press [*] again to select the Word Entry option.
6. Enter the 3-digit number corresponding to a word (see [Word library](#)) or use the scroll keys [<] [>] to view words in the library.
7. Press [*] to select the word.
8. To add another word, repeat the above procedure from step 4.
9. To add a space, press the right scroll key [>].
10. To clear characters, select Clear to End or Clear Display from the Select Options menu.
11. To save the current label, press [#] to exit label programming.

[064] CO alarm message

Use this section to program a custom label that is displayed on keypads during a carbon monoxide alarm. The maximum label size is 14 x 2 characters.

[065] Fire alarm message

Use this section to program a custom label that is displayed on keypads during a fire alarm. The maximum label size is 14 x 2 characters.

[066] Fail to arm event message

This message is displayed on all partition keypads if a user attempts to arm the system when it is not ready to arm. The message clears after five seconds. The maximum label size is 16 x 2 characters.

[067] Alarm when armed event message

This message is displayed if an alarm occurred while the system was armed. The message is displayed when the system is disarmed and remains on the screen for 5 seconds. Following this, the zones that went into alarm are displayed. The maximum label size is 16 x 2 characters.

[100] System label

Use this section to program a custom label for the security system. This label is used in the event buffer when system events occur. The maximum label size is 14 x 1 characters.

[101]-[132] Partition 1-32 labels

Use this section to program a name for each partition for display on partition keypads and event messages. The maximum label size is 14 x 2 characters. See [Programming](#) for specific instructions on how to program labels.

[201]-[232][001]-[004] Partition command output labels

Use this section to program custom labels for command outputs. These labels are used with output activation events in the event buffer. Enter subsection [201] to [232] to select partition 1 to 32, then enter subsection [001] to [004] to select command output 1 to 4 label.

The maximum label size is 14 x 2 characters. See [Programming](#) for specific instructions on how to program labels.

[601]-[604] Schedule labels

Use this section to program custom labels for command output schedules. These labels are used to identify schedules for PGM command outputs 1-4. The maximum label size is 16 characters. See [Programming](#) for specific instructions on how to program labels.

[801] Keypad labels

Use this section to create custom labels for keypads on the system. Select 001-032 for keypads 1 to 32.

[802][001]-[030] HSM2108 Zone expander labels

Use this section to create custom labels for Zone expanders on the system. Select 001-030 for zone expanders 1-30.

[803][001]-[016] HSM2208 Output expander label

Use this section to create a custom label for the output expander. Select 001 for HSM2208. Select 001-016 for output expanders 1-16.

[804][001]-[030] HSM3408 8 zone expander label

Use this section to create a custom label for the 8 zone expansion module. Select 001-030 for zone expanders 1-30.

[806] HSM2HOSTx PowerG transceiver label

Use this section to create a custom label for the 2-way wireless transceiver.

[808] HSM2955 audio verification module label

Use this section to create a custom label for the audio verification module.

[809][001]-[004] HS2300 power supply label

Use this section to create custom labels for power supplies on the system. Select 001-004 for power supply 1-4.

[810][001]-[004] HS2204 high-current output supply label

Use this section to create custom labels for high-current output supplies on the system. Select 001-004 for output supply 1-4.

[811][001]-[004] HSM3350 3 A power supply label

Use this section to create a custom label for the 3 A power supply module. Select 001-004 for power supply 1-4.

[812][001]-[016] HSM3204CX Corbus repeater label

Use this section to create a custom label for the Corbus repeater. Select 001-016 for Corbus repeater 1-16.

[815] Alternate communicator label

Use this section to create a custom label for the alternate communicator.

[820][001]-[016] Siren labels

Use this section to create custom labels for wireless sirens on the system. Select 001-016 for sirens 1-16.

[821][001]-[008] Repeater labels

Use this section to create custom labels for wireless repeaters on the system. Select 001-008 for repeater 1-8.

[999][Installer Code][999] Default labels

This section is used to return all labels to factory settings. Installer code is required to verify deletion.

Zone setup

The following section describes zone programming options. To program a zone type, first enter section [001] and then enter a 3 digit zone number from 001 - 248. After entering a new zone type for the desired zone number, the keypad will automatically advance to the next zone.

[001] zone types

A zone type defines how a zone operates within the system and how it responds when triggered.

Table 6-4: Zone Types

[001]-[248] Select Zone

Every zone on the system must be assigned a zone type. The available zone types are listed below.

000 - Null Zone

Assign to all unused zones.

001 - Delay 1

Commonly assigned to primary points of entry. Follows entry delay 1 and exit delay timers (section [005]). Arming the alarm system starts the exit delay timer. After the exit delay has expired, opening the door starts the entry delay timer. During entry delay, the keypad buzzer prompts the user to disarm the system.

002 – Delay 2

Commonly assigned to secondary points of entry (further from the keypad). Follows entry delay 2 timer (section [005]).

003 - Instant

Commonly used for perimeter doors and windows, this zone type follows the exit delay. The alarm is triggered instantly if the zone is tripped after the exit delay expires.

004 – Interior

Commonly assigned to interior motion sensors near a point of entry, such as a foyer or hallway, that must be accessed to reach the keypad. The alarm is activated if the system is armed and a delay type zone (e.g., front door) is not tripped first, or if the entry/exit timer expires before the alarm is disarmed. Otherwise, the zone is instant if tripped.

005 - Interior Stay/Away

Similar to Interior zone type except that the system bypasses the zone when armed in Stay mode. Commonly used to activate perimeter zones while permitting free movement throughout the interior.

006 - Delay Stay/Away

Similar to delay 1 except that the zone is bypassed when armed in Stay mode. Commonly used with motion detectors that cover an entry point.

007 – Delayed 24-Hour Fire

This zone is used with smoke detectors and functions similar to the standard fire zone, except the communicator delays the alarm memory and transmission by 30 seconds. If the alarm is acknowledged by pressing any key, the siren is silenced and the transmission aborted. If the smoke detector is not restored after the alarm has been acknowledged, the siren output activates after 90 seconds and another 30-second delay starts. A code is required to silence the alarm. A tamper or fault causes a fire trouble to log and transmit.

- ① **Note:** The supervision options (NC, SEOL, DEOL, TEOL) do not affect the functionality of this zone. The restored state of this zone type is 5k6, the alarm state is short, and the trouble state is open.

008 – Standard 24-Hour Fire

This zone is used with smoke detectors. The siren sounds instantly when the smoke detector is activated. If enabled, the communicator immediately transmits the alarm to the monitoring station. A tamper or fault of this zone type causes a fire trouble to log and transmit.

- ① **Note:** The supervision options (NC, SEOL, DEOL, TEOL) do not affect the functionality of this zone. The restored state of this zone type is 5.6k, the alarm state is short and the trouble state is open.

009 - Instant Stay/Away

Commonly assigned to interior motion sensors. This zone type is bypassed when armed in Stay mode, but functions like an Instant zone [003] when armed in Away mode.

010 - Interior Delay

Commonly assigned to interior motion sensors. When Away armed, this zone type functions like the Interior zone type. When Stay or night armed, tripping the zone activates entry delay 1. Tripping this zone during exit delay does not cause the system to arm in Away mode, as tripping a regular Delay type zone does.

011 – Day Zone

Commonly used in areas where immediate notification of entry is desired. When disarmed, tripping this zone activates the keypad buzzer but does not log or report the event. When armed, tripping this zone activates the siren then logs and reports the event.

- ① **Note:** An alarm during exit delay causes the siren to activate and remain on when exit delay expires.

012 - Night Zone

Commonly assigned to interior motion detectors in areas accessed during the night. This zone functions like an Interior Stay/Away zone [005] when armed using any method except the following: If Stay armed, this zone is bypassed; if armed using [*][1], this zone is bypassed.

016 – Final Door Set (Non CP-01 panels only)

UK This zone type does not use an exit timer (infinite exit delay). The door must be opened then closed to complete the arming sequence. The arming method determines if infinite exit delay is applied. See the table below.

- ① **Note:** Disable Exit Delay Termination with this zone type.
- ① **Note:** If this zone type is bypassed, the alarm system cannot be Away armed.

Arming method	Infinite exit delay	Arming mode
User code	Y	Away
Keyswitch	Y	Away
Away key	Y	Away
Wireless key away	Y	Away
*0 arm	Y	Away
*9 arm	N	Stay
Stay key	N	Stay
Wireless key stay	N	Stay

Arming method	Infinite exit delay	Arming mode
Remote Access/SMS		Do not use
DLS arm	N	Away
No activity arming	N	Away

- ① **Note:** When Troubles/Open Zones Cancel Arming is enabled with this zone, any troubles or open zones on the system cancel arming when the zone is tripped and restored.

Due to the potential energy requirements of infinite exit delay, wireless keypads MUST be powered by a transformer.

If a wireless key is used to away arm the system, the door must still be opened then closed to complete the arming sequence. The indoor siren will activate until the exit delay has expired.

017 – 24-Hour Burglary

This zone type is active at all times. It reports an alarm if the alarm system is armed or disarmed. This zone type sounds the siren for the length of Bell time-out if the audible attribute is enabled.

018 - 24-Hour Bell/Buzzer

When the alarm system is armed and this type of zone is tripped, the siren activates for the duration of the bell time-out. If the alarm system is disarmed when this type of zone is tripped, the keypad buzzer activates until an access code is entered.

023 – 24-Hour Supervisory

This zone is active and reports alarms at all times when tripped. The siren and keypad buzzer do not activate.

- ① **Note:** The supervision options (NC, SEOL, DEOL, TEOL) do not affect the functionality of this zone. The restored state of this zone type is 5.6k, the alarm state is short and the trouble state is open. For use with normally open contacts.

024 - 24-Hour Supervisory Buzzer

When tripped, the keypad buzzer emits a steady tone until a valid access code is entered.

025 – Auto Verify Fire

Hardwired smoke detectors

When the zone is activated, a 30-second delay begins but no fire alarm sounds. If the same zone is activated again up to 60 seconds after the delay expires, the alarm is triggered immediately. If the same zone is activated after 60 seconds, the entire sequence begins again.

If a second fire zone is violated during the auto-verify sequence, both zones a fire alarm is immediately triggered.

Wireless smoke detectors

When the zone is activated, a 40-second delay begins. The alarm is triggered if the zone is still faulted after 30 seconds. If the zone is no longer in alarm, an 80-second verification timer begins. If any fire zone is activated during this period, the alarm is triggered.

If another fire zone is activated during the auto verify sequence, both zones go into alarm immediately.

- ① **Note:** Wireless smoke detectors used with this zone type must have a built in siren to act as a pre-alert to the system alarm.
- ① **Note:** The supervision options (NC, SEOL, DEOL, TEOL) do not affect the functionality of this zone. The restored state of this zone type is 5.6kΩ, the alarm state is short and the trouble state is open.

027 - Fire Supervisory

When this zone is tripped, the keypad buzzer activates and a supervisory alarm is sent to the monitoring station. A valid access code must be entered to silence the buzzer.

- ① **Note:** The supervision options (NC, SEOL, DEOL, TEOL) do not affect the functionality of this zone. The restored state of this zone type is 5.6k, the alarm state is short and the trouble state is open.

040 – 24-Hour Gas

Instant alarm when activated, audible alarm at default. This zone type may be assigned to any device type.

041 – 24-Hour CO

This zone type is used with CO detectors. In the event of an alarm, a distinctive siren cadence is sounded. This is followed by a 5-second pause and then repeated. After 4 minutes, the 5-second pause is extended to 60 seconds; however, BTO must be programmed with a value of 5 minutes or higher. The siren is silenced when an access code is entered or the siren times out.

- ① **Note:** The supervision options (NC, SEOL, DEOL, TEOL) do not affect the functionality of this zone. The restored state of this zone type is 5k6, the alarm state is short and the trouble state is open. For use with normally open contacts.

042 - 24-Hour Holdup

Instant alarm when activated, silent alarm at default.

- ① **Note:** Not for use in UL listed installations.

043 - 24-Hour Panic

Instant alarm when activated, audible alarm at default.

045 - 24-Hour Heat

Instant alarm when activated, audible alarm at default.

046 - 24-Hour Medical

Instant alarm when activated, audible alarm at default.

047 - 24-Hour Emergency

Instant alarm when activated, audible alarm at default.

048 – 24-Hour Sprinkler

Instant alarm when activated, audible alarm at default.

049 – 4-Hour Flood

Instant alarm when activated, audible alarm at default.

051 - 24-Hour Latching Tamper

Instant alarm when activated, audible alarm at default. The alarm system cannot be armed until Installer Programming is entered after the zone is restored.

052 – 24-Hour Non-Alarm

This zone is active at all times but does not cause an alarm. Zone attributes such as Zone Bypassing and Door Chime affect the functionality of this zone. This zone type can also be assigned to a temperature sensor if indoor/outdoor temperature display is required without temperature warnings or alarm conditions.

056 - 24 Hour High Temperature

This zone type is used with wireless temperature sensors and is activated when the temperature rises above a programmed threshold (set in section [804][xxx][019-020]). Instant alarm when activated, audible alarm at default. This zone type generates an alarm when the system is armed or disarmed.

- ① **Note:** This zone type cannot be used on hardwired zones. The temperature threshold includes a 3°C (5°F to 6°F) difference between a given state and its restored condition. For example, an alarm at 6°C is restored at 3°C (high temperature) or 9°C (low temperature), depending upon the zone type selected.

The zone type for wireless temperature sensors must be 24 Hour High/Low Temperature in order for the sensor to operate properly.

057 - 24-Hour Low Temperature

This zone type is used with wireless temperature sensors and is activated when the temperature drops below a programmed threshold (set in section [804][xxx][019-020]). Instant alarm when activated, audible alarm at default. This zone type generates an alarm when the system is armed or disarmed.

- ① **Note:** This zone type cannot be used on hardwired zones.

060 - 24-Hour Non-Latching Tamper

This zone is always active and reports a tamper condition with no audible alarm when opened or tamper/faulted.

061 - 24-Hour Masking

This zone is active 24 hours in either the armed or the disarmed state. This zone type does not generate an alarm, and does not log in the Alarm Memory. This zone type generates a Masking Trouble on the system.

- ① **Note:** This zone operates in SEOL only.

066 – Momentary Keyswitch Arm

Often used with a keyswitch module*, turning the key alternately arms and disarms the system and silences the alarms. Tamperers and faults only initiate their respective trouble sequence. The keypad gives no indication when this zone type is activated.

- ① **Note:** With audible alarm active, using the keyswitch when disarmed is the same as entering an access code at the keypad. Using the keyswitch during the first 30 seconds of a delayed fire alarm is the same as pressing a key at the keypad (the 90 second delay starts). Activation of a keyswitch zone arms or disarms the system. Activation of this zone type is NOT logged nor is the Police code transmitted. Bypassed zones of this type are not un-bypassed when the system is disarmed. When the zone is bypassed, a zone bypass event buffer log and communication occurs immediately, NOT when the system is armed.

*Keyswitch module not for use in UL/ULC listed installations.

067 – Maintained Keyswitch Arm

Often used with a keyswitch module, turning the key (open state) arms the system. Turning the key back (restored state) disarms the system. Tamperers and faults only initiate their respective trouble sequence.

- ① **Note:** DO NOT use for wireless zones. Activation of the zone does not log or transmit the Police code. Bypassed zones of this type are not un-bypassed when the system is disarmed. When the zone is bypassed, a zone bypass event buffer log and communication occurs immediately, NOT when the system is armed.

With an audible alarm active, using the keyswitch when disarmed is the same as entering an access code at the keypad. Activating this zone type during the first 30 seconds of a delayed fire alarm is the same as pressing a key at the keypad (the 90 second delay starts). If left in the open state, the system does not arm until the zone is restored and tripped again.

068 – Momentary Keyswitch Disarm

Use with a keyswitch module. Activating and restoring this zone disarms the partition and silences alarms. Tamper or faults do not disarm the zone.

ⓘ **Note:** Do not use as a global zone.

069 - Maintained Keyswitch Disarm

Used with a maintained keyswitch. Activating this zone disarms the partition.

Tamper or faults on this zone do not disarm the partition.

071 – Doorbell Zone

This zone type sounds a chime through keypads on the partition when activated. No alarms are generated. Various chime tones can be programmed. Disabling door chime on the partition also disables the chime on this zone.

ⓘ **Note:** Do not use as a global zone.

072 - Push to Set (Non CP-01 panels only)

Activating this zone starts an infinite exit delay when armed according to the methods described in the table below. To complete the arming sequence, this zone must be activated and restored. Once done, the exit delay timer starts.

ⓘ **Note:** For UL installations, use a standalone keypad for each partition.

Arming method	Infinite exit delay	Arming mode
User code	Y	Away
Keyswitch	Y	Away
Away key	Y	Away
*0 arm	Y	Away
*9 arm	N	Stay
Stay key	N	Stay
Night key	N	Night
Remote access/SMS	-	Do not use
DLS arm	N	Away
No activity arming	N	Away

If you silence a fire alarm by entering a user code, and the zones that imitated the fire alarm remain open, a Bells Silenced message displays. The system automatically clears the message when all the fire zones are restored on the system. When the Bells Silenced message displays, a user can still view all standard base menu messages. The Bells Silenced message also overrides the automatic display of the Alarm Memory feature for fire alarms.

ⓘ **Note:** Do not use exit delay termination with this zone type. Away arming with this zone bypassed prevents arming.

ⓘ **Note:** For Global Keypads, the Bells Silenced message will not be displayed. For UL installations, use the dedicated partition keypad to view the Bell Silenced message.

[002] Zone attributes

Zone attributes are used to customize the operation of zones. When a zone type (section [001]) is programmed, the default zone attribute is automatically assigned.

- ① **Note:** These attributes override default settings. Do not change fire zone attributes from their default settings.

[001]-[248] Select Zone

The attributes listed below can be enabled and disabled for each zone.

Table 6-5:Zone attributes

01 - Bell Audible

ON: An alarm activates the siren.

OFF: Silent alarm.

02 - Bell Steady

ON: Siren output is steady when in alarm.

OFF: Siren output pulses when in alarm.

03 - Door Chime

ON: The keypad chimes when the zone is open and when the zone is secured.

OFF: The zone does not chime.

04 - Bypass Enabled

ON: The zone can be manually bypassed.

OFF: The zone cannot be bypassed.

- ① **Note:** For UL and ULC fire applications, bypass shall not be enabled for fire and CO zones.

05 - Force Arm

ON: The system can be armed with the zone open. The zone is temporarily bypassed and, when secured, is monitored by the system.

- ① **Note:** When open zones cancel arming is enabled [021][7], the system can begin arming with an open, force armable zone, but if the zone is still open when the exit delay timer expires, the arming will be cancelled.

OFF: The system cannot be armed if the zone is open.

06 - Swinger Shut Down

ON: When the zone goes into alarm for the number of times programmed in the Swinger Shutdown Counter (see [377] [Communication Variables](#)), it shuts down with no further transmissions sent to the monitoring station during that armed period. The siren follows swinger shutdown if programmed.

OFF: Swinger shutdown is disabled. All alarms are transmitted.

07 - Transmission Delay

ON: Reporting of zone alarms is delayed for the programmed time in section 377 (see [377] [Communication Variables](#)). If a valid access code is entered within this time, no alarm signal is communicated.

OFF: When an alarm occurs, the reporting code is transmitted immediately.

08 - Burglary Verification

ON: Enabled for cross zoning/police code. Zone alarms are not communicated until a burglary verified event occurs.

OFF: Not enabled for cross zoning/police code.

09 - Normally Closed (NC)

ON: The zone requires a normally closed loop.

OFF: The zone follows programming in section [013] option 2.

See note after option 11.

10 - Single End of Line (SEOL) Resistors

ON: The zone requires a single end-of-line resistor (5.6k).

OFF: The zone follows programming in section [013] option 2.

See note after option 11.

11 - Double End of Line (DEOL)

ON: The zone requires two end-of-line resistors (5.6k).

OFF: The zone follows programming in section [013] option 2.

① **Note:** If more than 1 option is enabled for options 09, 10, and 11 the lowest attribute number takes precedence. If options 09 and 10 are both enabled the zone follows the normally closed loop configuration.

12 - Fast Loop/Normal Loop Response

ON: Follows a fast loop response of 40 ms.

OFF: Follows a normal loop response as programmed in the Zone Loop Response Time section.

13 - 2-Way Audio Attribute

ON: Panel is able to initiate a 2 way audio session.

OFF: Only the microphone turns on, initiating a Listen-in only session. The speaker remains off.

14 - Hold Up Verification

ON: An alarm from zones of this type can contribute to a verified hold up alarm. Use this attribute with Panic and Hold Up zones.

OFF: An alarm from zones of this type does not contribute to a verified hold up alarm. The zone does not cause the hold up verification timer to start counting down, or generate a verified hold up if the alarm is detected while the timer is running.

15 - Triple EOL

ON: The zone requires triple-end-of-line resistors.

OFF: The zone follows programming in section [013] option 2.

EOL resistance

This section describes how to program EOL resistances to custom values.

[004] End of line resistance

Use this menu to program custom resistance values for SEOL, DEOL, and TEOL options in 3-digit format. For example, to program the value of 0.5 k Ω , enter 005.

[001] – Single EOL

Alarm

Default value: 5.6 k Ω

Programmable range: 0.5 k Ω to 28 k Ω (005 to 280)

[002] – Double EOL

Alarm

Default value: 5.6 k Ω

Programmable range: 0.5 k Ω to 15 k Ω (005 to 150)

Tamper

Default value: 5.6 k Ω

Programmable range: 0.5 k Ω to 15 k Ω (005 to 150)

[003] – Triple EOL

Alarm

Default value: 5.6 k Ω

Programmable range: 0.5 k Ω to 7.5 k Ω (005 to 075)

Tamper

Default value: 5.6 k Ω

Programmable range: 0.5 k Ω to 7.5 k Ω (005 to 075)

Fault/Mask

Default value: 10 k Ω

Programmable range: 0.5 k Ω to 15 k Ω (005 to 150)

System times

This section describes how to program various timers applicable to the entire alarm system.

[005] System times

This is the base menu used by installers to program timers, including system area [000], partition timers [001]-[032], and daylight saving time [901]/[902].

[000] – System Area

Bell Cutoff Time

System sirens follow the programming for this timer. Fire alarms follow this timer if section [014] option 8 (Fire Bell Continues Option) is off. System tampers follow this timer. The bell cutoff time is programmed in minutes. Valid entries are 001 to 255 minutes.

Note: Keypad buzzer alarms do not follow this timer.

Bell Delay Time

The Bell Delay Timer determines how long the bell will be delayed after a zone alarm event. Valid entries are 000-255 where 000 disables this feature.

Burglary Verification Timer

If another zone with the Burglary Verification attribute enabled is violated within the duration of this timer, a burglary verified event is communicated and logged. "Burglary Verified" is displayed on the keypad when the system is disarmed.

The burglary verification timer is programmed in minutes. Valid entries are 000 to 255 minutes.

Holdup Verification Timer

A holdup alarm is immediately communicated to the monitoring station and the holdup verification timer starts. A programmable counter determines the number of additional holdup events that must occur before the timer expires to create a verified holdup event. Once this happens, the holdup event is logged and communicated.

ⓘ **Note:** Not for use with UL/ULC listed installations. 000 disables this feature.

Zone Loop Response Time

Loop response time is a 3-digit entry from 005 to 255 programmed in 10ms increments. The minimum available loop response time is 50ms (e.g., program 005 for 50ms).

Automatic Clock Adjust

This value adds or subtracts seconds from the system clock at the end of each day to compensate for inaccuracies. To determine the adjustment value, monitor the time lost or gained by the alarm system over a period of time and calculate the average gains or loses.

Example #1: The clock loses an average of 9 seconds per day. Program the alarm controller to adjust the clock by 51 seconds for the last minute of each day. This speeds up the alarm controller's clock by 9 seconds, correcting the problem.

Example #2: The clock gains an average of 11 seconds per day. Program the alarm controller to adjust the clock by 71 seconds for the last minute of each day. This slows down the alarm controller's clock by 11 seconds, correcting the problem.

If the Auto-arm time is set for 23:59, any change to the Clock Adjust option will directly affect the Auto-arm pre-alert time.

[001]-[032] Partition 1-32 Timers

The following timers can be applied to each partition.

ⓘ **Note:** For UL installations, the Entry Delay plus the Communications Delay must not exceed 60 seconds.

Entry Delay 1:

This value determines the entry delay time for delay 1 type zones. Valid entries are 001 to 255 seconds.


Entry Delay 2:

This value determines the entry delay time for delay 2 type zones. Valid entries are 001 to 255 seconds.

ⓘ **Note:** The system follows the entry timer that activates first.

Exit Delay:

This value determines the exit delay time when arming the system. During exit delay, both the Ready and Armed LEDs are on. When the exit delay expires, both LEDs turn off.

ⓘ **Note:**  European products will only activate the armed LED at the end of exit delay.

Settle Delay:

This timer enables a programmable, short duration bypass of all zones on the partition at the time of arming. It allows motion detectors to restore when the system is armed to help prevent false alarms.

The typical value for this timer is 5 seconds, but can be increased if false alarms persist. Program 000 for no settle delay.

The settle delay duration is programmed in seconds. Valid entries are 000 to 010 seconds.

[900] – Bell Delay Partition Mask

This option enables or disables the Bell Delay feature for individual partitions. When the option is enabled, Bell Delay is applied to the selected partition during alarm conditions. When the option is disabled, Bell Delay is not applied. The default setting is (Y): enabled.

[901]/[902] – Daylight savings begin/end

Daylight Begin [001] and Daylight End [002]:

Set the date and time daylight savings starts and ends.

Month

Valid entries are 001-012 (January to December).

Week

Valid entries are 000-005.

Enter "000" to program a specific date (1-31) in the Day field. Enter 001-005 to program the specific week of the month. 005 is the last week of the month.

Day

1-31 (if 000 is programmed in the Week field). 0-6 (Sunday-Saturday) if 001-005 is programmed in the Week field.

Hour

Valid entries are 00-23 hours. This is the time of day to advance or turn the clock back.

Increment

Valid entries are 1 or 2 hours. This is the number of hours to advance or turn the clock back.

Access Codes

This section is used by installers to program the installer code, the master code and the maintenance code. For information on programming other access codes, see [\[*\]\[5\] Program access codes](#).

[006] Installer Defined Access Codes

This is the base menu used by installers to program the installer code [001], the master code [002] and the maintenance code [003]. See below for details.

[001] – Installer Code

This code is used by the installer to gain access to Installer Programming [*][8]. Users with this access code have access to all levels of system programming.

Note:  For EN50131-1 approved installations the installer code cannot change the master code or any other level 2 codes.

[002] – Master Code

This code is used by the master user, a person designated to perform operational tasks beyond those of the standard user. The master code provides access to functionality in the [*][5] and [*][6] menus.

[003] – Maintenance Code

This code is usually assigned temporarily to maintenance personnel who must deactivate the alarm to enter the premises. The maintenance code can arm and disarm the system, but does not grant access to any other functionality.

UK [005] – Code Version

A programmable 3-digit pin is required to calculate the 5-digit remote reset code. The range of the pin is 000-255 in

decimal. The default value of the pin code is 000.

[007] - [008] PGM Configuration

This section describes how to set up and configure programmable outputs.

PGMs are used to send electrical current to external devices such as lights and sirens, usually when an alarm event occurs. The alarm controller provides up to two 100mA PGMs and two 300mA PGM. PGM outputs can be expanded using the optional 8-output expander (HSM2208), the 4 high-current output expander (HSM2204) and the Corbus Repeater (HSM304CX) with 4 relay PGM outputs.

Programming an output is a four-step process:

1. Program the PGM
2. Assign the PGM to a partition.
3. Assign an output attribute.
4. Assign an output option.

See [\[011\] PGM Configuration Options](#) for PGM slot assignment.

[007] PGM Programming

This is the base menu used by the installer to assign PGMs to the main bell and a partition.

[000] Main Bell Partition Assignment

This programming section is used to define which partitions activate the main bell when they go into alarm. All partitions are selected by default.

[001]-[356] PGM Partition Assignment

This option enables the installer to assign each PGM output to a partition. To assign a PGM to a partition, first select the PGM output (PGM 001-356), then select the partition (1-32).

- ⓘ **Note:** This field is only supported by PGM types that have multiple partition capabilities (e.g., command outputs, away arming). It does not affect system outputs (e.g., ground start pulse).

[008] PGM Timer Programming

[000] PGM Minutes/Seconds

This option determines if the timer is in minutes or seconds.

[001]-[356] PGM Timer

This timer programs the duration (in seconds or minutes) that PGMs 1-356 activate if programmed to follow the PGM Timer.

Select option 001-356 for PGM 1-356.

This option does not affect outputs programmed as Sensor Reset.

[009] PGM Types

The output types described in this section can be assigned to alarm controller and output expander module PGMs. Each alarm controller supports up to 4 PGMs and can be expanded using HSM2208 output expander, HSM3204CX and HSM2204 High-Current output modules. PGM attributes are defined in section [\[010\] PGM Attributes](#).

[001]-[356] Select PGM

100 - Null PGM

This option deactivates the PGM output

101 - Burglary and Fire Bell Follower

This PGM output follows:

- Fire pre-alerts
- Temporal three fire signal (if enabled)
- All audible burglary and fire alarms by partition
- Bell cut-off time
- Bell squawk conditions
- Audible exit fault

This output activates when the alarm output is active and turns off when the alarm output is silenced. The siren pattern matches the programmed cadence for the zone that went into alarm. Cadence priority is as follows:

- fire alarm cadence
- CO alarm cadence
- other alarm cadences

The main siren still activates for all alarms.

102 - Delayed Fire and Burglary

This output type operates the same as the Burglary and Fire Bell Follower (PGM type 01), but does not activate until the transmission delay time expires.

When a zone with transmission delay enabled is tripped, the Bell, Regular Fire and Burglary PGMs activate. At the end of the transmission delay, the delayed Fire and Burglary output activates.

This PGM is usually used to control outdoor sirens. If a false alarm occurs, the user has time to disarm the system before the external sirens activate.

❶ **Note:** If a zone alarm occurs but does not follow transmission delay, this PGM activates immediately, even if transmission delay is active for a different zone alarm.

This output activates for audible exit fault and does not interfere with the operation of any other programmable output.

103 - Sensor Reset [*][7][2]

This output is normally active and deactivates for 5 seconds when a [*][7][2] fire reset command is entered or when an auto verified fire alarm is detected. This option is used to reset power for latching smoke detectors. The keypad buzzer does not sound for the 5-second period. See [Smoke detector wiring](#) for instructions on wiring smoke detectors.

104 - 2-Wire Smoke

When this PGM is programmed, the onboard PGM functions as an input instead of an output. 2-wire smoke detectors can be connected to this input, which means that a zone input does not need to be used.

The PGM is also supervised, and a trouble condition is generated if a 2.2KΩ resistor is not present between the PGM terminal and Aux+.

The 2-wire smoke detector input creates an instant and latching alarm.

107 - External Siren

This output is normally active and provides up to 1A to charge the external sirens battery. When an alarm occurs on the system, this PGM triggers and deactivates the voltage to the siren, which causes the siren to sound alarm using power from the backup battery. Use this output with Grade 3 external battery-operated sirens.

❶ **Note:** This PGM type works on PGM 3 only.

109 - Courtesy Pulse

Courtesy pulse causes an output to activate for the entry and exit times, plus 2 minutes. This option is typically used to activate a courtesy light near the exit door for the duration of the entry/exit times.

111 - Keypad Buzzer Follow

PGM output activates with the keypad buzzer when triggered by the events below. The PGM output remains active for the duration of the keypad buzzer.

- 24-hour supervisory buzzer zone alarm
- Auto-arm and no activity arming pre-alert.
- No activity arm pre-alert
- Entry delay
- Audible exit fault
- Audible exit delay
- Door chime

This PGM type does not activate for local key presses or trouble beeps.

114 - Ready to Arm

This PGM activates when the system is ready to arm (all non-force armed zones on the system are restored). The PGM output de-activates when an access code is entered to arm the system and the exit delay begins. This PGM operates as described during walk test mode (if all zones are restored).

115 - System Armed Status

This output activates when all selected partitions are armed (end of the exit delay) in either Stay or Away modes. The output de-activates when the system is disarmed.

116 - Away Armed Status

This PGM switches on when the system is armed with stay/away zones activated. If the system is armed with the stay/away zones always active, then the away output is active.

117 - Stay Armed Status

This PGM output activates if the system is armed with the stay/away zones bypassed.

120 - Away Armed with No Zone Bypasses Status

When assigned to a single partition, this PGM output activates when the system is armed with stay/away and night zones active, and no zones are bypassed.

If assigned to multiple partitions, all partitions must be armed in away mode with no bypassed zones before the PGM activates. If a force armable zone is violated at the time of arming, the PGM does not activate. When the zone is restored, the PGM activates.

121-124 – Command Outputs 1-4

Command Outputs 1-4 are user-activated by entering [*] [7] [1-4] at any keypad. When an output is activated, three acknowledgment beeps are sounded.

PGM outputs of this type can be programmed to follow a pre-defined schedule (programmed in section [601]-[604] [Schedule labels](#)). Even if the output follows a schedule it can be manually turned ON, OFF or follow the schedule through [*][7].

To select a schedule for these PGM outputs to follow, see [009] [PGM Types](#).

129 - Partition Status Alarm Memory

This feature is intended to be used on a keyswitch plate, with a light controlled by this PGM to indicate system status. When the partition is armed, the output activates (steady) at the:

NA beginning of exit delay

EN end of exit delay.

If an alarm occurs on the armed partition, the output flashes for the remainder of the armed period. If an alarm occurs on a disarmed partition (24 Hr Zone), the output flashes until the alarm is acknowledged.

This output will not activate during a walk test or for FMP key, holdup or audible/silent PGM2 input alarms.

132 - Holdup Output

When a Holdup zone (Type [042]) goes into alarm, this output activates until the partition is either armed (access code, keyswitch, [*][0], etc.) or disarmed. A tamper or fault on a holdup zone type does not activate this output. This output does not activate in Walk Test mode. If a global holdup alarm occurs, each partition with holdup zones assigned must be armed or disarmed before the holdup output deactivates. If holdup alarms occur on multiple partitions, an access code must be entered at each partition before the output deactivates.

Note: Not for use with UL/ULC listed installations.

134 - 24-Hour Silent Input (PGM 2)

With this input the keypad does not indicate an alarm, the siren remains silent, and the signal is sent to the central station. This input does not follow swinger shutdown. A 2.2KΩ EOL resistor is required for this input (to Aux+). If a short or open occurs, an alarm is generated.

Note: UL Not for use with UL installations.

135 - 24-Hour Audible Input (PGM 2)

LCD keypads indicate that the system is in alarm, the siren sounds for the duration of bell timeout, and the signal is sent to the central station. This input does not follow swinger shutdown. A 2.2 kΩ EOL resistor is required for this input (to Aux+). If a short or open occurs, an alarm is generated for all partitions and sirens. PGM partition assignment does not affect this PGM type.

146 - TLM and Alarm

This output activates when a telephone line fault condition is present AND an alarm occurs. The output remains active until an access code is entered to disarm or the TLM trouble is restored. The output activates for all audible and silent alarms (except duress) if a TLM trouble is present. If an alarm activates this output in the disarmed state, it will deactivate when the system is armed or the telephone line is restored. This output type also activates if alarms are in memory (not only for currently active alarms) when the TLM fault occurs. The alarms in memory must have exceeded the bell timeout.

147 - Kissoff

This PGM output activates for two seconds after the alarm system receives a kissoff signal from the central station.

148 - Ground Start

This output activates for two seconds before the alarm system attempts dialing to obtain a dial tone on Ground Start telephone equipment. Two 2-second pauses must be inserted at the beginning of the telephone number when using this option.

149 - Alternate Communicator

This output can be used to trigger inputs on a third-party communicator for the purpose of triggering alarm communications to a monitoring station. This output can be programmed to activate when any of the following system events (alarms) occur on the system:

- Fire (Fire Key, Fire Zones)
- Panic (Panic Key and Panic Zones)
- Burglary (Delay, Instant, Interior, Stay/Away and 24-hour Burglary Zones)
- Opening/Closing Events
- Zone Auto-Bypass. (See [149 - Alternate Communicator](#) for details).
- Medical (Medical Key, Medical and Emergency Zones)
- Burglary Verified
- Opening After Alarm
- Emergency Alarm
- Duress Alarm
- Holdup Verified

In the armed state, this output deactivates when the system is disarmed. If an alarm activates this output in the disarmed state, the output deactivates if a valid access code is entered within the bell timeout or if the system is armed after the bell timeout has expired.

This output activates for silent and audible alarms or medical conditions only. It will not activate during pre-alert or delays.

- ⓘ **Note:** The PGM attributes for this option, programmed in section [010], differ from the standard selection of attributes normally programmed.
- ⓘ **Note:** When this PGM is configured to provide Opening/Closing status, the PGM must be programmed as a timed output, not latching.

155 - System Trouble

This output can be programmed to activate when any of the following trouble conditions are present:

- Service Required
- Loss of Clock
- DC Trouble
- Bus Voltage
- AC Trouble
- Device Fault
- Device Low Battery
- Device Tamper
- RF Delinquency
- Module Supervisory

- Module Tamper
- Communications
- Not Networked

This output deactivates when all of the selected trouble conditions are cleared.

156 - Latched System Event (Strobe)

This output can be used to notify the home owner, before they enter the premises, that an alarm has occurred. This output can be programmed to activate when any of the following alarms occur on the system:

- Burglary (Delay, Instant, Interior, Stay/Away and 24-Hour Burglary Zones)
- Fire (Fire Key, Fire Zones)
- Panic (Panic Key and Panic Zones)
- Medical (Medical Key, Medical and Emergency Zones)
- Supervisory (Supervisory, Freezer and Water Zones)
- Priority (Gas, Heat, Sprinkler and 24-Hour Latching Zones)
- Holdup (Holdup zones)
- Output follows pulse timer (See [\[008\] PGM Timer Programming](#)).
- Duress
- Emergency
- CO Alarm
- Fire Supervisory
- Fire trouble

This output does not activate during pre-alert or delays.

In the armed state, the output deactivates only once the system is disarmed.

If an alarm activates this output in the disarmed state, the output deactivates when a user enters a valid access code during bell timeout. The output also deactivates if someone arms the system after the bell timeout has expired.

If assigned to a single partition, the output activates when an enabled alarm event occurs on the assigned partition. When assigned to multiple partitions, the output activates when an alarm occurs on any partition and, if configured to latch, will deactivate when any partition is disarmed. (or a valid disarming procedure is used).

157 - System Tamper

This output activates when any tamper condition is present and deactivates when all tamper conditions are cleared (if set for steady operation). If set for a pulsed operation, the output deactivates when the PGM Output timer expires. These tampers include zone tampers (DEOL), case tampers, TLM trouble, RF jam, and all zone and device tampers.

Note: This PGM does not activate for alternate communicator fault.

161 - DC Trouble

This output activates when one of the following low battery conditions is detected:

- Alarm controller low or absent battery
- Module low or absent battery
- Wireless zone low battery

- Wireless keypad low battery
- Wireless siren low battery
- Wireless key low battery

The output can be configured to follow the state of the low battery trouble(s) or it can activate for a period of time and automatically restore.

165 - Proximity Tag Used

This output activates when the selected proximity tag is presented.

Assign this output to a user by entering a user number from 0002 to 1000. To enable this attribute for all proximity tags, enter 000 in PGM Configuration [011]. See [\[007\] - \[008\] PGM Configuration](#)

166 - Partition Prox Used

This output activates when a proximity tag is presented at a system keypad equipped with a proximity tag reader, including global keypads. The proximity tag must be assigned to a valid user and the PGM must be assigned to a partition that the user has permission to access.

Assign this output to a partition in section [007], PGM Partition Assignment. Use section [011], PGM Configuration Options, to assign a schedule. When [011] is programmed as 000, the output activates any time a valid proximity tag is presented. When [011] is programmed as 1-4, the output activates only when the proximity tag is presented during the scheduled interval.

175 - Bell Status and Programming Access Output

This PGM activates when the siren, Installer Programming mode or DLS/SA is active. It deactivates after bell timeout, when Installer Programming is exited or when DLS/SA programming is disconnected.

176 - Remote Operation

This output is activated and deactivated remotely on command from DLS software.

ⓘ **Note:** Not for use with UL/ULC listed installations.

184 - Open After Alarm

This output activates when the system has been disarmed after an alarm. It deactivates when a valid user code is entered or when the PGM Output timer expires.

201-231 – Zone Follower (Zones 1-248)

This output type is assigned to a group of zones and is normally activated, but deactivates when a zone is tripped. Zones are assigned to this output in the following groups:

Zone group	Zones	Zone group	Zones
001	1-8	017	129-136
002	9-16	018	137-144
003	17-24	019	145-152
004	25-32	020	153-160
005	33-40	021	161-168
006	41-48	022	169-176
007	49-56	023	177-184
008	57-64	024	185-192
009	65-72	025	193-200
010	73-80	026	201-208
011	81-88	027	209-216

Zone group	Zones	Zone group	Zones
012	89-96	028	217-224
013	97-104	029	225-232
014	105-112	030	233-240
015	113-120	031	241-248
016	121-128		

If multiple zones are enabled, any active zone in that group triggers the output. The PGM will not activate again until all zones are restored.

200 - Zone Follower - PGM By Zone

This option allows the PGM to activate when the assigned zone is opened and deactivate when the zone is restored or, if programmed, when a valid access code is entered. This PGM follows the state of the assigned zone, regardless of the partition the zone or PGM is assigned to.

To program which zone the PGM will follow, see [\[011\] PGM Configuration Options](#).

[010] PGM Attributes

The following options are used to program the operating characteristics of the main bell and PGM outputs.

[000] Main Bell Mask

This programming section is used to configure the types of audible alarms that trigger the main bell output on the alarm controller. All options are selected by default.

Fire Alarm

ON: Fire alarm ([F] key, Fire zones) activates the main siren.

OFF: Fire alarm does not activate the main siren.

CO Alarm

ON: CO alarm activates the main siren.

OFF: CO alarm does not activate the main siren.

Burglary Alarm

ON: Burglary alarm (Delay, Instant, Interior, Stay/Away, Night, Interior Delay, Instant Stay/Away, Day, 24-hour Burglary) activates the main siren.

OFF: Burglary alarm does not activate the main siren.

24-Hour Flood Alarm

ON: Main bell activates in the event of a 24-Hour Flood alarm.

OFF: Main bell does not activate in the event of a 24-Hour Flood alarm.

Bell Squawks

ON: Squawks activate the main siren. Bell squawks must be enabled to use the following options:

- Bell Squawk on arm (single)
- Bell Squawk on disarm (double)
- Bell Duration Auto-Arm (single every second)
- Bell Squawk on Exit (single every second)
- Bell Squawk on Entry (single every second)

- Bell Squawk on Trouble (single every 10 seconds)

OFF: Squawks do not activate the main siren.

[001]-[356] PGM 001-356 Attributes

The following PGM attributes can be assigned to a PGM. Each attribute has various toggle options, depending on the PGM type selected (section [009]).

101 - Fire and Burglary

01 - True Output/Inverted

ON: deactivated during normal operation. Activated when triggered.

OFF: active during normal operation. Deactivated when triggered.

102 - Delay Fire and Burglary

01 - True Output/Inverted

ON: deactivated during normal operation. Activated when triggered.

OFF: active during normal operation. Deactivated when triggered.

103 - Sensor Reset [*][7][2]

01 - True Output/Inverted

ON: deactivated during normal operation. Activated when triggered.

OFF: active during normal operation. Deactivated when triggered.

03 - Access Code Required / No Code Required

ON: Access code required for activation

OFF: No access code required for activation

107 - External Siren

01 - True Output/Inverted

ON: deactivated during normal operation. Activated when triggered.

OFF: active during normal operation. Deactivated when triggered.

109 - Courtesy Pulse

01 - True Output/Inverted

ON: deactivated during normal operation. Activated when triggered.

OFF: active during normal operation. Deactivated when triggered.

111 - Keypad Buzzer Follow

01 - True Output/Inverted

ON: deactivated during normal operation, activated when triggered.

OFF: activated during normal operation, deactivated when triggered.

02 - Timed Output

ON: output remains active until the PGM output timer expires.

OFF: output remains active until the buzzer condition ends.

09 - Entry Delay

ON: activates on entry delay.

OFF: does not activate on entry.

10 - Exit Delay

ON: activates on exit delay.

OFF: does not activate on exit delay.

11 - Door Chime

ON: activates when chime is enabled.

OFF: does not activate when chime is enabled.

12 - Keypad Buzzer Zone

ON: activates when keypad buzzer goes into alarm.

OFF: does not activate when keypad buzzer goes into alarm.

13 - Audible Exit Fault

ON: activates when audible exit fault pre-alert begins.

OFF: does not activate when audible exit fault pre-alert begins.

14 - Auto-Arm Pre-Alert

ON: activates when auto-arming pre-alert begins.

OFF: does not activate when auto-arming pre-alert begins.

114 - Ready To Arm

01 - True Output/Inverted

ON: deactivated during normal operation. Activated when triggered.

OFF: active during normal operation. Deactivated when triggered.

115 - Armed Status

01 - True Output/Inverted

ON: deactivated during normal operation. Activated when triggered.

OFF: active during normal operation. Deactivated when triggered.

116 - Armed Away Mode

01 - True Output/Inverted

ON: deactivated during normal operation. Activated when triggered.

OFF: active during normal operation. Deactivated when triggered.

117 - Armed Stay Mode

01 - True Output/Inverted

ON: deactivated during normal operation. Activated when triggered.

OFF: active during normal operation. Deactivated when triggered.

120 - Away Armed with No Zone Bypasses Status

01 - True Output/Inverted

ON: deactivated during normal operation, activated when triggered.

OFF: activated during normal operation, deactivated when triggered.

121-124 – Command Output 1-4

01 - True Output/Inverted

ON: deactivated during normal operation, activated when triggered.

OFF: activated during normal operation, deactivated when triggered.

02 - Timed Output / Latched Output

ON: output remains active until the PGM output timer expires.

OFF: output remains active until an access code has been entered.

03 - Access Code Required / No Code Required

ON: access code required for activation.

OFF: no access code required for activation.

129 - Partition Status Alarm Memory

01 - True Output/Inverted

ON: deactivated during normal operation. Activated when triggered.

OFF: active during normal operation. Deactivated when triggered.

132 - Holdup Output

01 - True Output/Inverted

ON: deactivated during normal operation. Activated when triggered.

OFF: active during normal operation. Deactivated when triggered.

146 - TLM Alarm

01 - True Output/Inverted

ON: deactivated during normal operation. Activated when triggered.

OFF: active during normal operation. Deactivated when triggered.

147 - Kissoff Output

01 - True Output/Inverted

ON: deactivated during normal operation. Activated when triggered.

OFF: active during normal operation. Deactivated when triggered.

148 - Ground Start

01 - True Output/Inverted

ON: deactivated during normal operation. Activated when triggered.

OFF: active during normal operation. Deactivated when triggered.

149 - Alternate Communicator

01 - True Output/Inverted

ON: deactivated during normal operation, activated when triggered.

OFF: activated during normal operation, deactivated when triggered.

02 - Timed Output / Latched Output

ON: output remains active until the PGM output timer expires.

OFF: output remains active until an access code has been entered.

04 - Fire Alarm

ON: activates with fire alarm, [F] key, fire zones, 2-wire smoke.

OFF: does not activate with fire alarm.

05 - Panic Alarm

ON: activates with panic alarm, [P] key, panic zones.

OFF: does not activate with panic alarm.

06 - Burglary Alarm

ON: activates with burglary alarm.

OFF: does not activate with burglary alarm.

07 - Open/Close

ON: activates with opening or closing.

OFF: does not activate with opening or closing.

08 - Zone Auto-Bypass

ON: activates when a zone is automatically bypassed.

OFF: does not activate when a zone is automatically bypassed.

09 - Medical Alarm

ON: activates with medical alarm, [+] key, medical zones.

OFF: does not activate with medical alarm.

10 - Burglary Verified

ON: activates with burglary verified alarm (or police code).

OFF: does not activate with burglary verified alarm.

11 - Open After Alarm

ON: activates when the system is disarmed with an alarm in memory.

OFF: does not activate when the system is disarmed with an alarm in memory.

12 - Emergency Alarm

ON: activates with zone emergency alarm.

OFF: does not activate with zone emergency alarm.

13 - Duress Alarm

ON: activates with duress alarm.

OFF: does not activate with duress alarm.

14 - Hold Up verified

ON: activates when a verified holdup event is detected.

OFF: does not activate when a verified holdup event is detected.

155 - System Trouble

01 - True Output/Inverted

ON: deactivated during normal operation, activated when triggered.

OFF: activated during normal operation, deactivated when triggered.

02 - Timed Output / Latched Output

ON: output remains active until the PGM output timer expires.

OFF: output remains active until an access code has been entered.

04 - Service Required

ON: activates on service required trouble condition.

OFF: does not activate on service required trouble condition.

05 - Loss of Clock

ON: activates on loss of clock trouble condition.

OFF: does not activate on loss of clock trouble condition.

06 - DC Trouble

ON: activates if a panel low or no battery trouble is detected, or if an HSM2204/2300 1-4 low or no battery trouble is detected.

OFF: does not activate on DC Trouble condition.

07 - Bus Voltage

ON: activates when a system module has measured a low Aux voltage.

OFF: does not activate for a module low voltage trouble.

08 - AC Trouble

ON: activates when any system device detects an AC Failure condition.

OFF: does not activate for AC Failure conditions.

09 - Device Fault

ON: activates if one of the following device fault conditions is present:

- zone 001 – 248 fault
- keypad 01 – 32 fault
- siren 01 – 16 fault
- repeater 01 – 08 fault
- fire trouble
- CO trouble
- gas trouble
- heat trouble
- freeze trouble
- probe disconnected trouble
- self test trouble

OFF: does not activate if a device fault condition is present.

10 - Device Low Battery

ON: activates if any of the following device low battery conditions is present:

- zone 001 – 248
- keypad 01 – 32
- siren 01 – 16
- repeater 01 – 08
- user 01 – 32 (wireless keys)

OFF: does not activate if a device low battery condition is present.

11 - Device Tamper

ON: activates if any of the following device tamper conditions is present:

- zone 001 – 248
- keypad 01 – 32
- siren 01 – 16
- repeater 01 – 08

OFF – does not activate if a device tamper condition is present.

12 - RF Delinquency

ON: activates if any of the following RF delinquency troubles is detected:

- zone 001 – 248
- keypad 01 – 32
- siren 01 – 16
- repeater 01 – 08

OFF – does not activate if an RF delinquency condition is present.

13 - Module Supervisory

ON – activates if any of the following module supervisory troubles is detected:

- HSM2HOST
- keypad 01 – 32
- zone expander 01 – 30
- HSM2204 1 – 4
- HSM2300 1 – 4
- HSM2208 01 – 16
- HSM3204CX
- HSM3408
- HSM3350

OFF – does not activate if a module supervisory trouble is detected.

14 - Module Tamper

ON – activates if any of the following module tamper conditions is present:

- HSM2HOST
- Keypad 01 – 32
- Zone expander 01 – 30
- HSM2204 1 – 4
- HSM2300 1 – 4
- HSM2208 01 – 16 tamper troubles
- HSM3204CX
- HSM3408
- HSM3350

OFF – does not activate if a module tamper condition is present.

15 - Communications

ON – activates if any of the following communications conditions is present:

- TLM trouble
- FTC receiver 1 – 4
- SIM Lock trouble
- Cellular Trouble
- Ethernet Trouble
- Receiver 1 – 4 absent
- Receiver 1 – 4 supervision trouble
- SMS Configuration trouble
- Alt comm. Fault.

OFF – does not activate if a communications trouble condition is present.

16 - Not Networked

ON – activates if any of the following not networked conditions is present:

- Zone 001 – 248
- Keypad 01 – 32
- Siren 01 – 16
- Repeater 01 – 08
- User 01 – 1000 (wireless keys) not networked troubles

OFF – does not activate if a not networked trouble condition is present.

156 - Latched System Event

01 - True Output/Inverted

ON: deactivated during normal operation. Activated when triggered.

OFF: activated during normal operation. Deactivated when triggered.

02 - Timed Output / Latched Output

ON: output remains active until the PGM output timer expires.

OFF: output remains active until an access code has been entered.

04 - Fire Alarm

ON: activates with fire alarm, [F] key, fire zones, 2-wire smoke.

OFF: does not activate with fire alarm.

05 - Panic Alarm

ON: activates on panic alarm (audible or silent).

OFF: does not activate on panic alarm.

06 - Burglary Alarm

ON: activates on burglary alarm.

OFF: does not activate on burglary alarm.

07 - Medical Alarm

ON: activates on medical alarm.

OFF: does not activate on medical alarm.

08 - Supervisory

ON: activates on supervisory alarm.

OFF: does not activate on supervisory alarm.

09 - Priority Event

ON: activates on priority alarm.

OFF: does not activate on priority alarm.

10 - Holdup

ON: activates on holdup alarm.

OFF: does not activate on Holdup alarm.

11 - Duress Alarm

ON: activates on duress alarm.

OFF: does not activate on duress alarm.

12 - Emergency Alarm

ON: activates on emergency alarm.

OFF: does not activate on emergency alarm.

13 - Fire Supervisory

ON: activates on fire supervisory alarm.

OFF: does not activate on fire supervisory alarm.

14 - Fire Trouble

ON: activates on fire trouble condition.

OFF: does not activate on fire trouble condition.

15 - CO Alarm

ON: activates on CO alarm.

OFF: does not activate on CO alarm.

157 - System Tamper

01 - True Output/Inverted

ON: deactivated during normal operation. Activated when triggered.

OFF: activated during normal operation. Deactivated when triggered.

09 - System/Module Tamper

ON: activates when any module tamper condition occurs.

OFF: does not activate when any module tamper condition occurs.

10 - Zone Tamper

ON: activates when any zone tamper condition occurs.

OFF: does not activate when zone tamper conditions occur.

161 - DC Trouble

01 - True Output/Inverted

ON: deactivated during normal operation. Activated when triggered.

OFF: activated during normal operation. Deactivated when triggered.

02 - PGM Timer

ON: output remains active until an access code is entered or certain criteria have been met, depending on the PGM type.

OFF: output remains active until the PGM output timer expires.

09 - Battery Low

ON: activates when a low battery trouble occurs.

OFF: does not activate when a low battery trouble occurs.

10 - Battery Absent

ON: activates when a battery absent trouble occurs.

OFF: does not activate when a battery absent trouble occurs.

165 - Prox Used

01 - True Output/Latched Output

ON: deactivated during normal operation. Activated when triggered.

OFF: activated during normal operation. Deactivated when triggered.

165 - Partition Prox Used

01 - True Output/Latched Output

ON: deactivated during normal operation. Activated when triggered.

OFF: activated during normal operation. Deactivated when triggered.

175 - Bell Prog Access

01 - True Output/Inverted

ON: deactivated during normal operation. Activated when triggered.

OFF: activated during normal operation. Deactivated when triggered.

176 - Remote Operation

01 - True Output/Inverted

ON: deactivated during normal operation. Activated when triggered.

OFF: activated during normal operation. Deactivated when triggered.

184 - Open After Alarm

01 - True Output/Inverted

ON: deactivated during normal operation. Activated when triggered.

OFF: activated during normal operation. Deactivated when triggered.

200 - Zone Follower - Single Zone

01 - True Output/Inverted

ON: deactivated during normal operation, activated when triggered.

OFF: activated during normal operation, deactivated when triggered.

02 - Timed Output

ON: output remains active until the PGM output timer expires.

OFF: output remains active until the zone is restored.

04 - Latching

ON: output remains latched until a valid access code is entered or a valid Prox tag is presented.

OFF: output follows the setting of the Timed Output attribute.

05 - Follow Alarm

ON: output is activated on zone alarm and stays active until the bell is turned off. See table for operation with bits 2 and 4.

OFF: output is activated on zone opening and deactivated when zone is closed.

Timed Output	Latching	Follow Alarm	PGM Output
OFF	OFF	OFF	ON upon zone opening (including tamper and fault), OFF upon zone closing
OFF	OFF	ON	ON upon zone alarm, OFF upon bell cut-off or alarm silenced
OFF	ON	OFF	ON upon zone opening, OFF upon valid code
OFF	ON	ON	ON upon zone alarm, OFF upon valid code
ON	OFF	OFF	ON upon zone opening, OFF upon PGM timer expires
ON	OFF	ON	ON upon zone alarm, OFF upon PGM timer expires
ON	ON	OFF	ON upon zone opening, OFF upon valid code
ON	ON	ON	ON upon zone alarm, OFF upon valid code

201 - 231 - Zone Follower Zones 1-248

01 - True Output/Inverted

ON: deactivated during normal operation. Activated when triggered.

OFF: activated during normal operation. Deactivated when triggered.

02 - Timed Output

ON: output remains active until the PGM output timer expires.

OFF: output remains active until an access code has been entered.

09-16 – Zone Terminals 1-8

ON: zones associated with terminals 1-8 are enabled for zone follower operation.

OFF: zones are not enabled for zone follower operation.

[011] PGM Configuration Options

This section is used to configure PGM types that offer multiple options.

[001]-[356] Select PGM

The following options may be selected for each PGM:

Zone Follow PGM By Zone

This option is used to specify the zone that PGM type 200 follows. Enter 001-248 to select zone 1-248.

Proximity Tag Used

This option is used to define which proximity tag will activate PGM outputs programmed as [165] Prox Used. Enter 000 to enable this PGM attribute for all user proximity tags, or enter user number 0002-1000 to have this attribute activated by a specific user proximity tag.

Command Output 1-4

This option is used to assign a schedule, programmed in section [601]-[604], for PGM Types 166 and 121-128 to follow. Program 001-004 to for schedules 1-4. Program 000 to activate the PGM when a proximity tag is presented.

[012] System Lockout

Keypad Lockout – Number of Invalid Local Attempts

This option controls the number of invalid access code entries allowed before the keypad is locked.

When keypad lockout occurs, the system is inaccessible by keypad for the programmed duration. If the number of invalid attempts is not reached within one hour, or if a valid access code is entered, the counter is reset to 0. Valid entries are 000 to 255 minutes. Entering 000 disables the feature. Presenting an invalid tag counts toward keypad lockout.

ⓘ **Note:** For EN 50131 certified installations, maximum number of attempts is 10.

Keypad Lockout Duration

This programming option determines the length of time the keypad is locked out for. If the system cold starts while in keypad lockout, the lockout is removed. Valid entries are 000 to 255 minutes. Entering 000 disables keypad lockout.

ⓘ **Note:** EN For EN 50131 certified installations, minimum of duration is 90 s.

Remote Lockout DLS

This programming option determines the number of invalid access code entries allowed via SMS or DLS before remote access is locked out for the programmed duration (see below). If the number of invalid attempts is not reached within one hour, or if a valid access code is entered through SMS or DLS, the counter is reset to 0. The valid entries are 003 to 255 attempts. Default is 6 attempts. The number of invalid attempts is fixed at 5 when using System Administrator Software and the lockout duration is 1 hour.

ⓘ **Note:** EN DLS tries to connect using the programmed DLS Access code first and, if unsuccessful, using the default DLS access code. Two failed attempts are counted if both codes are incorrect.

Remote Lockout Duration

This programming option determines how long the remote lockout lasts. If the system cold starts while in remote lockout, the lockout restarts for the programmed duration. Valid entries are 001 to 255 minutes. Entering 000 disables remote lockout.

System Options

[013] System Option 1

1 - NC Loop/EOL

ON: All zones are wired as normally closed circuits with returns connected to a COM terminal. The end-of-line resistor is not required. An alarm is generated when the circuit is opened.

OFF: All zones must be wired with an end-of-line resistor configuration, determined by option 2 below.

① **Note:** The valid EOL value is 5600 Ohms (5.6KΩ).

2 - DEOL/SEOL

ON: All zones use Double-End-of-Line resistors, except Standard Fire, Delayed Fire, Auto-Verified Fire, CO and Supervisory zone types. DEOL resistors enable detection of zone faults and tampers. The tamper resistor (5.6KΩ) is placed in parallel across the alarm activating device, and the single EOL resistor (5.6KΩ) is placed between the alarm and tamper contacts.

This allows detection of zone faults (shorted zone), tampers (open zone), alarms (11.2KΩ), and restored zones (5.6KΩ).

If the zone is disarmed and placed in the tamper or fault state, trouble beeps sound on all system keypads until a key is pressed on each partition. A zone tamper is sent to the monitoring station if programmed. If the zone is armed and a tamper is activated, the tamper alarm and zone alarm are logged and transmitted.

OFF: All zones must have a 5.6KΩ resistor. If the zone is shorted or open, it is in the tripped state. If the zone is open and programmed as a fire zone, it is in the trouble state. The EOL and DEOL zone attributes override this system option.

① **Note:** Zone Faults (Supervisories) on wireless zones do not cause an audible alarm while armed.

3 - Show All Troubles When Armed

ON: The Trouble LED illuminates when troubles are present on the system in both the armed and disarmed state.

OFF: The Trouble LED illuminates and trouble beeps activate for all troubles while disarmed, but only for Fire Troubles while armed.

4 - Tamper/Faults Do Not Show As Open

ON: The zone does not show open if the zone is in the tamper or fault states. Only the Trouble LED illuminates.

OFF: The respective zone LED shows open if the zone is in the tamper or fault states. The Trouble LED also illuminates.

5 - Auto-Arm Schedule in [*][6]

ON: The auto-arm schedules ([151] - [158]) are accessible via [*][6] as well as Installer Programming.

OFF: The auto-arm schedules ([151] - [158]) are only accessible to installers via Installer Programming.

① **Note:** This toggle controls access for all 32 partitions.

6 - Audible Exit Fault

ON: If a delay type zone is violated after the exit delay has expired, an entry delay warning is sounded through the keypad and siren indicating that an improper exit was made. If the alarm system is disarmed within the entry delay period no signal is sent.

OFF: The entry delay warning is sounded only through the keypad.

7 - Event Buffer Follows Swinger Shutdown

ON: Once an event reaches its swinger shutdown limit programmed in [\[377\] Communication Variables](#), it will no longer log events to the event buffer until the swinger shutdown is reset. This avoids filling the event buffer with false events.

OFF: The event buffer continues to log events to the buffer even after the event has gone into swinger shutdown.

8 - Temporal Three Fire Signaling

ON: All fire bells sound in the temporal three pattern. Cadence is as follows: (500ms ON, 500ms OFF, 500ms ON, 500ms OFF, 500ms ON, 1.5 sec. OFF).

OFF: All fire bells will sound with the standard 1 second on/1 second off fire bell cadence.

ⓘ **Note:** Must be on for UL/ULC installations.

[014] System Option 2

1 - Bell Squawk

ON: The siren emits a single squawk when armed in any manner, including Auto-arm, and a double squawk when disarmed.

When the system is disarmed, the siren emits a series of three squawk pairs to indicate alarms in memory.

OFF: The siren does not squawk when arming or disarming.

ⓘ **Note:** For UL/ULC, must be enabled if wireless keys are used with the alarm system.

2 - Bell Squawk on Auto-Arm

ON: The siren squawks once every 10 seconds during the auto-arm pre-alert time.

OFF: The siren does not squawk during auto-arm pre-alert.

3 - Bell Squawk On Exit

ON: The siren squawks once per second during exit delay, changing to 3 squawks per second for the final 10 seconds.

OFF: The siren does not squawk for exit delay conditions.

4 - Bell Squawk On Entry

ON: The siren pulses with the same timing as the keypad buzzer during entry delay, changing to 3 squawks per second for the final 10 seconds.

OFF: The siren does not activate during entry delay.

5 - Bell Squawk On Trouble

ON: When a trouble condition exists on the system, the siren squawks 2 times every 10 seconds (as per the keypad buzzer).

The siren is silenced when the keypad beeps are silenced (any key pressed on keypad).

OFF: The siren does not activate with a trouble condition.

6 - Reserved

7 - Exit Delay Termination

ON: The exit delay is reduced to 5 seconds once a Delay 1 zone is restored. Force-Arm Delay 1 type zones also end the exit delay.

OFF: The exit delay timer continues to count even after the delay zone is restored.

All audible options associated with the exit delay function are silenced until the time programmed for the exit delay has elapsed.

Fire Bell Continues

ON: For all Fire type alarms, the siren sounds until an access code is entered to silence the alarm or disarm the system regardless of the time programmed for bell timeout.

OFF: For all Fire type alarms, the siren sounds for the length of Bell Timeout or until an access code is entered.

ⓘ **Note:**  Must be disabled for ULC installations.

[015] System Option 3

1 - [F] Key Enabled

ON: Pressing and holding the [F] key for 2 seconds triggers a Fire alarm.

OFF: The [F] key does not sound or report an alarm when pressed.

ⓘ **Note:** Use only for residential fire installations.

2 - [P] Key Audible

ON: When a valid [P] key alarm is generated, the keypad buzzer emits a series of 3 beeps to acknowledge the alarm and the siren sounds for the length of bell timeout.

OFF: When a valid [P] key alarm is generated, the keypad buzzer and the siren are silent, but the alarm is still transmitted (if programmed).

ⓘ **Note:** Fire, Medical, and Panic key transmissions follow the partition 1 alarm/restore call direction options (Fire, Medical, and Panic key). The Fire, Medical, Panic keys operate even if keypad blanking and keypad lockout are active.

3 - Quick Exit

ON: When the system is armed, users may enter the [*][0] command to temporarily bypass a single Delay 1 or Delay 2 zone to exit the premises. Only one delay zone may be activated. Activity on another delay zone initiates the appropriate alarm sequence. If the delay zone is still open two minutes after the [*][0] command is entered, entry delay is initiated. If armed in the Stay mode, the automatic bypass on Stay/Away zones remains.

OFF: When the system is armed, users can not perform a quick exit using [*][0].

4 - Quick Arming /Function Key

ON: [*][0] arming and Stay/Away function keys may be used to arm the system without the entry of a valid access code.

OFF: [*][0] arming is not permitted. All arming functions require the entry of an access code to activate (including Stay/Away keys).

5 - Reserved

6 - Master Code Not User Changeable

ON: The master code (access code 01) may not be changed by the user and may only be programmed in Installer Programming.

OFF: The master code may be programmed by the user using the [*][5][Master Code] command. The master code may also be programmed in Installer Programming.

7 - Telephone Line Monitor Enable

ON: The TLM function is active and the system indicates a trouble condition when using the [*][2] View Trouble Conditions command.

OFF: The TLM function is deactivated and telephone line troubles are not indicated by the system.

ⓘ **Note:** NA Must be ON for UL/ULC listed installations.

8 - Telephone Line Monitor Audible When Armed

ON: When the system is disarmed, a telephone line monitor trouble generates a trouble indication as described above. If the system is armed, a telephone line monitor trouble generates an audible alarm on the siren for the duration programmed for bell timeout or until an access code is entered to disarm.

OFF: Telephone line troubles generate a trouble indication, the Trouble LED illuminates, and the keypad buzzer beeps until a key is pressed.

[016] System Option 4

1 - AC Trouble Display

ON: If AC power fails, the condition is reported to the monitoring station and is indicated as a trouble condition on the system keypads.

OFF: If AC power fails, the condition is reported, but the Trouble light on the system keypads is off. The trouble is displayed in [*][2].

ⓘ **Note:** NA Must be ON for UL/ULC listed installations.

2 - AC Trouble Light Flashes

ON: When AC power is lost, the Trouble light flashes in the base “Ready” and “Armed” mode within 30 seconds of power loss. When AC restores, the Trouble light stops flashing within 30 seconds. If enabled, this option overrides the AC display option.

OFF: When AC power is lost, the Trouble light illuminates but does not flash.

3 - Keypad Blanking

ON: If no keys are pressed within 30 seconds, all keypad lights except backlighting (if enabled) are shut off until the next keypress, entry delay, audible alarm or keypad buzzer condition.

Keypad function keys still operate when the keypad is blank, unless the function key is programmed to require an access code. Keypad Blanking While Armed overrides this feature. When a partition is armed and in alarm, entering a code to remove blanking silences the alarm and disarms the system.

OFF: The keypad lights remain ON at all times.

4 - Keypad Blanking Requires Code

ON: A valid access code must be entered before a blanked keypad can be used. Information becomes inaccessible to level 1 users.

OFF: Pressing any key on a blanked keypad removes keypad blanking.

ⓘ **Note:** CP-01 Keypad Blanking Requires Code must be set to off for CP-01 listed installations.

5 - Keypad Backlighting

ON: All keypads on the system have backlighting on at all times.

OFF: All keypads on the system have backlighting off.

6 - Power Save Mode

ON: If AC power fails, all keypad lights including backlighting are shut OFF. The keypad lights come back ON after a keypress, entry delay, audible alarm or keypad buzzer condition (except door chime). Keypad lights return to the off state after 30 seconds of inactivity.

OFF: If AC power fails, keypads do not go into power save mode.

7 - Bypass Display When Armed

ON: The Bypass message is displayed if zones are bypassed when the system is armed.

OFF: The Bypass message is displayed only while the system is disarmed to indicate that zones on the system are bypassed. When the system is armed, the Bypass light is off.

The Bypass message is displayed if Stay/Away zones are auto bypassed at the time of arming regardless of whether or not this option is enabled. This option only enables and disables manual bypass message display.

8 - Keypad Tamper Enabled

ON: All keypads containing tamper switches generate tamper alarms and restores.

OFF: The tamper switches on all keypads do not generate tamper alarms.

ⓘ **Note:** If this option is used, all keypads should be properly installed and secured (tamper restored) before enabling the option.

ⓘ **Note:** ^{NA} Must be ON for UL/ULC commercial burglary listed installations.

[017] System Option 5

1 - Chime on Opening

ON: When a zone with the door chime attribute ON is opened, the system keypads and sirens (if enabled) beep.

OFF: When a zone with the door chime attribute ON is opened, the system keypads and sirens (if enabled) do not beep.

2 - Chime on Closing

ON: When a zone with the door chime attribute ON is closed, the system keypads and sirens (if enabled) beep.

OFF: When a zone with the door chime attribute ON is closed, the system keypads and sirens (if enabled) do not beep.

3 - RF Jam Trouble Beeps

ON: Trouble beeps sound when an RF Jam Trouble is detected

OFF: Trouble beeps do not sound when an RF Jam Trouble is detected

4 - Multi Hit

ON: Alarms from the same zone within the Burglary Verification Timer duration cause the police code or burglary verified to be logged and transmitted. The number of zone trips required to create a confirmed alarm depends on the value of the programmable burglary verification counter.

OFF: Alarms from the same zone within the Burglary Verification Timer duration do not cause the police code or burglary verified to be logged and transmitted.

ⓘ **Note:** This feature only applies to zones defined as Interior, Interior Delay, Interior Stay/Away, Instant Stay/Away, Delay Stay/Away, or Night Zones (PIR Zones). Do enable this option if section [380], option 2 - Restore on Bell Time Out is enabled.

5 - Late to Close

ON: Provides an audible warning if the alarm system has not been armed by a programmed time of day but does not arm the alarm system. The alarm system communicates and logs a Late to Close event at the end of the Auto-arm/Postpone pre-alert for each partition.

OFF: The alarm system will neither communicate nor log a Late to Close event at the time programmed for Auto-arm for each partition.

- ① **Note:** If the Auto-arm toggle option is disabled, the Auto-arm Pre-alert still occurs when a time is programmed for that day (if enabled) and the event is logged and communicated. This option does not directly affect the functionality of Auto-arm. If Late to Close is enabled and Auto-arming is not, LCD keypads display “System Arming in Progress” during the Late to Close Pre-alert.

6 - Daylight Savings Time

ON: The alarm system adjusts between Daylight and Standard times according to the times programmed in System Timers ([005] options 901-902).

- ① **Note:** Auto-arm and Test Transmissions should not be attempted between 0200 and 0300 hours, as they will be missed during a daylight savings clock adjust. Events programmed to occur between 0100 and 0200 will occur twice during a daylight savings clock adjust. Daylight Savings Time programming should not conflict with the Auto-arm and Test Transmissions programming.

OFF: The alarm system makes no automatic time adjustments for Daylight Saving time.

7 - Silence Chime During Quick Exit Delay

ON: Door chime does not sound during quick exit.

OFF: Door chime sounds during quick exit, according to zone settings.

8 - Bell Squawk on Away Arm/ Disarm Only

ON: Bell Squawks are only heard when away arming, as well as when disarming from Away mode. This feature prevents the siren from activating when arming in stay and night modes.

OFF: Bell Squawks are heard during all types of arming and disarming.

- ① **Note:** This option follows the “Bell Squawk Attribute” features if they are enabled.

[018] System Option 6

1 - Test Transmission Exception

ON: The alarm system does not send a test transmission if a transmission was sent to the receiver within the programmed interval as set in section [377]>[\[003\] – Periodic Test Transmission Cycle](#).

OFF: Test transmissions are always sent at the programmed interval.

2 - Real-Time Bypass Reporting

ON: When a non-24-hour zone is bypassed in [*][1], the system immediately logs and communicates the bypass status of the zone.

Global Zones: 24-hour and non-24 hour zone bypasses are logged and communicated in real time. Non-24 hour zone unbypass events are generated when the last assigned partition is disarmed.

OFF: When a non 24-hour zone is bypassed in [*][1], the system logs and communicates the bypass status of the zone only after the partition is armed. This option is applied regardless of how zones are bypassed in [*][1], recall bypass group, clear all bypasses, bypass open zones, bypass recall as well as other methods such as bypassing via ITv2 or DLS.

Global Zones: 24-hour zone bypasses are logged and communicated in real time. Non 24-hour zone bypass events are logged and communicated when armed. Non 24-hour zone unbypass events are logged and communicated when the partition is disarmed.

3 - Armed Status PGM ON at End of Exit Delay

ON: PGMs are activated at the end of exit delay. This applies to PGMs with one of the following armed status attributes:

- System Armed Status PGM
- Away Armed Status PGM
- Stay Armed Status PGM
- Away Armed with No Zone Bypass Status
- Partition Status Alarm Memory

OFF: PGMs are activated at the beginning of exit delay. This applies to PGMs with one of the armed status attributes listed above.

4 - Auto Bypass Report

ON: All Night or Stay/Away type zones that are auto-bypassed when arming in Night or Stay mode log and report Zone Bypass. When disarming, all auto-bypassed Night or Stay/Away zones log and report Zone Un-Bypassed. All manually bypassed zones continue to log and report.

OFF: All Night or Stay/Away type zones that are auto-bypassed when arming in Night or Stay mode do not log or report Zone Bypass. When disarming, all auto-bypassed Night or Stay/Away zones do not log and report Zone Un-Bypassed. All manually bypassed zones continue to log and report.

5 - Keypad Buzzer Follows Bell

ON: The keypad buzzer activates with all bell activity for the selected partition.

OFF: The keypad buzzer only activates with alarms programmed to do so.

6 - Exit Delay Restart

ON: Opening a delay zone door after it has already been opened and closed during an exit delay restarts the exit delay timer. Further openings and closings do not restart the timer.

OFF: Delay zone openings and closings do not restart the exit delay.

7 - AC Fail Trouble Beeps

ON: System keypads beep when an AC trouble event occurs.

OFF: System keypads are silent during AC troubles.

8 - Reserved

[019] System Option 7

1 - Audible Wireless Device Fault

ON: If a wireless zone fault occurs while armed, the siren sounds for the duration of Bell Time Out. This option only affects zone definitions that are considered armed. The following zone types do not generate an alarm when faulted while stay armed: interior stay away zone, delay stay away zone, instant stay away zone, night zone. The following zone types do not generate an audible alarm in any armed state (stay, away, or night): 24-hour supervisory, 24-hour non-alarm, 24-hour CO, delayed 24-hour Fire, standard 24-hour fire, Auto-verified fire.

When the partition is armed, wireless supervisory troubles from sirens, keypads and repeaters generate audible alarm conditions.

If Tamper/Fault Detection is enabled, these events can start the burglary verified timer and affect the burglary verified counter.

OFF: Wireless device faults do not sound the siren.

2 - Latching Troubles

ON: Troubles remain on the system until viewed via [*][2], even if they are restored. The trouble condition is cleared when the "Press (*) to Acknowledge" option is selected within the [*][2] menu after the trouble has restored. The Trouble LED turns off unless other troubles are present. The trouble is not cleared if the [*][2] menu times out before the [#] key is pressed.

OFF: Troubles are cleared once restored.

3 - Reserved

4 - Reserved

5 - Audible Bus Fault

ON: All module supervisory trouble conditions activate the siren.

OFF: Only zone expander supervisory trouble conditions while armed activate the siren.

6 - Duress Codes

ON: The duress code attribute can be enabled/disabled from the [*][5] menu. For UK BS8243 installations the default is off.

OFF: The duress code attribute is not programmable from the [*][5] menu.

7 - Temperature in Celsius

ON: Temperature is displayed in Celsius on LCD keypads.

OFF: Temperature is displayed in Fahrenheit on LCD keypads.

8 - Reset After Zone Activation

ON: Only a police code\sequential detection alarm requires a remote reset once the partition has been disarmed.

OFF: Any burglary alarm requires a remote reset once the partition has been disarmed.

[020] System Option 8

1 - Access Code Entry During Entry Delay

ON: During entry delay the alarm system can only be disarmed using a keyswitch or proximity tag. When the siren is active an access code can still be used to disarm the system.

OFF: An access code can be used to disarm the system during entry delay.

EN 2 - EU Entry Procedure

ON: If an alarm occurs on a zone when entry delay is not active, the siren activates and the alarm is communicated immediately, depending on the zone type tripped.

When entry delay is active, all burglary type alarms activate the siren, but communication of the alarm is delayed by 30 seconds. When entry delay expires, the alarm is not communicated unless the siren has been active for at least 30 seconds.

Police code is not generated as a result of alarms triggered during entry delay, although the Burglary Verification Timer starts after entry delay and the 30-second communication delay expire.

This feature is only active when the partition is armed.

OFF: Burglary alarms that occur during entry delay activate the siren and are communicated immediately. Two exceptions are if the bell delay timer is programmed and if transmission delay is enabled for the zone in alarm. In both cases, the alarm follows the timer.

3 - [*][8] Access While Armed

ON: This option ensures [*][8] installer programming is accessible from a keypad on a disarmed partition while other partitions on the system are still armed.

① **Note:** For UL listed installations, this option must be disabled.

OFF: [*][8] installer programming is not available when any partition on the system is armed. All partitions must be disarmed and the siren must be off before [*][8] is accessible.

UK 4 - Remote Reset

ON: If an alarm occurs on a burglary zone, the system is locked out after disarming. It remains locked until a 5-digit reset code, provided by the installer/central station, is keyed in. If a duress code is used to disarm the partition, the system is not locked out.

In the disarmed state, only Audible 24 Hour Burglary zones, Audible 24 Hour Latching Tamper zones, and Audible 24 Hour zone on PGM 2 cause lockout.

To obtain the reset code, the user must provide a corresponding system lock code, displayed on the keypad when one of the following conditions occurs:

- the system has been disarmed (Duress Code excluded)
- the bell has timed out (24Hr zones)
- an access code has been entered (24Hr zones)

On an LCD keypad, the message "REMOTE RESET RQD" is displayed on the top line and "CODE" along with the actual code is displayed across the bottom line..

While the system is locked out, the only options available are [*][3], [*][6], [*][7], and [*][8]. Accessing [*][8] Installer Programming unlocks the alarm system. The system continues to function (alarms, tampers, etc) while the system is locked out. Lock out follows both transmission and bell delays.

OFF: The system is not locked out after an alarm occurs.

EN 5 - Engineer Reset (EU)

ON: If the alarm system has gone into alarm during the previous armed period, or if a 24-hour alarm has occurred (armed or disarmed), the system cannot be armed (Ready light OFF) until Installer Programming is entered or Engineer Reset is performed via DLS. "Reset Required" is displayed on the keypad. This feature applies to tampers and faults in both armed and disarmed states and does not apply to module tampers, system supervisors, zone expander alarms or PGM 2 input alarms.

① **Note:** If Engineer Reset is triggered during exit delay, the system still arms. Troubles cannot be overridden while Engineer Reset is enabled.

OFF: The system does not require Engineer Reset or to be placed into Installer Programming in order to arm the alarm system after an alarm.

6 - Keyswitch Disarming During Entry Delay

ON: Keyswitches, proximity tags and wireless keys disarm the alarm system only if an entry delay is active.

OFF: Keyswitches, proximity tags and wireless keys disarm the alarm system regardless of entry delay.

① **Note:** Do not enable with option in conjunction with [040] Prox and Code.

EN 7 - Installer Access and DLS

ON: The user must enter [*][6][access code][05] before the installer can access Installer Programming by DLS or via the keypad ([*][8]).

Installer Programming remains accessible for 6 hours, during which time the installer can enter/exit or connect with DLS an unlimited number of times.

OFF: The installer can access Installer Programming without the user entering [*][6].

EN 8 - Troubles Inhibit Arming

ON: The following troubles prevent arming until restored:

- Tamper on the alarm system, modules and zones
- Corbus troubles
- AC troubles on the alarm system and modules
- Battery troubles on the alarm system, modules and zones
- Transmission troubles (FTC, TLM, GPRS, Ethernet)
- Bell troubles

The alarm system can still be armed if troubles are overridden. To perform a trouble override, while in the Trouble Menu ([*][2]), scroll right or left and press [*] when Trouble Acknowledgment is displayed on the keypad. Alternatively, press the [9][9] key to acknowledge and override the existing troubles. To override open zones, faulted zones or tampered zones use the Zone Bypass feature.

OFF: The system can be armed even when troubles are present.

- ① **Note:** For CP-01 installations, this option is disabled.
- ① **Note:** When Engineer Reset is on, trouble conditions cannot be overridden. Zone Expander supervisory troubles cannot be acknowledged and overridden. These conditions must be restored before the panel can be armed.
- ① **Note:** When [024][3] is enabled, AC/DC Inhibit Arming, the AC or DC trouble must be restored before the system can be armed.

[021] System Option 9

EN 1 - Trouble Display

ON: If the panel is both armed and keypad blanking is active, when a trouble is present the keypad trouble LED will remain off. When the system is disarmed, or if blanking is removed, the trouble LED will be active if a trouble is present.

OFF: The trouble LED will turn off when keypad blanking is active in armed or disarmed state.

EN 2 - Keypad Blanking while Armed

ON: If [016][3] is disabled within 30 seconds after the exit delay terminates, the keypad blanks (no indicator lights).

OFF: The keypad blanks when the system is armed or disarmed.

- ① **Note:** For systems compliant with EN50131-1 and EN50131-3, option [021] bit 2 "Keypad blanking while armed" must be ON.

3 - Reserved

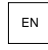
4 - Ready Display

ON: The keypad ready LED will continue to show system ready status while keypad blanking is active.

OFF: The keypad ready LED will turn off when keypad blanking is active.

5 - PGM Blanking

This feature is meant to be used in conjunction with the keypad blanking while armed feature.

 ON: This feature is necessary to comply with EN50131-1:2006.

When the system enters blanking mode, any PGMs programmed as Armed Status, Ready Status, Away Armed Status, or Stay Armed Status will de-activate. If blanking is cleared by pressing a key, or entering an access code depending on how the panel is configured, these PGMs must re-activate if they would have normally been ON if blanking was disabled.

OFF: When the system enters blanking mode, any PGMs programmed as Armed Status, Ready Status, Away Armed Status, Stay Armed Status) operate normally.

6 - Armed Display

ON: The keypad armed LED will continue to show Armed status while keypad blanking is active.

OFF: The keypad armed LED will turn off when keypad blanking is active.

7 - Open Zones Cancels Arming

ON: The system cannot be armed while zones are open unless the zones are bypassed using [*][1]. In order to bypass open zones, the bypass attribute needs to be enabled for the zone.

OFF: Open zones do not prevent arming.

8 - Audible Exit Delay for Stay Arming

ON: When the system is armed in Stay mode the exit delay is sounded by 1 beep every 3 seconds.

OFF: When the system is armed in Stay mode the exit delay is silent.

[022] System Option 10

1 - [F] Key Option

ON: When the [F] key is pressed, acknowledge beeps are only emitted from the keypad. The siren does not sound fire alarm.

OFF: [F] key acknowledgment beeps are emitted from the keypad and sounds for fire alarm.

2 - Reserved

3 - Reserved

 4 - Transmission Counter in Hours

ON: The alarm system sends a test transmission after the programmed number of hours in the test transmission cycle (Section [377], Option 003).

OFF: The alarm system sends a test transmission after the programmed number of days.

 **Note:** This option must be set to OFF for UL installations.

5 - Away to Stay Toggle

ON: The alarm system cannot be switched from Away to Stay mode by pressing the [Stay] function key.

OFF: The alarm system can be switched from Away to Stay mode by pressing the [Stay] function key.

6 - 2-Way Audio Disconnect

ON: The system does not disconnect the 2-way audio session if a new event needs to be communicated.

- ① **Note:** This option applies to new alarm events only. All non-alarm events (except Fire Troubles) are communicated after the 2-Way session has ended.

OFF: The system disconnects the 2-way audio session if a new event occurs.

7 - Trouble Beeps are Silent

ON: When a trouble is detected on the system, trouble beeps are not sounded at the keypad with the exception of Fire troubles.

OFF: When a trouble is detected on the system, trouble beeps are sounded at the keypad.

- ① **Note:** This option must be OFF for UL Residential Fire applications.
- ① **Note:** To silence the Fire Trouble beep, press [*][2] and exit. Accessing [*][2] requires a valid user code.

8 - Keyswitch Arms in Away Mode

ON: Keyswitch arming arms the alarm system in away mode.

OFF: Keyswitches only arm the system in away mode if an entry/exit zone is violated during exit delay.

- ① **Note:** Proximity tag arming follows this section.

[023] System Option 11

1 - Ready LED Flashes for Force Arm

ON: If a force arm capable zone is tripped, partition keypads flash the ready LED in the disarmed state instead of illuminating it steadily. If a non-force arm capable zone is tripped, the ready LED turns off.

OFF: If a force arm capable zone is tripped, the Ready LED is illuminated steadily. If a non-force arm capable zone is tripped, the Ready LED turns off.

2 - Access Code Required for [*][*]

ON: When using the [*][*] Temperature Display Menu command, an access code must be input before the temperature menu can be viewed.

OFF: An access code is not required to view the temperature menu using [*][*].

EN 4 - Tamper/Fault Detection

ON: The following trouble conditions, when configured to generate audible alarm conditions, will contribute to a burglary verification sequence when sequential detection is used. When enabled, a bell circuit trouble will also generate an audible alarm condition using other sirens that assigned to the partition.

- TLM trouble
- Bell circuit trouble
- Zone fault
- Module supervisory trouble
- Alternate Communicator fault

- Ethernet Trouble
- Zone Mask Fault

OFF: Trouble conditions are displayed and processed as standard operation.

Note: This option applies to the Sequential Detection feature only.

EN 5 - Access Code Required for [*][1]

ON: When using the [*][1] Bypass Zones command, an access code must be input before zones are bypassed.

OFF: An access code is not required to bypass zones using [*][1].

EN 5 - Access Code Required for [*][2]

ON: When using the [*][2] View Troubles command, an access code must be input before system troubles can be viewed.

OFF: An access code is not required to view troubles using [*][2].

Note: For UL Residential installations, ensure the access code requirement is set to ON.

EN 6 - Access Code Required for [*][3]

ON: When using the [*][3] View Alarms in Memory command, an access code must be input before the alarm memory can be viewed.

OFF: An access code is not required to view alarms in memory using [*][3].

7 - Access Code Required for [*][4]

ON: When using the [*][4] Chimes command, an access code must be input before chimes can be toggled on and off.

OFF: An access code is not required to toggle chimes using [*][4].

8 - [*][6] Accessibility

ON: All user codes provide access to the [*][6] menu.

OFF: Only the master code provides access to the [*][6] menu.

[024] System Option 12

1 - Reserved

2 - Reserved

EN 3 - AC/DC Inhibits Arming

ON: The system cannot be armed when an AC or battery trouble is present. This includes keypad, keyswitch, automatic, and DLS arming. An error tone is generated if the user attempts to arm the system during an AC/DC trouble.

Note: Displaying AC troubles ([016] option 2) is strongly recommended if this option is enabled.

OFF: The system can be armed, regardless of the presence of an AC or DC trouble and does not check the system battery upon arming.

4 - Tamper Inhibit Arming

ON: The following conditions trigger Tamper Inhibit Arming:

- Faults on the zones, modules
- Tamper on the zones, modules
- Bell circuit trouble
- Communications fault troubles (TLM, FTC, Radio/Sim card failure, ethernet trouble, communicator fault)
- Warm start troubles

Tamper must be restored through Installer Programming before the system can be armed (including no-activity and keyswitch arming). Reset Required displays on the keypad.

When this option is enabled, manual zone bypassing does not bypass the tamper or fault states (DEOL). This feature also applies to zone faults.

OFF: Tamper troubles do not latch and do not prevent arming.

5 - Real time Clock

ON: If enabled, the panel will set the time and date automatically provided by either the on board Ethernet or the cellular communicator at 4:05pm.

OFF: If disabled, the system time and date needs to be manually programmed

- ① **Note:** The time zone of the panel must be set in [851][020] and the Ethernet or Cellular communication must be communicating to a System 5 Surgard receiver.

6 - Reserved

7 - Reserved

8 - DLS Disconnect

ON: All events except Periodic Test Transmission, Periodic Test with Trouble, and System Test are considered priority events. If DLS is active when an event occurs, the alarm system immediately terminates the connection in order to communicate the new events.

OFF: Only the following alarm type events terminate a DLS session:

- Zone alarms
- FMP key alarms
- Duress alarms
- Zone expander supervisory alarms
- 2-wire smoke alarms

[025] System Option 13

1 - European Dial

ON: Pulse dialing make/break ratio is 33/67.

OFF: Pulse dialing make/break ratio is 40/60.

2 - Force Dial

ON: The system dials the central station phone number even if no dial tone is present. The process is as follows:

1. Dial programmed phone number.

2. If no dial tone detected, terminate call.
3. Search for dial tone for 5 seconds.
4. If no dial tone detected, hang up for 20 seconds.
5. Search for dial tone for 5 seconds.
6. If no dial tone detected, dial anyway.

OFF: No attempt is made to contact the central station if dial tone is not present.

Note:  Force Dial must be enabled for UL installations.

3 - Test Transmission Counter in Minutes

ON – When the option is on, the Periodic Test Transmission interval programmed in section [377] [003] will be 000-255 minutes instead of 000-255 days or hours.

OFF – When the option is off, the Periodic Test Transmission interval programmed in section [377] [003] will be 000-255 days, or hours if option 4 in section [022] is enabled.

Note: This value must be set to OFF for UL installations.

4 - Warm Start Indication

ON - Warm Start trouble is logged and indicated in the [*][2] Troubles Menu.

OFF: Warm Start trouble is a log only event.

5 - I.D. Tone

ON: After the telephone number is dialed, the alarm system emits a tone (as specified by I.D. Tone Frequency option) for 500ms every two seconds to indicate that a digital equipment call is in progress.

OFF: I.D. tone is disabled.

6 - Tone Generated-2100Hz

ON: 2100 Hz I.D. tone.

OFF: 1300 Hz I.D. tone.

7 - DLS Window

ON: When DLS access is enabled ([*][6] option 5 ON), Installer Programming is accessible through DLS or the [*][8] menu only once during a 30 minute window.

OFF: When DLS access is enabled, Installer Programming is accessible through DLS or the [*][8] menu an unlimited number of times during a 6-hour window.

8 - FTC Audible Bell

ON: If a Failure to Communicate trouble is generated while the system is armed, the siren activates for the length of bell time-out or until the system is disarmed.

OFF: If a Failure to Communicate trouble is generated while the alarm system is armed, the siren does not activate but the keypad buzzer emits trouble beeps until a key is pressed.

[040] User Authentication

This feature enables the installer or master user to select one of two user authentication methods:

01 - User Code or Proximity Tag

The user can access the system by entering a valid code or by presenting a proximity tag.

02 - User Code and Proximity Tag

The user must enter a valid code and present a proximity tag whenever the system prompts for an access code. A proximity tag is not required to enter [*][8] Installer Programming.

① **Note:** When this option is enabled, the proximity tag and code must belong to the same user.

[041] Access Code Digits

00 - 4-Digit Access Codes

Access codes are 4 digits long.

EN 01 - 6-Digit Access Codes

Access codes are 6 digits long.

① **Note:** This setting is required for EN50131-1 compliant installations using more than 100 access codes.

02 - 8-Digit Access Codes

Access codes are 8 digits long.

① **Note:** This setting is required for EN50131-1 compliant installations using 1000 access codes.

[042] Verified Events

Burglary Verified Counter

This counter determines the number of burglary alarms that must occur within the Burglary verification window before a confirmed Burglary Verified alarm is logged and communicated. Zones with the burglary verification zone attribute enabled contribute to the generation of a confirmed Burglary Verified alarm in conjunction with this counter and the burglary verification timer.

Holdup Verification Counter

This counter determines the number of alarms that must occur within the Holdup verification window before a confirmed Holdup alarm is logged and communicated. Zones with the holdup verification zone attribute enabled contribute to the generation of a confirmed Holdup alarm in conjunction with this counter and the holdup verification timer.

Burglary Verification Selection

Use this section to select one of the following burglary verification timer modes:

Option	Mode	Description
001	Police Code	The burglary verification timer operates in minutes.
002	Cross Zoning	The burglary verification timer operates in seconds. The first alarm in the sequence does not log or communicate the alarm or activate the bell.
003	Sequential Detection	The burglary verification timer operates in minutes. The first alarm in the sequence causes an audible bell.

Partition Setup

[151]-[182] Partition Auto-Arm/Disarm

Enter section 151 to 182 for partition 1 to 32 auto-arm/disarm configuration.

[001] – Partition Auto-Arming Times

Use this section to program the time of day a partition is automatically armed. A different auto-arming time can be programmed for each day of the week from Sunday to Saturday. Time is in 24-hour format (HH:MM) and valid entries are from 00:00 to 23:59.

Conditions that cancel auto-arming if enabled:

- Open zones (depending on the settings of the zone)
- AC/DC troubles
- System troubles
- Any valid disarming procedure - proximity tag, access code, disarm key, etc.

[002] – Partition Auto-Disarm Times

Use this section to program the time of day a partition is disarmed. A different auto-disarming time can be programmed for each day of the week from Sunday to Saturday. Time is in 24-hour format (HH:MM) and valid entries are from 00:00 to 23:59.

① **Note:** If entry delay is active at auto-disarm time, the system does not disarm. A valid disarming procedure is required by the user who initiated the entry delay.

[003] – Partition Auto-Disarming Holiday Schedules

Use this section to select a holiday schedule group. See [711]-[714] [Holiday Schedules](#) for more information.

[004] – Partition Auto-Arming Pre-Alert Timer

Use this section to program the duration of the auto-arm pre-alert. The system arms when the pre-alert timer expires. Valid entries are from 001 - 255 minutes.

If a valid access code is keyed in, this timer is postponed for the length of time programmed in Partition Auto-Arm Postpone timer (see below). The pre-alert timer can be postponed multiple times. Keyswitches and proximity tags can be used to cancel auto-arming.

[005] – Partition Auto-Arm Postpone Timer

Use this section to program the length of time the auto-arm pre-alert timer is postponed for. Valid entries are between 001 and 255 minutes. 000 cancels the postpone timer.

When the postpone timer expires, the Auto-arm pre-alert timer restarts (unless the partition is armed). If left uninterrupted the partition arms at the end of the pre-alert.

If a code is entered during the pre-alert, auto-arm cancel/postpone is logged and communicated and the postpone timer starts. When the postpone timer expires, pre-alert is sounded again and the cycle repeats. The Auto-arm may be postponed multiple times.

[006] – Partition No Activity Arming Timer

Use this section to program the duration of the No Activity timer. If this timer expires and no zones have been activated, the partition arms in Away mode (exit delay will not sound). When the timer expires, keypad buzzers activate for the time programmed in No Activity Arming Pre-Alert (see below).

The timer restarts when a delay type zone is restored. The timer does not restart when the system is disarmed. The timer stops if an un-bypassed zone is tripped, tampered or restored or with any keypad activity.

Separate No Activity Arming timers are provided for each partition.

Valid entries are from 000 – 255 minutes. 000 disables this feature.

[007] – Partition No Activity Arming Pre-Alert Timer

Use this section to program the duration of the No Activity Arming pre-alert that sounds when the No-Activity timer for the partition expires. If any key is pressed or zone is activated or restored, the No Activity Arming pre-alert is aborted.

Valid entries are 000 - 255 minutes. 000 disables this feature.

❗ **Note:** Wireless key arm keys cannot be used to cancel no activity pre-alert.

[200] Partition Mask

A partition is a limited area of the premises which operates independently from the other areas. Partitions are added or removed from the system by applying or removing a partition mask.

[001] – Partition 1 to 32 Enable Mask

Select options 01-08 to enable or disable partitions. Partition 1 is always enabled. Partitions 2 to 32 are selectable. The number of available partitions depends on the model, as shown below:

Model	Zones	Partitions
HS3032	32	4
HS3128	128	8
HS3248	248	32

[201]-[232] Partition Zone Assignment

Zones can be assigned to any partition. Global zones are zones assigned to more than one partition. A global zone is only armed when all assigned partitions are armed. The zone is disarmed when any of the assigned partitions is disarmed. By default, zones 1 through 8 are assigned to partition 1.

To assign zones to partitions, first select a partition [201]-[232], then select a zone group [001]-[031] and then a zone (1-248):

Zone group	Zone	Zone group	Zone
001	1-8	017	129-136
002	9-16	018	137-144
003	17-24	019	145-152
004	25-32	020	153-160
005	33-40	021	161-168
006	41-48	022	169-176
007	49-56	023	177-184
008	57-64	024	185-192
009	65-72	025	193-200
010	73-80	026	201-208
011	81-88	027	209-216
012	89-96	028	217-224
013	97-104	029	225-232
014	105-112	030	233-240
015	113-120	031	241-248
016	121-128		

All zones assigned to a partition are supervised and operate according to the zone type programmed. If a zone is not assigned to a partition, it is not supervised and all activity on the zone is ignored by the system.

[304] Call Waiting Cancel String

Use this section to program a string that, when pressed, disables call waiting on a phone line. Call waiting cancel is typically *70 in most areas. Dialing this string before a phone number disables call waiting for the duration of the call.

When this section is programmed and Call Waiting Cancel Options is ON (see [\[382\] Communicator Option 3](#)), the alarm system dials this string before the phone number. This is only done on the first dialing attempt for each phone number.

This is a 6-digit field. Fill unused digits with Hex F.

[300] Panel/Receiver Communication Paths

This section is used to select the path of communications between the alarm system and the central station.

Paths can be established through either the alarm system's on-board Public Switched Telephone Network (PSTN) connection through the on board Ethernet or through the optional cellular communicator.

Paths to four receivers can be programmed using [001 - Delay 1](#) - [004 - Interior](#). The communications path for each receiver is defined by selecting one of the following six options:

[01] Phone Line

Events are communicated through the alarm system phone line programmed in section [\[301\]](#). If Phone Line is selected for receiver 1, the phone number programmed in section [\[301\]](#) option [\[001\]](#) is used. If Phone Line is selected for receiver 2, the phone number programmed in section [\[301\]](#) option [\[002\]](#) is used, etc.

[02] Alternate Communicator Auto Routing

Selecting this option enables the alternate communicator to determine which communications path to use (Ethernet primary/secondary, and/or cellular primary/secondary). See section [\[851\] Alternate Communicator Programming](#) for details.

[03] Alternate Communicator Receiver 1

Events are communicated through Ethernet receiver 1.

[04] Alternate Communicator Receiver 2

Events are communicated through Ethernet receiver 2.

[05] Alternate Communicator Receiver 3

Events are communicated through cellular receiver 3.

[06] Alternate Communicator Receiver 4

Events are communicated through cellular receiver 4.

[301] Phone Number Programming

Section [\[301\]](#) is used to program up to 4 telephone numbers used to communicate with the central station over PSTN.

[\[001\]](#) The phone number used to communicate with receiver 1

[\[002\]](#) The phone number used to communicate with receiver 2

[\[003\]](#) The phone number used to communicate with receiver 3

[\[004\]](#) The phone number used to communicate with receiver 4

All telephone numbers can be a maximum of 32 digits. Hexadecimal digits may be included to perform the following functions:

- HEX B ([*] [2] [*]) - to dial "*"
- HEX C ([*] [3] [*]) - to dial "#"
- HEX D ([*] [4] [*]) - for an additional dial tone search, as required by PBX telephone systems.
- HEX E ([*] [5] [*]) - to insert a 2-second pause in the telephone number. This causes a static delay of 2 seconds before any additional dial tone search in a phone number.
- HEX F ([*] [6] [*]) - represents the end of the Phone Number (everything after F is ignored).
- Pressing [#] in these sections exits and saves the entire phone number.

The alarm system does not attempt to communicate using PSTN if no phone number is programmed.

Reporting

[307] Zone Reporting

Zone alarms, tampers and faults are transmitted to the central station using automatic contact ID or SIA formats. Reporting can be toggled on or off by zone using toggle options 1-6 in subsections 001-248.

See "Reporting Codes" on page 223 for zone reporting code descriptions.

- 1 - Alarm
- 2 - Alarm Restore
- 3 - Tamper
- 4 - Tamper Restore
- 5 - Fault
- 6 - Fault Restore

[308] Event Reporting

System events are transmitted to the central station using automatic contact ID or SIA formats. Reporting can be disabled by toggle options, programmable in the following sub-sections.

See [Reporting codes](#) for event code descriptions.

[001] Miscellaneous Alarm 1

The reporting codes in this section are sent to the Alarm & Restore call direction group.

1 - Duress Alarm

Sent when a duress code is used to perform any function on the system.

2 - Opening After Alarm

Sent during disarming if an alarm occurred during the previous armed period.

3 - Recent Closing Alarm

Sent if an alarm occurs within 2 minutes of the exit time expiration (for the first alarm only). Zone alarm transmission delays do not affect this reporting code.

4/5 - Zone Expander Supervisory Alarm/ Restore

Sent when the system loses communication with the following modules:

- Zone Expander Module
- Keypad with an on-board I/O configured as a zone

This reporting code is independent of the general system supervisory code sent to the Alarms and Restores call direction group.

6 - Burglary Verified

When using Cross Zoning, this reporting code is sent when two crossed zones go into alarm during the cross zone timer.

When using Police Code or sequential detection, this reporting code is sent when any two zones that have the burglary verification attribute enabled go into alarm. Arming the system resets the zone alarm count for police code or sequential detection.

7 - Burglary Not Verified

When using Cross Zoning or sequential detection, this reporting code is sent if the cross zone timer is initiated by the first cross zone alarm, but is not verified by a second alarm before the timer expires.

8 - Alarm Cancel

Sent when a valid access code is entered during the communications cancel window. The central station acknowledges cancellation by providing a keypad ringback.

[002] Miscellaneous Alarm 2

1 - Holdup Verified

Sent when the configured Holdup verified conditions have been met.

❗ **Note:** Not for use with UL/ULC listed installations.

2 - Hold-up unverified

This reporting code transmits when the configured Hold-up unverified condition is met.

[011] Priority Alarms 1

The reporting codes in this section are sent to the Alarm & Restore call direction group and apply to all system keypads.

1/2 – Keypad Fire Alarm-[F] Key Alarm/Restore

Sent when [F] Key alarms/restores occur.

3/4 – Keypad Medical Alarm-[M] Key Alarm/Restore

Sent when [M] Key alarms/restores occur. The keypad beeps 10 times when the medical alarm is successfully communicated to the alarm monitoring station.

5/6 – Keypad Panic Alarm-[P] Key Alarm/Restore

Sent when [P] Key alarms/restores occur.

7/8 – Auxiliary Input Alarm/ Restore

Sent when an alarm condition occurs/ is restored on PGM 2 (if configured as an input).

[021] Fire Alarms 1

3/4 – PGM 2 2-Wire Alarm/Restore

When PGM 2 is programmed as a 2-wire smoke alarm, this reporting code is sent when an alarm condition is detected and when it is restored.

[101] Tamper Events

3/4 – Module Tamper/Restore

This reporting code is transmitted when a system module enters a tamper alarm state and uses the System Tamper Alarm and Tamper Restore call direction.

5 - Keypad Lockout

Sent when a number of invalid access codes have been entered at a system keypad.

This reporting code is sent to the system Tamper Alarm & Tamper Restore call direction group.

7 - Remote Lockout

Sent when a number of invalid access codes have been entered through DLS or Integration. This reporting code is sent to the system Tamper Alarm & Tamper Restore call direction group.

[201] Open/Close Events 1

1/2 – User Closing/Opening

This reporting code is transmitted when a user arms/disarms a partition and uses the Opening and Closing call direction.

5/6 – Special Closing/Opening

This reporting code is transmitted when a partition is closed/opened using quick arm ([*][0]), downloading, or Stay or Away function keys without an access code. The Opening and Closing call direction group is used for this reporting code.

7/8 – Keyswitch Opening/Closing

This reporting code is transmitted when a keyswitch zone is used to arm or disarm the system.

[202] Open/Close Events 2

1 - Automatic Closing

This reporting code is transmitted when a partition is automatically armed or schedule armed and uses the Opening call direction group.

2 - Automatic Disarm

This reporting code is transmitted when a partition is automatically disarmed when a scheduled time of day is reached.

3 - Auto Arm Cancellation/Postpone

This reporting code is transmitted when the automatic arm sequence is canceled during a pre-alert and uses the Opening and Closing call direction group.

[211] Miscellaneous Open/Close Events

1/2 – Late to Close/Open

This reporting code is transmitted when a partition is not disarmed before the automatic disarm time, when the late to open option, ([*][6], option 9) is enabled. The Opening and Closing call direction group is used for this reporting code.

5 - Exit Fault

This reporting code is transmitted when an exit error occurs and entry delay expires before the system is disarmed. The Alarms and Restores call direction group is used for this reporting code.

If the delay zone that caused the exit error has cross zoning enabled, the exit fault and zone alarm transmits if a second zone is not tripped. The local alarm sequence follows cross zoning rules. The exit error is transmitted with the zone alarm that caused the fault, even if that zone has transmission delay enabled.


6 - Arming Cancelled

This reporting code transmits when an arming cancelled error occurs.

[221] Bypass Events

1/2 – Automatic Zone Bypass/Unbypass

This reporting code is transmitted when a zone is automatically bypassed/unbypassed and uses the Opening and Closing call direction group.

Note:  Must be enabled in UK.

3 - Partial Closing

This reporting code is transmitted if zones are manually bypassed at the time of arming or force armed by automatic arming. The Opening and Closing call direction group is used for this reporting code.

Automatic bypasses caused by stay arming do not cause transmission of this code.

[301] Panel Events 1

1/2 – Panel AC Fail Trouble/Restore

This reporting code is transmitted when the alarm system AC supply fails or has been restored. A programmable delay applies to both the trouble and the restore. This reporting code is sent to the System Maintenance call direction group.

3/4 – Panel Low Battery Trouble/Restore

These reporting codes are transmitted when the panel battery voltage falls below 11.5 VDC or is restored. These reporting codes are sent to the System Maintenance call direction group.

5/6 – Panel Battery Absent Trouble/Restore

These reporting codes are transmitted when the panel battery is not connected or is restored. These reporting codes are sent to the System Maintenance call direction group and are transmitted when the panel battery is detected as absent.

7/8 – Panel Power Unit Failure/Restore

These reporting codes are transmitted when the power unit fails or is restored.

[302] Panel Events 2

1/2 – Bell Circuit Trouble/Restore

This reporting code is transmitted when a bell trouble condition occurs or is restored on the system. This reporting code is sent to the System Maintenance call direction group.

3/4 – Telephone Line Trouble and Restore

This reporting code is transmitted when an alarm controller TLM trouble occurs or is restored. The TLM trouble is communicated over an unaffected communication path if available.

This reporting code is sent to the System Maintenance call direction group.

5/6 – Auxiliary Power Supply Trouble/Restore

This reporting code is transmitted when an auxiliary voltage supply trouble occurs or is restored. This reporting code is sent to the System Maintenance call direction group.

7/8 – Overcurrent Trouble/Restore

This reporting code is transmitted when an overcurrent trouble occurs or is restored. Current threshold is 2 amps.

[305] Panel Events 5

3/4 – PGM 2 2-Wire Trouble/Restore

This reporting code is transmitted when a trouble condition on PGM 2, configured as two-wire smoke, occurs or is restored. This reporting code is sent to the System Maintenance call direction group.

[311] Maintenance Events 1

1/2 – RF Jam Trouble/Restore

Sent when RF jam troubles occur/are restored. The following events cause RF jam troubles:

- Wireless repeater jamming
- RF jam

3/4 – Fire Trouble/Restore

Sent when a low sensitivity, tamper or internal fault condition/restore is detected on a wireless smoke detector or supervisory fault with a hardwired smoke detector.

5 - Cold Start

Sent when power is restored to the alarm system after total power failure. The code is sent after 2 minutes to allow the alarm controller to stabilize.

6 - Delinquency

When the Delinquency option is off (see [6 - Delinquency](#)), this code is transmitted if the alarm system has not been armed for the number of days programmed in the Delinquency Transmission Delay (see [Delinquency Transmission Delay](#)).

When the Delinquency option is on, this code is transmitted when no zone activity has been detected on the system for the number of hours programmed in Delinquency Transmission Delay.

7 - Self Test Trouble

Sent when a self test trouble occurs for an outdoor PIR.

8 - Self Test Trouble Restore

Sent when a self test trouble has been restored for an outdoor PIR.

[312] Maintenance Events 2

1/2 – Installer Lead In/ Lead Out

The Installer Lead In and Lead Out reporting codes are sent when the alarm system enters and exits Installer Programming respectively.

3/4 – DLS Lead In/Lead Out

The DLS Lead In reporting code is sent:

- after DLS communication has been successfully established, but before the alarm system calls back the downloading computer. This code is only transmitted when call back is enabled.
- on user-initiated call-up.

The DLS Lead Out reporting code is sent when a DLS session is successfully ended.

❶ **Note:** If DLS is terminated by an alarm, the DLS Lead Out reporting code is not transmitted.

5/6 – SA Lead In/Lead Out

The SA Lead In reporting code is sent:

- after SA communication has been successfully established, but before the alarm system calls back the downloading computer. This code is only transmitted when call back is enabled.
- on user-initiated call-up.

The SA Lead Out reporting code is sent when an SA session is successfully ended. The SA Lead Out reporting code is still sent if the session is terminated by an alarm.

7 - Event Buffer 75% Full

Sent when the event buffer reaches a threshold of 75% without being uploaded.

[313] Maintenance Events 3

1/2 – Firmware Update Begin/was Successful

Sent when a remote firmware update is initiated/ is successfully completed.

3 - Firmware Update Fail

Sent after an unsuccessful remote firmware update.

[314] Maintenance Events 4

1/2 – Gas Trouble/Restore

Sent when a trouble occurs or is restored on a wireless gas detector.

3/4 – Heat Trouble/Restore

Sent when a heat trouble occurs or is restored on a wireless temperature detector.

5/6 – Freeze Trouble/Restore

Sent when a freeze trouble occurs or is restored on a wireless temperature detector.

7/8 – Probe Disconnected Trouble/Restore

Sent when a probe disconnected trouble occurs or is restored on a wireless temperature detector.

[321] Receiver Events

2/4/6/8 – Receiver 1 - 4 FTC Restore

Sent when the panel detects an FTC trouble.

[331] Module Events 1

1/2 – Module AC Trouble/Restore

This reporting code is transmitted when a module's AC supply fails or has been restored. A programmable delay applies to both the trouble and the restore. This reporting code is sent to the System Maintenance call direction group.

3/4 – Module Battery Trouble/Restore

These reporting codes are transmitted when a module's battery voltage falls below 11.5VDC or is restored. These reporting codes are sent to the System Maintenance call direction group.

5/6 – Module Battery Absent/Restore

These reporting codes are transmitted when a module's battery is absent or is restored. These reporting codes are sent to the System Maintenance call direction group.

7/8 – Module Power Unit Failure/Restore

These reporting codes are transmitted when a module's battery is detected as absent or restored. These reporting codes are sent to the System Maintenance call direction group.

[332] Module Events 2

1/2 – Module Low Voltage Trouble/Restore

Sent when module voltage drops below acceptable levels or is restored.

3/4 – Module Supervisory Trouble/Restore

Sent when communication with a module is lost or restored.

5/6 – Module Aux Trouble/Restore

Sent when a high current output module or power supply module experiences an auxiliary voltage supply trouble.

[335] Module Events 5

1/2 – Output 1 Fault/Restore

This reporting code is sent when the first output on the high-current output expander module goes into fault (open or short) or is restored.

Only the first output on the high-current expander module is supervised.

[351] Alternate Communicator 1

1/2 – Alt. Comm Communications Fault/Restore

Sent when the system loses or restores communications with the alternate communicator.

3/4 – Reserved

5/6 – Reserved

7/8 – Alt. Comm Radio/SIM Failure/Restore

Sent when the alternate communicator experiences trouble or restore of the radio/SIM.

[352] Alternate Communicator 2

1/2 – Alt. Comm Network Fault/Restore

Sent when the alternate communicator loses or restores communication with the network.

5/6 – Alt. Comm Ethernet Trouble /Restore

Sent when the alternate communicator detects a network absent condition or DHCP failure or restore.

[354] Alternate Communicator 4

Receiver 1 to 4 Trouble and Restore

Sent when the alternate communicator detects a trouble or restore condition on receiver 1-4.

1/2 – Receiver 1 Trouble/Restore

3/4 – Receiver 2 Trouble/Restore

5/6 – Receiver 3 Trouble/Restore

7/8 – Receiver 4 Trouble/Restore

[355] Alternate Communicator 5

Receiver 1 to 4 Supervision Failure and Restore

Sent when the alternate communicator detects a supervision trouble for the Ethernet receiver (1, 2) or the GPRS receiver (3, 4).

1/2 – Receiver 1 Supervision Failure/Restore

3/4 – Receiver 2 Supervision Failure/Restore

5/6 – Receiver 3 Supervision Failure/Restore

7/8 – Receiver 4 Supervision Failure/Restore

[361] Wireless Device Events

1/2 – Wireless Device AC Failure/Restore

These options are used to enable wireless device AC failure/restore reporting codes. These reporting codes are sent when a wireless device experiences an AC failure/restore.

3/4 – Wireless Device Low Battery Trouble/Restore

These options are used to enable wireless device low battery trouble/restore reporting codes. These codes are sent when a wireless device experiences a low battery trouble/restore.

5/6 – Wireless Device Fault/Restore

These options are used to enable wireless device fault/restore reporting codes. This reporting code is sent when a wireless device experiences a supervisory fault.

[401] System Test Events

1/2 – Walk Test Start/End

Sent when installer walk test is initiated and terminated.

These reporting codes are in addition to the alarm reporting codes for the zones that are tripped during the walk test period.

3 - Periodic Test Transmission

Sent when the test transmission programmed in section [\[401\] System Test Events](#) occurs.

4 - Periodic Test Transmission with Trouble

Sent when any of the following trouble conditions are present during a periodic test transmission:

- Fire Zone Trouble
- Battery Trouble
- Fire Zone Alarm (2-Wire Smoke)
- Aux Trouble
- Fire Trouble
- Bell Trouble
- Fire Tamper/Low Sensitivity (Wireless)
- Module Supervisory
- Fire Zones Bypassed
- Ground Fault
- Fire Supervisory (Wireless)
- TLM Trouble
- AC Trouble
- FTC Trouble

This reporting code is sent in place of the standard Periodic Test Transmission code.

5 - System Test

Sent when a manual system test is performed ([*][6][Master Code][04]).

System Communications

The programming options in this section are used to configure communications between the alarm system and the central station.

[309] System Call Direction

Use this programming option to select the central station receivers that system events are communicated to. A system event can be sent to multiple receivers.

[001] Maintenance Events/Restores (all troubles except tampers)

These options control which receiver paths are enabled for maintenance events. To assign a maintenance event to a receiver, select from the following list:

[01] Receiver 1

[02] Receiver 2

[03] Receiver 3

[04] Receiver 4

[002] Test Transmissions

These options control which receiver paths are enabled for test transmission events. To assign a test transmission event to a receiver, select from the following list:

[01] Receiver 1

[02] Receiver 2

[03] Receiver 3

[04] Receiver 4

[310] Account Codes

These programming sections are used to set the system and partition account codes.

[000] System Account Code

The system account code is used to identify the alarm system when communicating system events to the central station. The system account code can be either 4 or 6 digits long. 4 or 6 digit account codes are selected with [383] option 2. Program a 6-digit code only when using the SIA reporting format. SIA uses this account code for all partitions and system events. All other reporting formats use a 4-digit system account code to report system maintenance (e.g., low battery, zone fault) and test transmission events. To program a 4-digit code, add FF to the last two digits.

[001]-[032] Partition Account Codes

Use these sections to program account codes for each partition.

When using formats other than SIA, these account codes identify the alarm system to the central station when communicating partition-specific events.

❶ **Note:** The system will not communicate if the account code is not programmed. When this condition occurs, Account Code Not Programmed is briefly displayed on the keypad when exiting Installer Programming mode.

❷ **Note:** If no phone numbers are programmed, the error message does not occur.

[311]-[332] Partition Call Directions

Use this programming option to select the central station receivers that partition events are communicated to. Call directions can be programmed for each partition. Each event can be sent to one of four receivers.

[001] Alarm/ Restore

These options control which receiver paths are enabled for Partition 1-32 Alarm and Restore event reporting codes.

To assign an event to a receiver, select one of the following options:

[01] Receiver 1

[02] Receiver 2

[03] Receiver 3

[04] Receiver 4

[002] Tamper (Including System Tamper)/ Restore

These options control which receiver paths are enabled for Partition 1-32 Tamper and Restore event reporting codes.

To assign an event to a receiver, select one of the following options:

[01] Receiver 1

[02] Receiver 2

[03] Receiver 3

[04] Receiver 4

[003] Openings/ Closing

These options control which receiver paths are enabled for Partition 1-32 Opening and Closing event reporting codes. To assign an event to a receiver, select one of the following options:

[01] Receiver 1

[02] Receiver 2

[03] Receiver 3

[04] Receiver 4

[350] Communicator Formats

Use this programming option to assign a communicator format to each of the four receivers programmed in section [301]. The available communicator formats are as follows:

Programming option	Communicator format
03	DTMF Contact ID
04	SIA FSK

To assign a communications format, select a receiver (option [001]-[004]) then enter the 2-digit code corresponding to the chosen format. For detailed descriptions of each format, see [Reporting codes](#).

[377] Communication Variables

[001] – Swinger Shutdown

Alarms/Restores

This value defines the number of communication attempts made for alarm/restore events, per zone, before the zone goes into swinger shutdown. Valid entries are 000 to 014. For CP-01, entries are from 001-006.

Once the programmed number of alarm/restore events have been communicated, no further alarm/restore events for the zone are communicated until swinger shutdown is reset. The last restore event is not communicated until swinger is cleared. For example, if the swinger shutdown

limit for zone alarms is set to [003], the cycle is as follows: alarm/restore, alarm/restore, alarm...8 hours or arm/disarm...restore.

The bell output is not activated for alarms on zones that have exceeded the swinger shutdown counter limit. Swinger shutdown on global zones log once to the system area.

- ① **Note:** CP-01 Swinger shutdown resets on all partitions when any partition on the system is armed or disarmed, or every day at midnight. For CP-01, swinger shutdown is restored after 8 hours of inactivity.

Once reset, the alarm system communicates normally.

- ① **Note:** The event buffer can follow swinger shutdown if enabled.

Tampers/Restores

This value defines the number of times the same system tamper event occurs before going into swinger shutdown. Valid entries are 000 to 014.

Maintenance Troubles/Restores

This value defines the number of times the same system Maintenance (trouble) type event occurs before going into swinger shutdown. Fire troubles follow the Maintenance Swinger Shutdown variable.

[002] – Communication Delays

Transmission Delay (seconds)

This value defines the delay before an alarm is transmitted.

The delay is for zones which have the Transmission Delay attribute enabled. Valid entries are from 000 to 255 seconds (0-45 seconds for CP-01). Each partition shares the same active timer. If the delay is already active due to an alarm on a different partition, any new activity on another partition does not restart the communications delay timer.

Burglary verified events are postponed until after the transmission delay expires. When a valid disarming procedure is used while the transmission delay is active, a communications canceled message is briefly displayed on the keypad when the delay is canceled.

- ① **Note:** NA For UL/ULC listed installations, the entry delay plus communication delay cannot exceed 45 seconds.

AC Failure Communication Delay (minutes or hours)

This value determines the delay before an AC failure or AC restore is reported. The AC failure or restore is still displayed immediately. Valid entries are from 000 to 255 minutes/hours (max. 180 minutes for UL commercial installations). Selection of minutes or hours for the delay is set in section [\[382\] Communicator Option 3](#).

- ① **Note:** If AC Failure Communications Delay is programmed as 000, the AC Failure Trouble reporting code is sent immediately.

- ① **Note:** ULC For ULC commercial fire monitoring, the setting shall be 180 minutes.

TLM Trouble Delay

Use this section to program the number of valid checks (3 second intervals) required before a telephone line trouble is generated. Valid entries are 000-255 for trouble annunciation and transmission delays of 3 to 765 Seconds (12.75 Minutes).

Wireless Zone Low Battery Transmission Delay (in days)

When a zone reports a low battery condition, the trouble is indicated immediately on the keypad, but the transmission to the monitoring station is delayed by the number of days programmed in

this section. If the low battery condition is not corrected before the delay expires, the low battery condition is transmitted. The Low Battery Restore transmission is not delayed.

Delinquency Transmission Delay

The value in this section determines the period of time before a delinquency event is generated.

Delinquency delay is measured in days if using closing delinquency or hours if using activity delinquency as programmed in section [311] option 6. Valid entries are [001]-[255] or [000] to disable.

Communications Cancel Window

After the transmission Delay expires and a zone alarm is transmitted, the communications cancel window begins.

If an access code is entered during this window, a reporting code is communicated and logged. If the window expires without an access code entry or a code is entered after the window, the communications canceled event is not logged or communicated.

Note: The cancel window does not start after an [F][M][P] key alarm.

[003] – Periodic Test Transmission Cycle

This value determines the period between test transmissions. Valid entries are [000]-[255]. Whether this interval is in hours or days is determined by section [022], option 4.

Note: For UL/ULC installations, the test interval depends on the type of application. For setting the correct values, refer to [Regulatory approvals](#).

[004] – Periodic Test Transmission Time of Day

Enter a 4-digit time using the 24-hour clock format (HH:MM).

Valid entries are from 00 to 23 for the hours (HH) and 00 to 59 for the minutes (MM).

To disable the test transmission time of day, enter [9999] in this section.

Note: This time should not be set for the same time as Day Light Savings time.

[011] – Maximum Dialing Attempts

This section is used to program the number of dialing attempts made to each telephone number when communicating. Valid entries are 001-005.

Note: For UL/ULC listed installations, this value must be set to 005.

[012] – Delay Between PSTN Attempts

This programmable timer adds a delay before the next call is attempted over PSTN. Valid entries are 000-255, with a default of 3 seconds (making a total of 8 seconds: 3-second delay + standard 5-second dial tone search).

[013] – Delay Between Force Attempts

This programming option is used to set the length of time the alarm system waits between the first dialing attempt and the force dial attempt.

Valid Entries are 001-255 seconds. Default is 020.

[014] – Post Dial Wait for Handshake

This option is used to program the length of time the communicator waits for a valid initial handshake from the receiver after dialing the programmed telephone number. Valid entries are 001 to 255 seconds.

Note: Maximum 45 seconds for UL installations.

[015] – IP Wait for Ack

This option is used to program the length of time the communicator waits for an acknowledge after transmitting via IP/GS. Valid entries are 001 to 255. Default is 60 seconds.

[016] –IP/Cellular Fault Check Timer

This section is used to program the number of poll commands sent without valid poll responses before the alarm system generates a trouble condition. The checks occur at 3-second intervals.

Valid entries are 003-255 for trouble annunciation and transmission.

The trouble restore is not delayed.

[380] Communicator Option 1

1 - Communications Enabled/Disabled

ON: (Default) The system communicator is enabled and all events with reporting codes are reported to the monitoring station. Refer to the Telephone Number, Reporting Code and Call Direction programming sections.

OFF: The system communicator is disabled and no events are reported to the monitoring station.

ⓘ **Note:** Disabling the communicator clears all FTC troubles.

2 - Restore On Bell Timeout

ON: Zone restore reporting codes are not transmitted until the zone has been restored and the bell timeout has expired. If the zone is not restored when the bell cut-off time expires, the restore is transmitted when the zone physically restores or when the system is disarmed.

ⓘ **Note:** 24-hour zones will not restore until the zone is physically restored

OFF: Zone restore reporting codes are transmitted when the zone is physically restored. If zones are still active when the system is disarmed, the restore codes are transmitted when the system is disarmed.

3 - Pulse Dialing

ON: The alarm system dials telephone numbers using pulse (rotary) dialing.

OFF: The alarm system dials telephone numbers using DTMF (dual tone multi-frequency) touch-tone dialing.

4 - Pulse Dial after 5th Attempt

ON: If DTMF dialing is enabled, the alarm system dials telephone numbers using DTMF dialing for the first 4 attempts. If unsuccessful, the alarm system switches to pulse (rotary) dialing for the remaining attempts.

OFF: If DTMF dialing is enabled, the alarm system dials telephone numbers using DTMF dialing for all dialing attempts.

5 - Parallel Communications

ON: Parallel communications is enabled. The alarm system attempts to communicate through all available receiver paths (PSTN and IP (IP=Ethernet or Cellular) at the same time. Once acknowledgment is provided by any of the receivers, the alarm system communicates the next event. If more than one receiver is configured for PSTN, the backup procedure described below is followed.

OFF: Parallel communications is disabled. If receiver 1 fails, the alarm system attempts to communicate with the next available receiver (2-4) in sequence.

ⓘ **Note:** When Parallel Communications is enabled it will override Communicator Backup Options, see [\[384\] Communicator Backup Options](#) for communicator backup programming.

6 - Alternate Dial

ON: After each failed dialing attempt, the communicator switches to the next backup receiver in the sequence:

- Receiver 2 backs up Receiver 1
- Receiver 3 backs up Receiver 2
- Receiver 4 backs up Receiver 3

This continues until communication is successful or the sequence has been repeated 5 times (depending on the number of maximum dialing attempts). If all 5 attempts fail, an FTC trouble for the primary phone number is logged. All backup receivers automatically use the same call directions and format as the primary receiver.

OFF: After 5 failed attempts to communicate with the primary receiver, the communicator switches to the next backup receiver in the sequence and makes up to 5 more attempts. This continues until communication is successful or until all backup receivers fail, at which point an FTC trouble for the primary number is logged.

7 - Reduced Dialing Attempts

ON: If a TLM trouble is present, The alarm system immediately attempts to call the backup receiver. This option only applies to PSTN. Backup communications must be enabled. See option 5, Parallel Communications.

A minimum of two receivers should be enabled for this feature to operate as intended. This feature should not be enabled unless the panel is programmed to use backup communication paths.

OFF: If a TLM trouble is present, the number of dialing attempts programmed shall be attempted before moving on to the backup receiver.

8 - Activity Delinquency

ON: Inactivity on a partition for a programmed duration (section [377] option 002, Delinquency Transmission Delay) transmits a Delinquency code to the central station. This option is designed to help monitor the elderly or disabled. The counter is reset if zone activity is detected or if the system is armed. The Delinquency Transmission Delay is in hours.

❶ **Note:** Delinquency code is not transmitted while Away armed. Activity on bypassed zones does not affect this timer.

OFF: The Delinquency reporting code is sent when the programmed number of days for delinquency (section [377]) expires without the partition being Armed. Once the code is sent, the timer is not started again until the partition has been armed. Each day programmed in the counter represents one day plus the time it takes for the partition to reach midnight. To disable this feature, program 000 in section [377]>[002] option 5.

[381] Communicator Option 2

1 - Keypad Ringback

ON: When the Opening After Alarm reporting code is successfully transmitted to a programmed telephone number, the keypad emits a series of 8 beeps to confirm to the occupant that the code was sent and received. Ringback occurs for each successfully reported Opening After Alarm code.

OFF: When the Opening After Alarm reporting code is successfully transmitted to a programmed telephone number, the keypad does not sound ringback.

2 - Bell Ringback

ON: When the Opening After Alarm reporting code is successfully transmitted to a programmed telephone number, the siren emits a series of 6 squawks to confirm to the occupant that the code was sent and received. Ringback occurs for each successfully reported Opening After Alarm code.

OFF: When the Opening After Alarm reporting code is successfully transmitted to a programmed telephone number, the siren does not sound ringback.

4 - Closing Confirmation Enabled/Disabled

ON: When a Closing reporting code is successfully transmitted to a programmed telephone number, the keypad emits a series of 8 beeps to confirm to the occupant that the Closing Code was sent and received.

OFF: No keypad ringback is generated when a Closing reporting code is successfully transmitted.

8 - Communications Priority Enabled/Disabled

ON: Events follow the priority level indicated in ULC-S559 standard.

Concurrent event communications are prioritized in the following order (highest to lowest priority):

1. Fire Alarms
2. CO Alarm
3. Fire Supervisories
4. Fire Trouble
5. Monitoring (Medical, Panic or Security)
6. All others such as restorals for fire alarms, supervisories, troubles and monitoring.

OFF: Events are communicated in the order they occur.

ⓘ **Note:**  Must be ON for ULC commercial fire monitoring listed installations.

[382] Communicator Option 3

1 - Reserved

2 - Walk Test Communications

ON: Zone alarms that occur during Walk Test are communicated if programmed to do so.

OFF: Zone alarms during Walk Test are not communicated. FMP key alarms are still communicated.

4 - Call Waiting Cancel

ON: The call waiting cancel string (see [304] [Call Waiting Cancel String](#)) is used on the first attempt to dial each phone number. It is not used on any further dialing attempts.

OFF: The call waiting cancel string is not dialed.

5 - Interactive Communicator Enable/Disable

ON: The system communicates using the Alarm.com communicator. All related programming options, reporting, and supervision are enabled when programmed via PC-Link2.

OFF: The Alarm.com communicator and all associated programming functionality are disabled.

6 - AC Failure Communication Delay in Hours/Minutes

ON: The AC failure communication delay (section [377]>[002] option 2) is programmed in hours.

OFF: The AC failure communication delay is programmed in minutes.

8 - Tamper Limit

ON: When disarmed, the system only communicates module tampers. Zone tampers are not communicated.

OFF: When disarmed, the system communicates all tampers.

[383] Communicator Option 4

1 - Phone Number Account Code

ON: The account code communicated to the central station follows the phone number the event is programmed to communicate on (programmed in section [310] [Account Codes](#)):

- Receiver 1 all events will follow partition 1 account code
- Receiver 2 all events will follow partition 2 account code
- Receiver 3 all events will follow partition 3 account code
- Receiver 4 all events will follow partition 4 account code

OFF: Events follow the account code assigned to each partition when communicating.

❶ **Note:** This feature only works with CID

2 - 4 or 6-Digit System Account Code

ON: The programmable account code in section [310][000] is 6 digits long (used for SIA format).

OFF: The programmable account code in section [310][000] is 4 digits long.

3 - Ethernet Enable

ON: Enables the on-board ethernet.

OFF: Disables the on-board ethernet.

4 - Cellular Enable

ON: Enables the plug-in communicator module.

OFF: Disables the plug-in communicator module.

5 - Communicate FTC Events

ON: The alarm system communicates FTC (failure to communicate) events. The FTC Trouble/Restore reporting code transmission follows the call direction the events are assigned to.

OFF: FTC events are not communicated. FTC Trouble/Restore reporting codes are communicated to the Maintenance call direction group after the next successful communication.

[384] Communicator Backup Options

2 - Receiver 2 Backup Option

ON: Receiver 2 backs up Receiver 1. Receiver 2 is only used if an FTC event is detected on Receiver 1. Receiver 2 uses the same format programmed for Receiver 1.

OFF: Receiver 2 is independent and will communicate if a number and format are programmed.

3 - Receiver 3 Backup Option

ON: Receiver 3 backs up Receiver 2. Receiver 3 is only used if an FTC event is detected on Receiver 2. Receiver 3 uses the same format programmed for Receiver 2.

OFF: Receiver 3 is independent and will communicate if a number and format are programmed.

4 - Receiver 4 Backup Option

ON: Receiver 4 backs up Receiver 3. Receiver 4 is only used if an FTC event is detected on Receiver 3. Receiver 4 uses the same format programmed for Receiver 3.

OFF: Receiver 4 is independent and will communicate if a number and format are programmed.

[385] Audio Module Talk\Listen Mask

1- Talk/Listen on Receiver 1

ON: 2-way audio sessions can be initiated over receiver 1.

OFF: Regardless of other 2-way audio programming, 2-way audio sessions cannot be initiated over receiver 1.

2- Talk/Listen on Receiver 2

ON: 2-way audio sessions can be initiated over receiver 2.

OFF: Regardless of other 2-way audio programming, 2-way audio sessions cannot be initiated over receiver 2.

3-Talk/Listen on Receiver 3

ON: 2-way audio sessions can be initiated over receiver 3.

OFF: Regardless of other 2-way audio programming, 2-way audio sessions cannot be initiated over receiver 3.

4-Talk/Listen on Receiver 4

ON: 2-way audio sessions can be initiated over receiver 4.

OFF: Regardless of other 2-way audio programming, 2-way audio sessions cannot be initiated over receiver 4.

DLS Programming

Downloading allows programming of the entire alarm system via a computer. All functions and features, changes and status, such as trouble conditions and open zones, can be viewed or programmed by downloading.

The following downloading options are available:

- 6-hour window on start up: When the alarm system is powered up, downloading access is available for 6 hours. This provides the option of downloading without having to complete any keypad programming.
- Double call method: The installer initiates a downloading window by calling the alarm system, hanging up, then calling back again.
- User enabled DLS window: The user initiates a downloading window using [*][6][Master code][05]. This can be a 6-hour window where the installer initiates and terminates downloading as many times as necessary, or it can be a 1-hour, 1 use window.
- User initiated call-up: the user can initiate a downloading session using [*][6][Master Code][06].
- On-site downloading using USB: The installer connects a computer directly to the alarm system to perform on-site downloading.
- Auto event buffer upload: The Event buffer is automatically uploaded to the DLS/SA computer when it reaches 75% full.

Refer to the DLS/SA programming sections described below for configuration options.

[401] DLS/SA Options

1 - Double Call

ON: Calls for downloading or SA are answered if a successful double call routine is detected. Have the downloading computer call the system and let the telephone line ring once or twice. After 1 or

2 rings, hang up. If called back within the duration of the double call timer (section [405]), the alarm system answers on the first ring.

OFF : Incoming calls are not answered using the double call routine unless the user enables the DLS window.

① **Note:** This feature controls the DLS window for PSTN connections only.

2 - User Enables/Disables DLS

ON : The [*][6][Master Code][05] command enables a 6-hour window where, on power-up, downloading calls are answered if a successful double call routine is detected.

OFF: The user cannot enable a downloading window.

3 - DLS CallBack

ON : When a downloading call is answered, both the computer and the alarm system hang up. The alarm system then calls the downloading computer back using the [402] downloading telephone number and begins the DLS session.

① **Note:** Disable this option if using more than one downloading computer.

OFF : After successful validation, the downloading computer gains immediate access to the alarm system.

4 - User Call-Up

ON : A single call attempt can be made to the downloading computer using [*][6][Master Code][06].

OFF: [*][6][Master Code][06] does not allow initiation of a downloading session.

6 - Panel Call-Up and Baud Rate

ON : When a DLS/SA session is initiated by the user, the initial header is sent at 300 baud.

OFF: When a DLS/SA session is initiated by the user, the initial header is sent at 110 baud. The alarm system will then switch to 300 baud in order to receive the response from the DLS computer.

7 - Alternate Communicator DLS

ON: When this feature is enabled, the alarm system responds to DLS requests through the alternate communicator IP or cellular paths at any time, regardless of whether the DLS window is active or not.

However, if a pre-defined number of consecutive incorrect DLS access codes is detected (see [Remote Lockout DLS](#)) while trying to establish a connection, alternate communicator DLS access is locked out until the next hour roll-over.

OFF: When this feature is disabled, the alarm system only responds to DLS requests through the alternate communicator IP or cellular paths when the DLS window is active.

The DLS/SA window is active following a power up or if enabled using [*][6][maser code][05] (System Service/DLS).

① **Note:** This option controls DLS over alternate communicator only.

[402] PSTN DLS Phone Number Programming

This section is used to program the telephone number for DLS downloading over PSTN. This phone number is used for User Call Up, Periodic DLS and DLS Call back. If no phone number is programmed, the system attempts to use the alternate communicator IP path (if configured).

The maximum number length is 32 digits.

[403] DLS Access Code

This 6-digit hexadecimal code allows the alarm system to confirm the identity of the downloading computer.

If the code does not match the computer, the alarm system does not allow DLS access.

Once a DLS connection is established, the operator is allowed three attempts to enter the correct access code. If these attempts are unsuccessful, the alarm system disconnects and a new attempt must be made.

If cellular or IP paths are used for the DLS connection, a pre-programmed number of unsuccessful attempts causes a 1-hour DLS lockout. Number of attempts is programmed in section [012].

[404] DLS/SA Panel ID

This 12-digit hexadecimal code identifies the alarm system to the downloading computer.

[405] PSTN Double Call Timer

Use this section to program the amount of time that can elapse between the first and second call when using Double Call downloading. Valid entries are 001 to 255 (seconds).

[406] PSTN Number of Rings to Answer On

The value in this section determines how many rings are required in order to establish a DLS connection. When set to 000 (default) this feature is disabled.. Valid entries are [000]-[020].

- ① **Note:** If Double-Call option and Number of Rings to Answer are enabled, either one will work depending on how the installer calls the alarm system.

[407] SA Access Code

This 6-digit hexadecimal code allows the alarm system to confirm the identity of the downloading computer.

If the code does not match the computer, the alarm system does not allow uploading/downloading.

Programming the access code as FFFFFFFF disables SA access.

Once an SA connection is established, multiple attempts to input the correct downloading access code (programmed in [012]) is allowed.

The operator is allowed three attempts to enter the correct access code. If these attempts are unsuccessful, the alarm system disconnects and a new attempt must be made.

If cellular or IP paths are used for the SA connection, up to five unsuccessful attempts causes a 1-hour SA lockout (see [Remote Lockout DLS](#)).

[410] Automatic DLS/SA Options

[001] – Auto DLS Options

1 - Periodic DLS

ON: Upload/download commands programmed in advance (batch files) are periodically downloaded to the DLS computer.

See below to program the times and days when this occurs.

- ① **Note:** The computer must be waiting for a call in order for this feature to work.

OFF: The alarm system does not periodically call the downloading computer.

3 - DLS on Event Buffer %75 Full

ON: The alarm system automatically calls the downloading computer with DLS when the Event Buffer 75% full event occurs.

This option is independent of the actual transmission of the Event Buffer 75% full event (the event does not need to be transmitted for the panel to perform the automatic upload).

The panel first communicates the Event Buffer 75% full event (if enabled) using either PSTN or IP and then performs the automatic download.

OFF: The alarm system does not automatically call the downloading computer when the Event Buffer 75% full event occurs.

8 - DLS on Programming Change

ON: When the panel returns to the "Ready to Arm" screen after a programming change, 15 minutes later the alarm system automatically connects to the downloading computer.

OFF: The alarm system does not automatically call the downloading computer when the system programming changes.

[002] Periodic DLS Days

This section is used to program the number of days between periodic DLS downloads. Valid entries are from 001 to 255 days.

[003] Periodic DLS Time

This section is used to program the time of day periodic DLS download takes place. Time is in 24-hour format and the default is 00:00 (midnight).

[007] Delay Call Window

The delay call window is the upper and lower limits of a random time the panel may initiate a call up to a remote computer. This feature shall be applied to Periodic DLS Days. When a value is entered in this section, the setting in Periodic DLS Time (see the option above) is overridden. When 00:00 is entered in this field, the alarm system initiates a DLS call at the time programmed in Periodic DLS Time. Start and end times must be defined using 24-hour format (e.g., 13:30) and cannot span a day (e.g., start time of 23:00 and an end time of 01:00).

Virtual Inputs

When using a third party integration, virtual zones can be mapped to configured system zones.

[560][001]-[032]

Assign corresponding 3 digit zone number to virtual input and then the virtual input can be controlled by a third party integration.

Schedule Programming

The sections described below are used for programming scheduled operating times for PGM command outputs 1-4.

[601]-[604] Programming Schedule 1-4

These sections are used to define schedules for PGM command outputs 1-4 operation. When a PGM is configured for timed output operation, it activates at the programmed start time and will turn off after the programmed duration. For example, 5 seconds.

Each schedule contains 4 intervals, for Command Outputs 1-4. Within each interval, a start time and end time can be programmed for each day of the week. Holiday schedules 1-4 can also be selected. To enable the command output to follow a schedule, program the command output in section [009] and then enter schedule 001 - 004 in section [011].

[101]-[102] Set Start Time/ End Time

Used to program the time of day the schedule interval begins and ends. (HH:MM). Valid entries are 0000-2359 and 9999. The end time must be equal to or greater than the start time. 9999 is used when an interval needs to extend past 24 hours. To do this, program the start time of the first

interval then the end time with 9999. Program the start time of the second interval as 9999 and the end time with the desired time when the output should deactivate. Select the day of the week the schedule will end.

- ① **Note:** If two intervals in a schedule are programmed with the same start time, the schedule follows the interval with the longest end time.

[103] Days Assignment

Used to program the day of the week that the schedule interval starts and ends. Use the scroll keys to select a day then toggle the option on. Multiple days of the week can be enabled.

[104] Holiday Assignment

Program PGMs to follow holiday schedule group 1-4. Select (Y) to enable. If all days of the week for an interval are disabled (N), the schedule activates on the enabled holidays.

[711]-[714] Holiday Schedules

Use this section to program holiday schedules. During holiday schedules, other scheduled events do not occur. Enter section 711 to 714 for holiday group 1 to 4.

Each of the four available holiday groups can have up to 99 holiday schedules programmed.

[001]-[099] Holiday Dates 1-99

Program holiday dates in the following format: MMDDYY

MM valid entries are 01 to 12

DD valid entries are 01 to 31

YY valid entries are 00 to 99

[802] Audio Verification Module Programming

This module provides 2-way audio communication between the central station and the occupants of the premises.

- ① **Note:** For complete programming descriptions and worksheets, see the HSM2955 Audio Verification module installation manual.

Wireless Programming

[804] Wireless Programming

This programming section is used to enroll, program and delete wireless devices. Note that the HSM2HOSTx wireless transceiver or RF model keypad must be installed in order to enroll wireless devices.

- ① **Note:** Refer to the HSM2HOST installation manual for information.

Communicator Programming

[850] Cellular Signal Strength

Use this section to view both the cellular signal strength and the radio technology in use.

Table 37: Cellular Technology

Display	Technology
GP	GPRS
ED	EDGE
HS	HSPA
H+	HSPA

Table 37: Cellular Technology

Display	Technology
CD	CDMA
EV	EVDO
LT	LTE

5 bars indicate maximum signal strength. 0 bars indicate the communicator is not connected to the network.

[851] Alternate Communicator Programming

The programming sections described in this document can be viewed at the keypad. To start programming, enter [*] [8][installer code] [851] [section number], where section number is the 3-digit section number referenced in this section. Installers may review/record programming options at the panel keypad.

System Options

[001] Ethernet IP Address

Default (000.000.000.000)

Enter the IP address of the communicator. Ensure that the IP address is unique to the communicator on the local network.

Format is 4 fields, each field is a 3 digit decimal number. Valid range: 000-255. If an IP address is programmed in this section, the unit operates with static IP (DHCP disabled). Sections [002] and [003] must also be programmed when using static IP addresses.

- ① **Note:** Default for this section is Dynamic Host Configuration Protocol (DHCP) enabled. When enabled, the DHCP server sets values for: IP address [001], subnet mask [002] and gateway [003]. Programming an IP address in this section disables DHCP (Static IP).

[002] Ethernet IP Subnet Mask

Default (255.255.255.000)

Enter the Ethernet IP subnet mask of the communicator. Format is 4 fields, each field is 3 digits. Valid range: 000-255.

- ① **Note:** If DHCP is enabled, the DHCP server assigns the subnet mask for this section and the programmed value is ignored.

[003] Ethernet Gateway IP Address

Default (000.000.000.000)

Enter the Ethernet gateway IP address of the communicator. The gateway IP address is required when a router is used on the local network to reach the destination IP address specified in section [001]. Format is 4 fields, each field is a 3-digit decimal number.

Valid range: 000-255.

- ① **Note:** If DHCP is enabled, the DHCP server assigns the gateway IP address for this section and the programmed value will be ignored.

[004] Receiver Supervision Interval

Default (135)

When receiver supervision is enabled (ON) in section [005] toggle option [3], the unit sends heartbeats to Ethernet receiver 1 or cellular receiver 1 to test the communications path. Use this section to set the interval time (in seconds) when heartbeats are sent to the receivers. Valid range 00000-65535 seconds. If the programmed value is less than 10 seconds, supervision is disabled.

[005] System Toggle Options

[1] Ethernet Receiver 1 Supervised Default (OFF)

ON: Ethernet receiver 1 is supervised and heartbeats are sent to Ethernet receiver 1 based on the supervision interval programmed in section [004].

OFF: Ethernet receiver 1 is not supervised. When disabled, heartbeat 1 is sent to the Ethernet receiver once every hour, regardless of supervision type (heartbeat 1 or 2). The heartbeat is resent every 5 seconds until ACK is received. If no event or heartbeat ACK is received after (receiver supervision interval + 75 seconds), supervisory trouble is indicated.

ⓘ **Note:** Ethernet receiver 2 can not be supervised.

[2] Cellular Receiver 1 Supervised Default (OFF)

ON: Cellular receiver 1 is supervised and heartbeats are sent to cellular receiver 1 based on the supervision interval programmed in section [004]. If ACK to heartbeat is not received, it is retransmitted every 5 seconds. Failure to ACK two consecutive heartbeats resets the radio.

OFF: Cellular receiver 1 is not supervised. When disabled, heartbeat is not sent to the receiver. Supervisory trouble is indicated.

ⓘ **Note:** Cellular receiver 2 can not be supervised.

[3] Supervision Type Default (OFF)

ON: Heartbeat 1 (commercial supervision). This supervision type is suitable for applications where swap detection is required on the supervisory packet.

OFF: Heartbeat 2 (residential supervision). This supervision type is suitable for applications where supervision of the communication path to the receiver is required (no swap detection).

ⓘ **Note:** Commercial supervision is more data intensive than residential supervision and should only be used when required to meet the approval for the installation.

[4] Primary Path Default (OFF)

ON: Cellular channel is the primary path. Ethernet channel is the secondary path.

OFF: Ethernet channel is the primary path in a dual communicator. Cellular channel is the secondary path.

[6] Remote Firmware Upgrade Default (ON)

ON: The control panel firmware can be remotely upgraded using the Ethernet/cellular paths.

OFF: The control panel firmware can not be remotely upgraded. Local firmware upgrade is still possible.

[7] Alternate Test Transmissions Default (OFF).

ON: When the periodic test transmission interval occurs, the test transmission alternates between being sent to the primary and secondary receivers with each test transmission interval.

OFF: When the periodic test transmission interval occurs, the test transmission is sent to the programmed receivers, based on the settings of the periodic test transmission reporting codes.

[8] Cellular Low Signal Trouble. Default (OFF)

This option masks the low signal trouble from generating cellular trouble.

ON: A cellular trouble event is generated when the radio signal level falls below threshold level (average CSQ level is 4 or less).

OFF: A cellular trouble event is not generated when the radio signal level falls below threshold level (average CSQ level is 4 or less).

[006] System Toggle Options 2

[1] Ethernet 1 receiver enabled. Default (ON)

ON: Ethernet receiver 1 is enabled.

OFF: Ethernet receiver 1 is disabled.

[2] Ethernet receiver 2 is enabled. Default (ON)

ON: Ethernet receiver 2 is enabled.

OFF: Ethernet receiver 2 is disabled.

[3] Reserved

[4] Cellular receiver 3 is enabled. Default (ON)

ON: Cellular receiver 3 is enabled.

OFF: Cellular receiver 3 is disabled.

[5] Cellular receiver 4 is enabled. Default (ON)

ON: Cellular receiver 4 is enabled.

OFF: Cellular receiver 4 is disabled.

[6] Reserved

[7] DLS Over Cellular. Default (ON).

ON: DLS is enabled on the cellular path.

OFF: DLS is disabled on the cellular path.

① **Note:** Program this toggle as OFF to prevent DLS from using the cellular path.

① **Note:** If this toggle is OFF, DLS sessions will occur on the Ethernet path only, regardless of the primary path set in section [005] toggle option [4]. If it is ON, the communicator will connect to the primary path first for DLS and if the session fails, the secondary path will be used.

[8] Network Trouble Suppression. Default (OFF).

ON: Cellular/Ethernet Supervisory troubles and restore signals follow delay timer as programmed in section [226].

OFF: Cellular/Ethernet Supervisory troubles and restore signals are sent immediately.

[007] DNS Server IP 1

Default (000.000.000.000)

Enter the IP address for DNS server 1. Format is 4 fields, each field is a 3-digit decimal. Valid range: 000-255.

① **Note:** If no value is programmed and DHCP is used, the DHCP server will configure the address. If an address is programmed and DHCP is used, the programmed address will be used instead of the DHCP address.

[008] DNS Server IP 2

Default (000.000.000.000)

Enter the IP address for DNS server 2. Format is 4 fields, each field is a 3-digit decimal. Valid range: 000-255.

① **Note:** If no value is programmed and DHCP is used, the DHCP server will assign this value. If an address is programmed and DHCP is used, the programmed address will be used instead of the DHCP address.

Programming Options

[010] System Toggle Options 3

[1] 2-Way Audio Over Cellular. Default (OFF)

ON: 2-Way Audio Over Cellular is enabled.

OFF: 2-Way Audio Over Cellular is disabled.

[2] Visual verification. Default (OFF)

ON: Visual verification is enabled.

OFF: Visual verification is disabled.

[3] Video On Demand. Default (OFF)

ON: Video On Demand is enabled.

OFF: Video On Demand is disabled.

- ① **Note:** You can use panel programming section [851][010][3] Video on Demand to enable heartbeat polling for Video On Demand from the SurGard receiver. It is not related to Video on Demand over ITv2. Fibro events hold priority over ITv2 Video on Demand, so you can delay ITv2 VoD events until Fibro events are complete. Images you request using Video on Demand using ITv2 are sent only to specific ITv2 sessions and are not broadcast. No images that you request using ITv2 transmit to receivers.

[4] Receiver Group. Default (OFF)

ON: Receiver Group is enabled.

OFF: Receiver Group is disabled.

[5] Video On Demand in Alarm. Default (OFF)

ON: Video On Demand is possible only in an alarm condition.

OFF: Video On Demand is possible in alarm and non-alarm conditions.

[6] Video On Demand in Away Arm. Default (ON)

ON: Video On Demand is possible only when the system is away armed.

OFF: Video On Demand is possible in all conditions.

- ① **Note:** To enable or disable video on demand for a specific PIR camera, navigate to [804][xxx][011] option 5. The default value is Y (on). To enable or disable Video on demand for Cameras when the system is not Away Armed, navigate to [804][xxx][011] option 6. This allows the user to enable Video on demand on cameras when [851][010] Option 6 is enabled (Away Mode Only). If this toggle is enabled, the video on demand feature is enabled for zones even when the system is not in the away armed state. The VOD time window follows [804][841][002] - View Time Window and [804][841][003] - View Other Alarms.

[7] Reserved.

[8] Reserved.

[011] Communicator Installer Code

Default (CAFE)

A communicator installer code is required to program the communicator module. Valid range: 0000-FFFF.

[012] DLS Incoming Port

Default (03062)

The DLS incoming local port (listening port) is the port DLS IV uses when connecting to the communicator. If a router or gateway is used, it must be programmed with a transmission control protocol (TCP) port forward for this port to the communicator module IP address. Valid range: 00000 - 65535.

[013] DLS Outgoing Port

Default (03066)

The DLS outgoing port is used for outgoing sessions to DLS IV after an SMS request has been sent to the communicator. Use this section to set the value of the local outgoing port. The value must be changed if the communicator is located behind a firewall and must be assigned a particular port number, as determined by the network administrator. In most cases, changing the default value or configuring the firewall with this port is not required.

Valid range: 00000-65535.

- ① **Note:** If section [006] toggle option [7] is ON, DLS will use the primary path for session. If section [006] toggle option [7] is OFF, DLS will use the Ethernet path, if available.

[015] DLS Call-Up IP

Default (000.000.000.000)

[016] DLS Call-Up Port

Default (00000)

Valid range: 00000-65535.

[018] Receiver Group Pair

Use **Receiver Group Pair** to send visual verification signals to multiple central station receivers, or when the product is installed in ULC applications. The communicator retransmits signals to the individual receivers if there is a communications problem, and indicates an FTC on the control panel if there is an error in either of the communication paths. The system keypad displays **Receiver X FTC Trouble**.

You can assign any two receiver paths to the receiver group, but using Ethernet Receiver 1 and Cellular Receiver 1 in this configuration ensures a single point of failure does not disable both alarm reporting paths.

- ① **Note:** Enable **Receiver Group Pair** in section [851][010] option 4. Program auto-routing in section [300].

01 = Ethernet Receiver 1

02 = Ethernet Receiver 2

03 = Cellular Receiver 1

04 = Cellular Receiver 2

For example, an entry of **0103** means the receiver group includes Ethernet Receiver 1 and Cellular Receiver 1. An entry of **00** or **FF** denotes no receiver (disabled).

[020] Time Zone

Default (00)

Refer to section [024] 5 Real-Time Clock for more details. Use Column 2 (Offset Hours) to find the local Time Zone. Record the two digit HEX value from Column 1 (HEX Value) on the same row. Program this HEX value for the Time Zone. Valid range is 00 - FF.

Table 38: World Wide Time Zone

HEX Value	Offset Hours	Standard Abbreviation	Location
01	-12	BIT	Baker Island Time
05	-11	SST	Somoa Standard Time
09	-10	HAST	Hawaii-Aleutian Standard Time
0B	-9.5	MIT	Marquesas Island Time
0D	-9	AKST	Alaska Standard Time
11	-8	PST	Pacific Standard Time
15	-7	MST	Mountain Standard Time
19	-6	CST	Central Standard Time
1D	-5	EST	Eastern Standard Time
1F	-4.5	VST	Venezuela Standard Time
21	-4	AST	Atlantic Standard Time
23	-3.5	NST	Newfoundland Standard Time
25	-3	ART	Argentina Time
29	-2	BEST	Brazil Eastern Standard Time
2D	-1	CVT	Cape Verde Time
31	0	GMT	Greenwich Mean Time (UTC)
35	1	CET	Central European Time
39	2	SAST	South Africa Standard Time
3D	3	AST	Arabic Standard Time
3F	3.5	IRST	Iran Standard Time
41	4	GST	Gulf Standard Time
43	4.5	AFT	Afghanistan Time
45	5	PKT	Pakistan Time
47	5.5	IST	Indian Standard Time
48	5.75	NPT	Nepal Time
49	6	VOST	Vostok Time
4B	6.5	MMT	Myanmar Time
4D	7	BDT	Bangladesh Standard Time
51	8	CST	China Standard Time
52	8.25	APO	Apo Island Time
54	8.75	ACWST	Australian Central Western Standard Time
55	9	KST	Korea Standard Time
57	9.5	ACST	Australian Central Standard Time
59	10	AEST	Australian Eastern Standard Time
5B	10.5	LHST	Lord Howe Standard Time
5D	11	VUT	Vanuatu Time
5F	11.5	NFT	Norfolk Island Time
61	12	NZST	New Zealand Standard Time

Table 38: World Wide Time Zone

HEX Value	Offset Hours	Standard Abbreviation	Location
64	12.75	CHAST	Chatham Island Standard Time
65	13	TOT	Tonga Time
69	14	LINT	Line Island Time
70-FF	N/A	N/A	N/A

[025] Radio Activation Restore
Default (FF)

Program 00 to disable this event or FF to enable. This event occurs in North American cellular communicators when the unit has been programmed by Connect 24.

System Test Options

Test Transmissions to Primary Receiver, with Backup to Secondary Receiver:

Set Ethernet section [026] to (FF); [027] to (00). Set cellular section [028] to (FF); [029] to (00).

- If the test transmission fails to the primary receiver it will back up to the secondary receiver.
- If the test transmission fails to the secondary receiver an FTC trouble will be generated.

Test Transmission Unique to Primary and Secondary Receivers:

Set Ethernet section [026] to (FF); [027] to (FF). Set cellular section [028] to (FF); [029] to (FF).

- The module will send periodic test transmissions to each receiver independently, with no backups.
- If the test transmission fails to any of the programmed receivers, an FTC trouble will be generated.

Alternate Test Transmission:

Alternate test transmission are enabled or disabled in section [005] toggle option [7].

Alternate Test Transmission with Backup Receivers:

Set Ethernet section [026] to (FF); [027] to (00). Set cellular section [028] to (FF); [029] to (00).

Interval 1:

- If the test transmission fails to the primary receiver, it transmits to the secondary receiver.
- If the test transmission fails to the secondary receiver, an FTC trouble is generated.

Interval 2:

- If the test transmission fails to the secondary receiver, it transmits to the primary receiver.
- If the test transmission fails to the primary receiver, an FTC trouble is generated.

Test Transmission Unique to Primary and Secondary Receivers:

Set Ethernet section [026] to (FF); [027] to (FF). Set cellular section [028] to (FF); [029] to (FF).

Interval 1:

- The module sends periodic test transmissions to primary receivers (Ethernet primary and cellular primary) independently, with no backups.
- If the test transmission fails to any of the programmed primary receivers, an FTC trouble is generated.

Interval 2:

The module sends periodic test transmissions to secondary receivers (Ethernet secondary and cellular secondary) independently, with no backups.

- If the test transmission fails to any of the programmed secondary receivers, an FTC trouble is generated.

[026] Ethernet 1 Test Transmission

Default (FF)

Program 00 to disable this event transmission or FF to enable. See system test options for details on settings.

[027] Ethernet 2 Test Transmission

Default (00)

Program 00 to disable this event transmission or FF to enable. See system test options (previous page) for details on settings.

[028] Cellular Receiver 3 Test Transmission

Default (FF)

Program 00 to disable this event transmission or FF to enable. See system test options (previous page) for details on settings.

[029] Cellular Receiver 4 Test Transmission

Default (00)

Program 00 to disable this event transmission or FF to enable. See system test options (previous page) for details on settings.

- ① **Note:** The time interval (in minutes) between periodic tests is programmed in section [125] (Ethernet) and section [225] (cellular).

[030] FTC Restore

Default (FF)

Program 00 to disable this event transmission or FF to enable. This event will occur when an FTC Trouble on the system restores.

[095] SA Incoming Local Port

Default (03092)

Valid range: 00000 - 65535

[096] SA Outgoing Local Port

Default (03093)

Valid range: 00000 - 65535

Ethernet Receiver 1 Options

[101] Ethernet Receiver 1 Account Code

Default (0000000000)

The account code is used by the central station to distinguish between transmitters. This account code is used when transmitting heartbeat signals to the central station receiver. Signals received from the panel will use the control panel account number. Valid range: 0000000001-FFFFFFFFFE.

- ① **Note:** If Ethernet receiver 1 and cellular receiver 1 are programmed as the same receiver (IP and port number are identical), Ethernet receiver 1 account code will be used.

[102] Ethernet Receiver 1 DNIS

Default (000000)

The Dialed Number Information Service (DNIS) is used in addition to the account code to identify the communicator module at the central station. Valid range: 000000 - 099999. Value is entered as a leading 0 followed by the 5 digit DNIS. Format is Binary Coded Decimal (BCD).

❶ **Note:** Each Ethernet/cellular receiver must be programmed with a unique DNIS.

[103] Ethernet Receiver 1 Address

Default (127.000.000.001)

The default address enables the communicator to operate in Unattended Mode.

Unattended mode is used when a receiver is not available and the unit is required to perform DLS sessions. Typically used where the customer programs the control panel daily due to access control and still wants to receive alarms without buying extra hardware (receiver) or software.

❶ **Note:** When a valid IP address has been programmed, Ethernet receiver 1 is enabled and will communicate events over the Ethernet channel.

Ethernet receiver 1 and cellular receiver 1 may be configured to communicate to the same central station receiver. To configure the device to operate using this common receiver mode functionality, program Ethernet receiver 1 and cellular receiver 1, IP address and port number with identical values.

❶ **Note:** When operating in common receiver mode, Ethernet receiver 1 account code will be used for Ethernet and cellular.

[104] Ethernet Receiver 1 UDP Remote Port

Default (03061)

This Section determines the UDP remote port of Ethernet receiver 1. Valid range: 00000 - 65535.

[105] Ethernet Receiver 1 UDP Local Port

Default (03060)

Use this section to set the value of the UDP local outgoing port. Set the value of this port when the installation is located behind a firewall and must be assigned a particular port number as determined by the central station system administrator. Valid range: 00000 - 65535.

[106] Ethernet Receiver 1 Domain Name

Default ()

Enter the domain name as 32 ASCII characters.

Ethernet Receiver 2 Options

[111] Ethernet Receiver 2 Account Code

Default (0000000000)

The account code is used by the central station to distinguish between transmitters. The account code is used when transmitting heartbeat signals to the central station receiver. Signals received from the control panel will use the control panel account number. Valid range: 0000000001-FFFFFFFFFE.

❶ **Note:** If both Ethernet receiver 2 and cellular receiver 2 are the same receiver (IP and port number are identical), Ethernet receiver 2 account will be used for Ethernet and cellular.

[112] Ethernet Receiver 2 DNIS

Default (000000)

The DNIS is used in addition to the account code to identify the communicator module at the central station. Valid range: 000000 - 099999. Value is entered as leading 0 followed by the 5-digit DNIS. Format is BCD.

- ① **Note:** Each Ethernet/cellular receiver must be programmed with a unique DNIS.

[113] Ethernet Receiver 2 Address

Default (000.000.000.000)

Programming the Ethernet receiver 2 IP address with 000.000.000.000 will disable Ethernet.

Enter the Ethernet receiver 2 IP address. This address will be provided by the central station system administrator. Format is 4 fields, each field is a 3-digit decimal. Valid range: 000-255.

- ① **Note:** When a valid IP address has been programmed, Ethernet receiver 2 is enabled and will communicate events over the Ethernet channel.

Ethernet receiver 2 and cellular receiver 2 may be configured to communicate to the same central station receiver.

To configure the device to operate using this common receiver mode functionality, program the Ethernet receiver 2 and cellular receiver 2 IP address and port number with the same values. When operating in common receiver mode the Ethernet receiver 2 account code will be used for communications over Ethernet and cellular.

- ① **Note:** Do not program Ethernet receiver 1 and Ethernet receiver 2 to communicate to same receiver.

[114] Ethernet Receiver 2 UDP Remote Port

Default (03061)

This section is used to program the port number used by Ethernet receiver 2. Set the value of this port when the installation is located behind a firewall, and must be assigned a particular port number as determined by the central station system administrator. Valid range: 00000 - 65535.

- ① **Note:** Do not program Ethernet receiver 1 and Ethernet receiver 2 port with the same value.

[115] Ethernet Receiver 2 UDP Local Port

Default (03065)

Use this section to program the value of the local outgoing port. Set et the value of this port when the installation is located behind a firewall and must be assigned a particular port number as determined by the network administrator. Valid range: 00000 - 65535.

- ① **Note:** Do not program Ethernet receiver 1 and Ethernet receiver 2 port with the same value.

[116] Ethernet Receiver 2 Domain Name

Default ()

Enter the Domain Name as 32 character ASCII.

Ethernet Options

[124] Ethernet Test Transmission Time

Default (9999)

Enter a 4 digit number (0000-2359) using the 24-hour clock format (HHMM) to set the test transmission time of day. Valid range: 00 - 23 hours (HH) and 00 - 59 minutes (MM). Programming a value of 9999 will disable the test transmission time.

- ① **Note:** The internal date and time will automatically be programmed when the unit communicates with the primary receiver.

[125] Ethernet Test Transmission Cycle

Default (000000)

This value represents the interval between test transmissions, in minutes. Valid range: 000000 - 999999 minutes. Once the unit has sent the initial periodic test transmission, all future test transmissions will be offset by the programmed number of minutes. See sections [026] - [029].

Table 39: Ethernet test transmission interval

Test transmission interval	Daily	Weekly	Monthly
Programmed Minutes	001440	010080	043200

- ⓘ **Note:** Minimum value is 000005 minutes. Programming an interval that is less than 5 minutes will disable test transmission.

Cellular Receiver 3 Options

[201] Cellular Receiver 3 Account Code

Default (0000000000)

The account code is used by the central station to distinguish between transmitters. This account code is used when transmitting heartbeat signals to the central station receiver. Signals received from the control panel will use the control panel account number. Valid range: 0000000001 - FFFFFFFF00.

[202] Cellular Receiver 3 DNIS

Default (000000)

The DNIS is used in addition to the account code to identify the communicator module at the central station. Valid range: 000000 - 0FFFFFF Values are entered as a leading 0 followed by the 6-digit DNIS.

- ⓘ **Note:** Each Ethernet/cellular receiver must be programmed with a unique DNIS.

[203] Cellular Receiver 3 IP Address

Default (000.000.000.000)

Enter the cellular receiver 1 IP address. This information will be provided by the central station system administrator. Each 3-digit segment of the address must be within a valid range of 000-255.

- ⓘ **Note:** When a valid IP address has been entered, the cellular receiver is enabled and will communicate events over the cellular channel.

[204] Cellular Receiver 3 Port

Default (03061)

This section determines the port used by cellular receiver 3. Change the default value of this port when the installation is located behind a firewall and must be assigned a particular port number as determined by the central station system administrator. Valid range: 00000 - 65535.

- ⓘ **Note:** Programming this section with 00000 will disable the receiver.

[205] Cellular Receiver 3 APN

Default ()

The Access Point Name (APN) determines the cellular network that the communicator will connect to. This information is available from the network carrier. Program this section as 32 ASCII characters.

- ① **Note:** When a SIM card with a custom APN is used, the unit will not have access to the Internet. DLS and remote flash can still be done if section [221] is programmed with a valid public APN.

[206] Cellular Receiver 3 Domain Name

Default ()

Enter the Domain Name as 32 ASCII characters. This information will be provided by the central station system administrator.

Cellular Receiver 4 Options

[211] Cellular Receiver 4 Account Code

Default (0000000000)

The account code is used by the central station to distinguish between different transmitters. This account code is used when transmitting signals to the central station receiver. Signals received on the panel will use the panel account number. Valid range: 0000000001 - FFFFFFFF01.

[212] Cellular Receiver 4 DNIS

Default (000000)

The DNIS is used in addition to the account code to identify the communicator module at the central station. Valid range: 000000 - 099999. Values are entered as a 0 followed by the 6-digit DNIS value. Format is BCD.

- ① **Note:** Each Ethernet/cellular receiver must be programmed with a unique DNIS.

[213] Cellular Receiver4 IP Address

Default (000.000.000.000)

Enter the cellular receiver 4 IP address. This IP address will be provided by the central station. Format is 4 fields, each field is 3-digit decimal. Valid range: 000 - 255.

- ① **Note:** When a valid address has been entered, cellular receiver 2 is enabled and will communicate events over the cellular path.

[214] Cellular Receiver 4 Port

Default (03061)

This section defines the port of cellular receiver 4. Change the value of this port when the installation is located behind a firewall and must be assigned a particular port number, as determined by the central station system administrator. Valid range: 00000 - 65535.

- ① **Note:** Do not program cellular receiver 1 and cellular receiver 2 to communicate to the same receiver.

[215] Cellular Receiver 4 APN

Default ()

The APN determines the cellular network that the communicator will connect to. This information is available from the network carrier. Program this section with up to 32 ASCII characters.

- ① **Note:** When a SIM card with a custom APN is used, the unit will not have access to the Internet. DLS and remote flash can still be done if section [221] is programmed with a valid public APN.

[216] Cellular Receiver 4 Domain Name

Default ()

Enter the cellular receiver 2 Domain Name with up to 32 ASCII characters.

Cellular Options

[221] Cellular Public Access Point Name

Default ()

When the communicator is operating on a private APN, use this section to select a public APN for DLS and remote firmware update. This information is available from the network carrier. The APN identifies the public cellular network that the communicator will connect to.

[222] Cellular Login User Name

Default ()

Some network carriers require login credentials when connecting to an APN. Program the login user name in this section. Enter the Cellular Login User Name with up to 32 ASCII characters.

[223] Cellular Login Password

Default ()

Some network carriers require login credentials when connecting to an APN. Program the login Password in this Section. Enter the Cellular Login Password with up to 32 ASCII characters.

[224] Cellular Test Transmission Time of Day

Default (9999)

Enter a 4 digit value using the 24-hour clock format (HHMM) to set the test transmission time of day. Valid range: 00-23 for the hours (HH) and 00-59 for the minutes (MM).

① **Note:** To disable the test transmission time of day enter 9999 or FFFF in this section.

The internal date and time will be automatically programmed by the primary receiver only.

[225] Cellular Test Transmission Cycle

Default (000000)

This value represents the interval in between test transmissions in minutes. Valid range: 000000 - 999999 minutes. Once the unit has sent the initial periodic test transmission, all future test transmissions will be offset by the programmed number of minutes. See sections [026] - [029].

Table 40: Cellular Test Transmission Interval

Test Transmission Interval	Daily	Weekly	Monthly
Programmed Minutes	001440	010080	043200

① **Note:** Minimum value is 000005 minutes. Programming an interval that is less than 5 minutes will disable test transmission.

[226] Network Trouble Delay Timer

Default (015)

This option is used to program the delay, in minutes, for reporting a cellular trouble delay. Valid entries are 000 - 255. When this section is programmed as 00, Cellular, Ethernet and Supervision troubles are not communicated.

[227] Voice Call Timeout

Default (000) Valid entries are 000 - 255.

[228] Voice Call Back Time

Default (010) Valid entries are 000 - 255.

[229] Voice Call Back Number
Default () 32 digit phone number.

Valid entries:: 0000000000000001 to FFFFFFFFFFFFFFFE

[422] Integration Identification Number

This section will display the unique 12-digit number assigned to this control panel for the identification when integrated with third party applications.

[423]Session 1 Integration Access Code

Default (12345678123456781234567812345678) Valid Range is 0000000000000000 - FFFFFFFFFFFFFFFF.

This section is a programmable 32-digit number used for initialization with third party applications.

① **Note:** If integrating with a third party application, this Access Code field must be programmed to a unique number in order to secure the connection with 128 bit encryption.

[424] Session 1 SMS Label

Default (11111111)

This section is used to identify the integration session with a third party integrator.

[425] Session 1 Integration Toggle Options 2

The toggle options in this section are used to enable and configure the path used for integration with third party applications.

[1] Integration over USB Default (OFF)

[2] Integration over Cellular Default (OFF)

[3] Integration over Ethernet Default (OFF)

[4]ITv2 Integration Protocol Default (ON)

[426]Session 1 Integration Toggle Options 3

The toggle options in this section are used to determine the polling and notification behavior used for integration with third party applications.

[1] UDP Polling Default (OFF)

[2] TCP Polling Default (OFF)

[3] Real-time Notification Default (OFF)

[4] Notification Follows Poll Default (OFF)

[5] Firewall IP Default (OFF)

[427] Session 1 Interactive Polling Interval in Seconds

Default (00010) Valid range: 00000-65535

This option controls the polling interval from the alarm panel to the integration interface for the purpose of optimizing data usage. The shorter the interval, the higher the data usage.

[428] Session 1 Integration Server IP

This section programs the IP address of the third party server. **Do not** program this section if a domain name is programmed in section [431].

[429] Session 1 Integration Notification Port

Default (00372) Valid range: 00000-65535

This section is used to program the TCP Integration port for real time notification

[430] Session 1 Integration Polling Port
Default (00373) Valid range: 00000- 65535

This section is used to program the integration server port. Refer to third party device manual for more information

[431] Session 1 Integration Server DNS

Enter the domain name (up to 32 ASCII characters) as provided by a third-party device. Refer to third party device manual for more information.

[432] Session 1 Integration Outgoing Port
Default (03070) Valid range: 00000- 65535

This section is used to program the outgoing port for integration via UDP.

[433] Session 1 Integration Incoming Port
Default (03071) Valid range: 00000- 65535

This section is used to program incoming port for integration via TCP.

[450]-[460] Repeats [423]-[433] for Session 2

[477]-[487] Repeats [423]-[433] for Session 3

[504]-[514] Repeats [423]-[433] for Session 4

[691] - [694] Session 1 to 4 Notification Control

[1] - Alarm and Alarm Restore Notifications Off (ON)

[2] - Tamper and Tamper Restore Notifications Off (ON)

[3] - Arming/Disarming Notifications (ON)

[4] - Trouble and Trouble Restore Notifications (ON)

[5] -Test Transmission Notifications (ON)

[901] Receiver Test

This section is used to enable Ethernet or cellular ports for receiver diagnostic test transmissions.

[1] Receiver 1 Default (OFF)

[2] Receiver 2 Default (OFF)

[3] Receiver 3 Default (OFF)

[4] Receiver 4 Default (OFF)

System Information (Read Only)

① **Note:** Provided for information (read-only). Values in these sections cannot be modified by the installer.

[976] - Radio Configuration File Version

[977] - Cellular Network Provider - MCC/MNC Code

[978] - Cellular Network Type

Option	Network type	Network protocol	Option	Network type	Network protocol
00	GPRS	2G	04	LTE	Ethernet only
01	EDGE	2G	05	LTE Advanced	LTE
02	WCDMA	3G	06	CDMA	LTE ADVANCE
03	HSDPA	CDMA	07	EVDO	WCDMA

[979] - Cellular Network CSQ

[980] - Radio Reset Codes

[981] - Radio Type

[982] - Radio Firmware Version

[983] - Firmware Update Diagnostics Section

Firmware updates for panel and the communicator itself can be made from the communicator.

Table 41: Response Code Descriptions and Corresponding Actions

Response Code	Description of Response Code	Corresponding Action
Bad File		
00	Version check failed	Contact DSC Tech Support, described the action attempted with the system and supply them with the Response Code in Section [983].
01	Image type mismatch	
02	Device type mismatch	
03	Hardware type mismatch	
04	General variant mismatch	
05	Firmware header wrong length	
Panel is Busy		
20	System update pending - panel is armed	Disarm the panel to continue with system firmware update process.
21	System update pending -AC trouble (Any AC trouble; device/module)	Resolve the AC trouble to continue with system firmware update process.
22	System update pending - low battery (Any low battery trouble; device/module)	Resolve the low battery trouble to continue with system firmware update process.
25	System update pending - communication in progress	Retry in a few minutes; if issue persists, contact DSC Tech Support.
Firmware Update Sequence Change		
A0	System firmware update successful	None

Table 41: Response Code Descriptions and Corresponding Actions

Response Code	Description of Response Code	Corresponding Action
A1	System firmware update failure	At least one module was not updated. Use DLS to reapply the firmware to the module not updated.
A2	System firmware update failure - module not found	At least one module was not responding during firmware update. Ensure all modules enrolled are physically connected and powered up.
AA	Device firmware transfer begin	None
AB	Device firmware module update begin	None
AC	General device firmware transfer failure	Contact DSC Tech Support, describe the action attempted with the system and supply them with the Response Code in Section [983].
Firmware Update Status		
C0	System ready to update	None
C1	System update cancel request received	The system has received an update cancel request from DLS.
C2	System update begin	None
Firmware Download Request Reject		
E0	Reserved	
E1		
E2		
E3		
E4		
E5	Remote firmware update disabled	Enable remote firmware update in the communicator in order to perform remote system firmware update.
Local Status Update States		
FE	Firmware file empty	No action required. Communicator currently does not have any firmware files.
FD	Firmware download in progress	No action required. Communicator is currently downloading firmware.

The table displays firmware update indicator codes and the meaning of each code. The communicator can update panel and communicator firmware. The updates can be made from

the communicator. This section does not provide specific details such as whether the image is still stored or erased due to the cancellation code.

[984] - Communicator Status

The communicator status sections indicate the status of the communicator's functionality, operational readiness, and failures.

The communicator status is displayed as a 6-digit hexadecimal code. The code ranges between 00000F and 2220CF, though not all numbers in this range are assigned. Each of the 6 digits represents a status or trouble indicator as below:

1. Digits 1 and 2: Signal strength indicators display the presence/strength of cellular radio. Table 42 for a listing of possible values
2. Digit 3: Network Indicator, indicates the operational status of the network. Table 43 for a list of possible values.
3. Digits 4 and 5: Trouble Indicator displays the type of issue on the communicator or modules associated with and connected to the communicator. Table 44 for a listing of possible values.
4. Digit 6: Reserved, displays as 'F' or '-'.

For example, a value of 11002F means:

11- Signal strength is excellent

0 - No network issues

02 - Panel supervision trouble with the communicator

The status code for the radio signal strength, its typical troubles, possible causes and troubleshooting instructions is displayed in the following tables.

Table 42: Radio Signal Strength - Digits 1 and 2

Signal Strength	CSQ Level	Signal Indicator 1	Signal Indicator 2	Signal Level [dBm]	Signal Level Status	Action Required
No Signal	0	0	0	-108.8	bad	Check all antenna connections. Confirm cellular service is active in area. Relocate panel or install external antenna.
1 Bar	1 - 4	0	2	-108 ~ -103	weak	Relocate panel or install external antenna if yellow trouble LED has 5 flashes.
2 Bars	5 - 6	0	1	-102 ~ --99	weak	
3 Bars	7 - 10	2	1	-98 ~ -91	strong	Location is OK. Cellular signal strength is greater than CSQ 7.
4 Bars	11 - 13	2	1	-90 ~ -85	strong	
5 Bars	14 +	1	1	-84 and higher	excellent	

Table 43: Network Indicator - Digit 3

Network Indicator Value	Means
OFF	No network trouble
ON	Ethernet cable disconnected Ethernet DHCP failed
Flashing	Incoming transmission Outgoing transmission Incoming transmission

Table 44: Trouble Indicator - Digits 4 and 5

Trouble indication	Trouble indicator digit	Possible causes	Trouble description and possible solutions
No indication		No power	To fix this trouble complete the following checks: <ul style="list-style-type: none">• Check the power connections between the panel and the communicator.• Check the PC-link cable connection between the panel and the communicator.
Yellow LED on solid		No signal	To fix this trouble complete the following checks: <ul style="list-style-type: none">• Confirm that the cellular network is active in the area.• Check that the antenna stub cable connects securely to the radio.• If using an external antenna, check it securely screws on to the antenna cable connector.• If using an external antenna, check it for signs of damage or open/short.
Trouble LED flashes twice	02	Panel supervision trouble	To fix this trouble complete the following checks: <ul style="list-style-type: none">• Check section [382] toggle option [5] is ON (alternate communicator is enabled).• Check the PC-link cable connection between the panel and the communicator.

Table 44: Trouble Indicator - Digits 4 and 5

Trouble indication	Trouble indicator digit	Possible causes	Trouble description and possible solutions
Yellow LED flashes 5 times	05	Cellular trouble	<p>To fix this trouble complete the following checks:</p> <ul style="list-style-type: none">• Check that the cellular network is active in the area.• Check all antenna connections.• Check that the average radio strength is CSQ 5 or higher.• Check that the SIM card is properly inserted into the SIM card holder.• Check that the SIM card is active. This can take up to 24 hours after installation. <p>If this trouble persists, relocate the panel and communicator, or install an external antenna extension kit.</p>
Yellow LED flashes 6 times	06	Ethernet trouble	<p>To fix this trouble complete the following checks:</p> <ul style="list-style-type: none">• Check with the internet service provider that the internet service is active in the area.• Check the ethernet cable connects securely to the RJ45 jack on the communicator and the hub/router/switch.• Check the link light on the hub/router/switch is on. If the link light is off turn on the hub/switch/router.• If you are using DHCP, check section [851][992] for a valid IP address. If there is no IP address contact the network administrator. <p>If this trouble persists, replace the ethernet cable and RJ45 connector.</p>

Table 44: Trouble Indicator - Digits 4 and 5

Trouble indication	Trouble indicator digit	Possible causes	Trouble description and possible solutions
Yellow LED flashes 7 times	07	Receiver not available	<p>To fix this trouble complete the following checks:</p> <ul style="list-style-type: none">• Check that the ethernet cable is connected to the internet.• If you are using a static IP address, check that the gateway and subnet mask are entered correctly.• If the network has a firewall, check that the outgoing ports are open (default UDP port 3060 and port 3065).• Check that all receivers have DHCP programming or have the correct IP address and port number.• Check that the access point name (APN) provided by the cellular provider match the cellular receiver APNs.• If you are using common mode, and only one path is initialized and the other path is not successful, generate a manual test transmission other both paths or power cycle the communicator to recover the receiver not available trouble.
Yellow LED flashes 8 times	08	Receiver supervision trouble	<p>This trouble indicates that supervision is enabled but the unit cannot communicate with the receiver. If this trouble persists, contact the central station.</p>

Table 44: Trouble Indicator - Digits 4 and 5

Trouble indication	Trouble indicator digit	Possible causes	Trouble description and possible solutions
Yellow LED flashes 9 times	09	FTC trouble	This trouble indicates that all communication attempts to all programmed receivers for events generated by the communicator have been exhausted. To fix this trouble, restart the system. If the trouble persists, contact your dealer.
Yellow LED flashes 12 times	0C	Module configuration trouble	This trouble indicates that section [021] system account code, or sections [101], [111], [201], and [211] receiver account code have not been programmed. To fix this trouble, enter a valid account code in these sections.
All LEDs flash together		Boot loader failed	To fix this trouble, disconnect power from the communicator and then reconnect power to the communicator.
Red and yellow LEDs flash together		Initialization sequence	This trouble indicates the communicator is initializing. Wait for the communicator to establish a connection to all programmed receivers. This process can take several minutes to complete.
Only green LEDs flash		Hardware default jumper	This trouble indicates that the hardware default jumper is installed and must be removed.
Green LEDs flash alternating		Radio reset or radio initialization	If this trouble persists, and the yellow LEDs flash 5 times, confirm that the SIM card is active.

[985] - Radio Initialization Status

The radio initialization status indicates the status of radio communication. It is displayed as an 8-digit toggle option, with each digit indicating a task in the initialization process.

1. Radio power up
2. Received the SMS from C24 Communications
3. Radio reset
4. Radio attached to network
5. Receiver 1 initialized
6. Receiver 2 initialized
7. Receiver 3 initialized

8. Receiver 4 initialized

For example, the radio initialization status code 12-45--- indicates that radio has been powered up, it has received SMS signal from C24 Communications, the radio is attached to the network, and receiver 1 has been initialized. This code would update to 12-45678 when receivers 2, 3, and 4 are initialized.

If the radio initialization status code does not indicate any problems, proceed with installation as per this manual. If troubles are reported, reset the initialization process. If this action does not fix the problem, refer to the trouble shooting section in this manual.

The following table shows each digit position in the status code, each digit's value and its assigned meaning in the eight-digit code:

Table 45: Radio Initialization Status - 1-8 bits completion

Bit	1	2	3	4	5	6	7	8
Not Completed								
Completed	1	2	3	4	5	6	7	8

[986] - Options 4

[1] Remote Shutfown Default (OFF)

[987] - Language Version

This section displays the current language version of the communicator.

[988] - DNS 1 IP

This section displays the IP address of DNS Server 1. This is useful when the unit is configured for DHCP and the IP address assigned to the device by the DHCP Server is needed. This value is programmed in Section [007] or assigned by DHCP.

[989] - DNS 2 IP

This section will display the IP address of DNS Server 2. This is useful when the unit is configured for DHCP and the IP

address assigned to the device by the DHCP Server is needed. This value is programmed in section [008] or assigned by

DHCP.

[990] - Boot Loader Version

This section displays the current boot loader version of the communicator.

[991] - Firmware Version

This section displays the current firmware version of the device. Update worksheets with new version after a flash update is completed.

[992] - Ethernet IP Address

This section displays the IP address of the Ethernet connection. This value is programmed in section [001] or assigned by DHCP.

[993] - Ethernet Gateway IP Address

This section displays the IP address of the Ethernet connection. This value is programmed in section [001] or assigned by DHCP.

[994] - Cellular IP Address

This section displays the current dynamic IP address assigned by DHCP to the cellular connection.

① **Note:** Cellular uses DHCP (dynamic IP) only. The cellular IP address is always provided by the cellular network (i.e., not programmable).

[995] - SIM Number

This section displays the Subscriber Identity Module (SIM) number of the SIM card installed in the communicator. Format is: Major Industry Identifier (2 digits); Mobile Country Code (2 or 3 digits); Mobile Network Code (2 - 3 digits); Unique Number (10 - 12 digits); and Checksum (1 digit). Valid SIM numbers range is: 18 - 21 numbers. This number is printed on the SIM and the outside of the communicator carton.

① **Note:** The checksum digit is omitted on 19-digit SIM card numbers.

[996] - Cellular Telephone Number

This section displays the cellular telephone number of the SIM. This telephone number is required by the Installer for DLS and remote firmware (flash) update.

[997] - IMEI Number

This section will display the unique 15-digit International Mobile Equipment Identity (IMEI) of the radio. Format is: Reporting Body Identifier (2 digits), Allocation Number (4 digits); Final Assembly Code (2 digits); Serial Number (6 digits); and a check digit.

[998] - MAC Address

This section will display the unique 12-digit, hexadecimal number assigned as the Media Access Control (MAC) address of the device.

[999] - Communicator Default

Default - (99)

Communicator default updates the unit after changes and also returns the communicator to the default state.

00: Default Module. All programming sections in the module revert to factory settings. This erases existing programming of the unit.

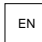
55: Reset. The Cellular alarm communicator module is reset. This option is equivalent to power cycling the cellular alarm communicator.

[860] Display Keypad Slot Number

The 2-digit slot number of the keypad being used is displayed in this read only section.

[861]-[892] Keypad Programming

Use section [861] to [892] to configure keypads 1 to 32. For information on keypad programming, refer to the installation sheet supplied with the keypad.

① **Note:**  For EN50131 compliant installations [861][021] options 1 and 2 must be disabled.

[899] Template Programming

Template programming allows quick programming of the minimum functions required for basic operation. This section is used to view current template programming options and to define certain

system parameters. Press the (#) key to accept the displayed value and advance to the next option. The following options are available:

- 5-digit Template Code: Displays the current 5-digit template programming code (default: 00000). Each digit in the code selects a set of pre-defined programming options, as described below:
 - Digit 1 - zone 1-8 definition options
 - Digit 2 - system EOL options
 - Digit 3 - alarm controller communications options
 - Digit 4 - reporting code configurations
 - Digit 5 - DLS connection options
- Central Station Telephone Number: The phone number used to contact the central monitoring station (32 character limit).
- Central Station Account Code: The account code used in programming section [310]. This is a 4 or 6-digit entry.
- Partition Account Code: Used to identify partition-specific events. All 4 digits must be entered in order to complete the entry.
- This account code is entered into programming section [310][001].
- DLS Access Code: The 6-digit DLS access code used in programming section [403].
- Partition 1 Entry Delay: The 3-digit entry delay duration for partition 1, in seconds, used in programming [005][001] option 1.
- Partition 1 Exit Delay: The 3-digit exit delay duration for partition 1, in seconds, used in programming section [005][001] option 3.
- Installer Code: The 4, 6 or 8-digit installer access code used in programming section [006][001].

For more information on template programming, see [Template programming tables](#).

Systems Information

[900] System Information

[000] – Control Panel Version

This read-only section contains the model number, software version, hardware revision and serial number of the alarm controller. For example, an entry of 1234 is read as version 12.34.

[001]-[524] – Module Information

This read-only section is used to view the model number, software version, and hardware revision information of the modules enrolled on the alarm system.

To view information for a specific module, scroll to the corresponding section:

[001]-[032] Keypads

[101]-[130] 8-zone expansion module

[201]-[216] 8-output expansion module

[301] -[330] 8 zone expansion module

[460] Alternate communicator

[461] HSM2Host module

[481] 2 Way Audio Module

[501]-[504] 1A power supply module

[521]-[524] High-current output modules 1-4

[551]-[554] 3A power supply

[601]-[616] Corbus repeater

[901] Installer Walk Test Mode Enable/Disable

This mode tests the operation of each detector in the system. Enter section [901] to initiate a walk test. While in Walk Test mode, the Ready, Armed, and Trouble LED's on the keypad flash to indicate that the test is active. When a zone is tripped during the test, a 2-second tone sounds on all system keypads to indicate that the zone is working correctly.

After 10 minutes without zone activity, the alarm system emits 5 beeps every 10 seconds from all keypads. After another 5 minutes of inactivity, Walk Test terminates automatically.

To manually exit walk test mode, enter [901] again.

Module Programming

Use this section to add, remove and confirm the following modules:

- Keypads, see [Compatible devices](#)
- 8-zone expander module (HSM2108)
- 8-output expander module (HSM2208)
- Power supply (HSM2300)
- 4-output power supply (HSM2204)
- Wireless transceiver (HSM2HOSTx)
- Audio Verification Module (HSM2955)
- zone Expansion Module (HSM3408)
 - Power Supply Module (HSM3350)
 - Corbus Repeater Module (HSM3204CX)

Once added, modules are supervised by the system.

[902] Add/Remove Modules

Modules can be enrolled automatically or manually. In either case, the serial number of the device is used as an identifier.

Select one of the enrollment options described below.

[000] – Auto Enroll Modules

When this mode is selected, the alarm system automatically enrolls all modules connected to the Corbus. The total number of modules currently enrolled are displayed on the keypad.

- Enter sub-section [000] to begin auto enrollment of all new modules. The auto enroll screen will show the following:
 - KP = Number of keypad type modules
 - IO = Number of zone and output type modules
 - M = Number of other type modules

Devices are assigned to the next available slot. The slot assignment can be modified using subsections [002] and [003].

[001] – Enroll Modules

To enroll modules individually:

1. Enter programming section [902][001].
2. When prompted, key in the serial number of the module found on the PCB. An error tone is sounded if an invalid serial number is used.
3. To cancel enrollment of a module, press [#].

[002] – Module Slot Assignment

This section is used to change the slot number a module is enrolled in. To change the slot number:

1. Enter programming section [902][002].
2. Key in the serial number of the module.
3. When prompted, key in the new two-digit slot number. The previous slot assignment is replaced with the new one. An error tone sounds if an invalid slot number is keyed in.

[003] – Edit Module Slot Assignment

Like [002], this section is also used to change the slot number of a module. With this option, however, the serial number is not required. To change the slot number:

1. Enter programming section [902][002].
2. Use the scroll keys to locate the module then press [*] to select.
3. Key in the new two-digit slot number. The previous slot assignment is replaced with the new one. An error tone sounds if an invalid slot number is keyed in.

Deleting Modules

The following sections are used to remove modules from the system:

[101] – Keypads

[102] – 8-zone Expander Modules

[103] – 8-output Expander Modules

[104] – 8 zone HSM3408 Expander Module

[106] – HSM2Host

[108] – HSM2955

[109] – Power Supply

[110] – 4 High Current Output

[111] – 3A Power Supply Module

[112] – Corbus Repeater Module

1. After entering section [902], scroll to the module type you want to delete (101-112).
2. Press [*] to select the module type then scroll to the specific module you want to delete.
3. Press [*] to select the module then, when prompted, press [*] again to delete.

[903] Confirm Module

The following sections are used to confirm enrollment of individual modules, their serial and slot numbers, and to locate them physically:

[000] – View All Modules

[101] – Keypads

[102] – 8-zone Expander Modules

[103] – 8-output Expander Modules

[104] – 8 I/O Expander Module

[106] – HSM2Host

[108] – HSM2955

[109] – Power Supply

[110] – 4 High Current Output

[111] – 3A Power Supply Module

[113] – Corbus Repeater Module

To confirm a module:

1. Enter section [903]>[000] to view all enrolled modules or scroll to the module type you want to confirm (101-113).
2. Press [*] to select the module type then scroll to the specific module you want to confirm. Press [*] to enter Confirmation mode. The module's serial number and slot number are displayed on the keypad and the status LEDs on the device flash. This continues until confirmation mode for the device is exited via the [#] key.

ⓘ **Note:** Keypad Blanking (section [016], option 3) must be disabled to confirm keypads.

Testing

[904] Wireless Placement Test

This test is used to determine RF signal status for wireless devices and can be performed at a system keypad or at the individual device. These instructions pertain to testing at the keypad. For instructions on placement testing at the device, refer to the installation sheet included with the wireless equipment.

The following test modes are available:

[001]-[248] Placement Test Zones 1-248

Test wireless devices individually by zone.

[521]-[528] Placement Test Repeaters 1-8

Test each enrolled wireless repeater.

[551]-[566] Placement Test Sirens 1-16

Test each enrolled wireless siren.

[601]-[632] Placement Test Wireless keys 1-32

Test individual wireless keys. Once in this section, press a button on the wireless key to begin the test.

[701]-[716] Placement Test Wireless Keypads 1-16

Test each enrolled wireless keypad.

Two test results are provided:

- 24-hour: Average status results received during a 24-hour period.
- Now: Signal status results of the current test.

The following status indicators may be displayed:

Table 46: Table 5 Wireless device status indications

Keypad	Status
Strong	Strong signal strength
Good	Good signal strength
Poor	Poor signal strength
1-Way	The device is operating in 1-way mode only. The alarm panel cannot configure or control the device
Not Test	Displayed as the Now result if no test was performed
None	Always displayed as the 24-hour result when testing wireless keys

Diagnostics

The Diagnostics feature provides a live measurement of voltage, current, and battery condition for the alarm panel and devices through the system keypad. This information can be used in place of a multimeter to troubleshoot panel and module troubles. To view specific measurements, scroll to the corresponding section:

[000] Panel

[001] DC input voltage/current

[002] Battery voltage, battery charge voltage/current, battery discharge voltage

[003] Aux supply voltage/current

[004] Bus supply voltage/current

[005] Main bell voltage/current

[006] Zone resistance-Zone 1-8

[001]-[132] Keypad 1-32

[001] Bus supply voltage

[002] I/O 1-Zone XXX resistance, where XXX is the zone number

[101]-[115] HSM2108 Zone expander

[001] Bus supply voltage

[002] Aux supply voltage/current

[003] I/O 1-8 resistance - Zones 1-8

[301]-[330] 8 I/O Expander

[001] Zone resistance - Zones 1-8

[501]-[504] 1 A Power supply

[001] Battery voltage/current

[521]-[524] 4 Output 1A Power supply

[001] Battery voltage/current

[551]-[554] 3A Power supply

[001] DC input

[002] Battery voltage, battery charge voltage/current, battery discharge current

[003] Battery voltage, battery charge voltage/current, battery discharge current

[004] Bus supply voltage

[005] Aux1 supply voltage/current

[006] Aux2 supply voltage/current

[601]-[616] Corbus repeater

[001] DC input

[002] Battery voltage, battery charge voltage/current, battery discharge current

[003] Bus supply voltage

[004] Bus out voltage/current

[005] Aux supply voltage/current

[912] Soak Test

This feature is used to diagnose false alarms. After a false alarm has occurred on a zone, Soak Test mode impedes any audible alarm conditions or additional false alarm reporting. A record of the false alarm is stored in the event buffer for diagnostic purposes.

[000] – Soak Test Duration

This option is used to program the length of time the system remains in soak test. The default is 14 days.

[001]-[248] Zone Soak Test

Soak test can be performed on individual zones. The zone remains in soak test, regardless of the status of the system, until the soak test timer has expired. If the system is armed when the timer expires, the zones are removed from soak test when the system is disarmed.

No communications occur for events from a zone in soak test, with the exception of low battery and low battery restore events and faults generated by low sensitivity in a smoke detector.

A message indicating that the zone is in soak test is displayed when scrolling left or right in the base disarmed keypad menu.

❶ **Note:** Soak test is not applied to temperature detector events if it is enabled.

[982] Battery Settings

[000] – Panel Battery Settings

01 – When disabled, the panel battery is charged at 400 mA. When enabled, the battery is charged at 700 mA.

[010] – High Current Output Battery

Enables and disables the high-current battery charge option for HSM2204 1-4.

[020] – 1 A Power Supply Battery

Enables and disables the high-current battery charge option for HSM2300 1-4.

[030] – Corbus Repeater

Enables and disables the high-current battery charge option for HSM3204CX 1-16.

[040] – 3A Power Supply

Enables and disables the high-current battery charge option for HSM33501-4.

Toggle 1 enables high charge for battery 1.

Toggle 2 enables high charge for battery 2.


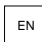
Toggle 3 enables or disables battery 2. Default is enabled.

Defaults

[989] Default Master Code

This section is used to default the master code to the factory default. After entering this section, key in the installer code then 989.

[989][installer code][989] or [*].

 **Note:**  Feature is only available for models.

[990] Installer Lockout Enable/Disable

When this option is enabled, an installer can not perform a hardware default; attempts to do so are logged to the event buffer.

An audible indication of installer lockout is provided when powering up the alarm system (the phone line relay clicks rapidly). Software default changes can still be made while installer lockout is enabled.

[990][installer code][990] or [*].

[991] Default Keypads

This programming option is used to return system keypads to factory default settings.

[901]- [932] – Default keypads 1-32

This resets individual keypads to factory defaults. After entering this section, select the keypad to default, key in the installer code then 991 (or press [*]).

[999] – Default all keypads

This section resets all system keypads to factory defaults. After entering this section, enter the installer code then [*] or 991.

[993] Default Alternate Communicator

To reset the alternate communicator to factory defaults, enter [993][installer code][993 or *].

[996] Default Wireless Receiver

To reset the HSM2HOST wireless receiver to factory defaults, enter [996][installer code][996 or *].

[998] Default Audio Module

To reset the HSM2955 audio module to factory defaults, enter [998][installer code][998 or *].

[999] Default System

To reset the alarm controller to factory defaults, enter [999][installer code][999 or *].

Programming worksheets

Label Programming

[000] Label Programming											
Description on [000] Language selection											
[000] - Language Selection (2-digit decimal; Default: 01)											
01	English	06	Dutch	11	Swedish	16	Turkish	22	Bulgarian	27	Serbian
02	Spanish	07	Polish	12	Norwegian	18	Croatian	23	Latvian	28	Estonian
03	Portuguese	08	Czech	13	Danish	19	Hungarian	24	Lithuanian	29	Slovenian
04	French	09	Finnish	14	Hebrew	20	Romanian	25	Ukrainian		
05	Italian	10	German	15	Greek	21	Russian	26	Slovakian		

[000] [001] Zone Labels (2 x 14 Characters)		
Description on [001]-[248] Zone Labels		
001:	002:	003:
004:	005:	006:
007:	008:	009:
010:	011:	012:
013:	014:	015:
016:	017:	018:
019:	020:	021:
022:	023:	024:
025:	026:	027:
028:	029:	030:
031:	032:	033:
034:	035:	036:
037:	038:	039:
040:	041:	042:
043:	044:	045:
046:	047:	048:
049:	050:	051:
052:	053:	054:
055:	056:	057:
058:	059:	060:
061:	062:	063:
064:	065:	066:
067:	068:	069:
070:	071:	072:
073:	074:	075:

076:	077:	078:
079:	080:	081:
082:	083:	084:
085:	086:	087:
088:	089:	090:
091:	092:	093:
094:	095:	096:
097:	098:	099:
100:	101:	102:
103:	104:	105:
106:	107:	108:
109:	110:	111:
112:	113:	114:
115:	116:	117:
118:	119:	120:
121:	122:	123:
124:	125:	126:
127:	128:	129:
130:	131:	132:
133:	134:	135:
136:	137:	138:
139:	140:	141:
142:	143:	144:
145:	146:	147:
148:	149:	150:
151:	152:	153:
154:	155:	156:
157:	158:	159:
160:	161:	162:
163:	164:	165:
166:	167:	168:
169:	170:	171:
172:	173:	174:
175:	176:	177:
178:	179:	180:
181:	182:	183:
184:	185:	186:
187:	188:	189:
190:	191:	192:
193:	194:	195:
196:	197:	198:

199:	200:	201:
202:	203:	204:
205:	206:	207:
208:	209:	210:
211:	212:	213:
214:	131:	215:
216:	217:	218:
219:	220:	221:
222:	223:	224:
225:	226:	227:
228:	229:	230:
231:	232:	233:
234:	235:	236:
237:	238:	239:
240:	241:	242:
243:	244:	245:
246:	247:	248:

[000]	064 – CO Alarm Message	(2 x 14 Characters):
	065 – Fire Alarm Message	(2 x 14 Characters):
	066 – Fail to Arm Event Message	(2 x 16 Characters):
	067 – Alarm When Armed Event Message	(2 x 16 Characters):
	100 – System Label	(1 x 14 Characters):
	101 – Partition 1 Label	(1 x 14 Characters):
	102 – Partition 2 Label	(1 x 14 Characters):
	103 – Partition 3 Label	(1 x 14 Characters):
	104 – Partition 4 Label	(1 x 14 Characters):
	105 – Partition 5 Label	(1 x 14 Characters):
	106 – Partition 6 Label	(1 x 14 Characters):
	107 – Partition 7 Label	(1 x 14 Characters):
	108 – Partition 8 Label	(1 x 14 Characters):
	109 – Partition 9 Label	(1 x 14 Characters):
	110 – Partition 10 Label	(1 x 14 Characters):
	111 – Partition 11 Label	(1 x 14 Characters):
	112 – Partition 12 Label	(1 x 14 Characters):
	113 – Partition 13 Label	(1 x 14 Characters):
	114 – Partition 14 Label	(1 x 14 Characters):

115 – Partition 15 Label	(1 x 14 Characters):
116 – Partition 16 Label	(1 x 14 Characters):
117 – Partition 17 Label	(1 x 14 Characters):
118 – Partition 18 Label	(1 x 14 Characters):
119 – Partition 19 Label	(1 x 14 Characters):
120 – Partition 20 Label	(1 x 14 Characters):
121 – Partition 21 Label	(1 x 14 Characters):
122 – Partition 22 Label	(1 x 14 Characters):
123 – Partition 23 Label	(1 x 14 Characters):
124 – Partition 24 Label	(1 x 14 Characters):
125 – Partition 25 Label	(1 x 14 Characters):
126 – Partition 26 Label	(1 x 14 Characters):
127 – Partition 27 Label	(1 x 14 Characters):
128 – Partition 28 Label	(1 x 14 Characters):
129 – Partition 29 Label	(1 x 14 Characters):
130 – Partition 30 Label	(1 x 14 Characters):
131 – Partition 31 Label	(1 x 14 Characters):
132 – Partition 32 Label	(1 x 14 Characters):
201 – Partition 1 Command Output Labels	001 – Partition 1 Command Output 1:
(2 x 14 Characters)	002 – Partition 1 Command Output 2:
Descriptions on [201]-[232] [001]-[004] Partition command output labels	003 – Partition 1 Command Output 3:
	004 – Partition 1 Command Output 4:
202 – Partition 2 Command Output Labels	001 – Partition 2 Command Output 1:
(2 x 14 Characters)	002 – Partition 2 Command Output 2:
	003 – Partition 2 Command Output 3:
	004 – Partition 2 Command Output 4:
203 – Partition 3 Command Output Labels	001 – Partition 3 Command Output 1:
(2 x 14 Characters)	002 – Partition 3 Command Output 2:
	003 – Partition 3 Command Output 3:
	004 – Partition 3 Command Output 4:
204 – Partition 4 Command Output Labels	001 – Partition 4 Command Output 1:

	(2 x 14 Characters)	002 – Partition 4 Command Output 2:
		003 – Partition 4 Command Output 3:
		004 – Partition 4 Command Output 4:
	205 – Partition 5 Command Output Labels	001 – Partition 5 Command Output 1:
	(2 x 14 Characters)	002 – Partition 5 Command Output 2:
		003 – Partition 5 Command Output 3:
		004 – Partition 5 Command Output 4:
	206 – Partition 6 Command Output Labels	001 – Partition 6 Command Output 1:
	(2 x 14 Characters)	002 – Partition 6 Command Output 2:
		003 – Partition 6 Command Output 3:
		004 – Partition 6 Command Output 4:
	207 – Partition 7 Command Output Labels	001 – Partition 7 Command Output 1:
	(2 x 14 Characters)	002 – Partition 7 Command Output 2:
		003 – Partition 7 Command Output 3:
		004 – Partition 7 Command Output 4:
	208 – Partition 8 Command Output Labels	001 – Partition 8 Command Output 1:
	(2 x 14 Characters)	002 – Partition 8 Command Output 2:
		003 – Partition 8 Command Output 3:
		004 – Partition 8 Command Output 4:
	208 – Partition 8 Command Output Labels	001 – Partition 8 Command Output 1:
	(2 x 14 Characters)	002 – Partition 8 Command Output 2:
		003 – Partition 8 Command Output 3:
		004 – Partition 8 Command Output 4:
	209 – Partition 9 Command Output Labels	001 – Partition 9 Command Output 1:
	(2 x 14 Characters)	002 – Partition 9 Command Output 2:
		003 – Partition 9 Command Output 3:
		004 – Partition 9 Command Output 4:
	210 – Partition 10 Command Output Labels	001 – Partition 10 Command Output 1:
	(2 x 14 Characters)	002 – Partition 10 Command Output 2:
		003 – Partition 10 Command Output 3:
		004 – Partition 10 Command Output 4:

211 – Partition 11 Command Output Labels	001 – Partition 11 Command Output 1:
(2 x 14 Characters)	002 – Partition 11 Command Output 2:
	003 – Partition 11 Command Output 3:
	004 – Partition 11 Command Output 4:
212 – Partition 12 Command Output Labels	001 – Partition 12 Command Output 1:
(2 x 14 Characters)	002 – Partition 12 Command Output 2:
	003 – Partition 12 Command Output 3:
	004 – Partition 12 Command Output 4:
213 – Partition 13 Command Output Labels	001 – Partition 13 Command Output 1:
(2 x 14 Characters)	002 – Partition 13 Command Output 2:
	003 – Partition 13 Command Output 3:
	004 – Partition 13 Command Output 4:
214 – Partition 14 Command Output Labels	001 – Partition 14 Command Output 1:
(2 x 14 Characters)	002 – Partition 14 Command Output 2:
	003 – Partition 14 Command Output 3:
	004 – Partition 14 Command Output 4:
215 – Partition 15 Command Output Labels	001 – Partition 15 Command Output 1:
(2 x 14 Characters)	002 – Partition 15 Command Output 2:
	003 – Partition 15 Command Output 3:
	004 – Partition 15 Command Output 4:
216 – Partition 16 Command Output Labels	001 – Partition 16 Command Output 1:
(2 x 14 Characters)	002 – Partition 16 Command Output 2:
	003 – Partition 16 Command Output 3:
	004 – Partition 16 Command Output 4:
217 – Partition 17 Command Output Labels	001 – Partition 17 Command Output 1:
(2 x 14 Characters)	002 – Partition 17 Command Output 2:
	003 – Partition 17 Command Output 3:
	004 – Partition 17 Command Output 4:
218 – Partition 18 Command Output Labels	001 – Partition 18 Command Output 1:
(2 x 14 Characters)	002 – Partition 18 Command Output 2:

		003 – Partition 18 Command Output 3:
		004 – Partition 18 Command Output 4:
	219 – Partition 19 Command Output Labels	001 – Partition 19 Command Output 1:
	(2 x 14 Characters)	002 – Partition 19 Command Output 2:
		003 – Partition 19 Command Output 3:
		004 – Partition 19 Command Output 4:
	220 – Partition 20 Command Output Labels	001 – Partition 20 Command Output 1:
	(2 x 14 Characters)	002 – Partition 20 Command Output 2:
		003 – Partition 20 Command Output 3:
		004 – Partition 20 Command Output 4:
	221 – Partition 21 Command Output Labels	001 – Partition 21 Command Output 1:
	(2 x 14 Characters)	002 – Partition 21 Command Output 2:
		003 – Partition 21 Command Output 3:
		004 – Partition 21 Command Output 4:
	222 – Partition 22 Command Output Labels	001 – Partition 22 Command Output 1:
	(2 x 14 Characters)	002 – Partition 22 Command Output 2:
		003 – Partition 22 Command Output 3:
		004 – Partition 22 Command Output 4:
	223 – Partition 23 Command Output Labels	001 – Partition 23 Command Output 1:
	(2 x 14 Characters)	002 – Partition 23 Command Output 2:
		003 – Partition 23 Command Output 3:
		004 – Partition 23 Command Output 4:
	224 – Partition 24 Command Output Labels	001 – Partition 24 Command Output 1:
	(2 x 14 Characters)	002 – Partition 24 Command Output 2:
		003 – Partition 24 Command Output 3:
		004 – Partition 24 Command Output 4:
	225 – Partition 25 Command Output Labels	001 – Partition 25 Command Output 1:
	(2 x 14 Characters)	002 – Partition 25 Command Output 2:
		003 – Partition 25 Command Output 3:
		004 – Partition 25 Command Output 4:

226 – Partition 26 Command Output Labels	001 – Partition 26 Command Output 1:
(2 x 14 Characters)	002 – Partition 26 Command Output 2:
	003 – Partition 26 Command Output 3:
	004 – Partition 26 Command Output 4:
227 – Partition 27 Command Output Labels	001 – Partition 27 Command Output 1:
(2 x 14 Characters)	002 – Partition 27 Command Output 2:
	003 – Partition 27 Command Output 3:
	004 – Partition 27 Command Output 4:
228 – Partition 28 Command Output Labels	001 – Partition 28 Command Output 1:
(2 x 14 Characters)	002 – Partition 28 Command Output 2:
	003 – Partition 28 Command Output 3:
	004 – Partition 28 Command Output 4:
229 – Partition 29 Command Output Labels	001 – Partition 29 Command Output 1:
(2 x 14 Characters)	002 – Partition 29 Command Output 2:
	003 – Partition 29 Command Output 3:
	004 – Partition 29 Command Output 4:
230 – Partition 30 Command Output Labels	001 – Partition 30 Command Output 1:
(2 x 14 Characters)	002 – Partition 30 Command Output 2:
	003 – Partition 30 Command Output 3:
	004 – Partition 30 Command Output 4:
231 – Partition 31 Command Output Labels	001 – Partition 31 Command Output 1:
(2 x 14 Characters)	002 – Partition 31 Command Output 2:
	003 – Partition 31 Command Output 3:
	004 – Partition 31 Command Output 4:
232 – Partition 32 Command Output Labels	001 – Partition 32 Command Output 1:
(2 x 14 Characters)	002 – Partition 32 Command Output 2:
	003 – Partition 32 Command Output 3:
	004 – Partition 32 Command Output 4:
601 – Schedule 1 Label	(2 x 14 Characters):
Descriptions on [601]-[604] Schedule labels	

602 – Schedule 2 Label	(2 x 14 Characters):
603 – Schedule 3 Label	(1 X 16 Characters):
604 – Schedule 4 Label	(1 X 16 Characters):

[000]	801 – Keypad Labels (1 X 14 Characters) Description on [801] Keypad labels	
	001 – Keypad 1 Label:	017 – Keypad 17 Label:
	002 – Keypad 2 Label:	018 – Keypad 18 Label:
	003 – Keypad 3 Label:	019 – Keypad 19 Label:
	004 – Keypad 4 Label:	020 – Keypad 20 Label:
	005 – Keypad 5 Label:	021 – Keypad 21 Label:
	006 – Keypad 6 Label:	022 – Keypad 22 Label:
	007 – Keypad 7 Label:	023 – Keypad 23 Label:
	008 – Keypad 8 Label:	024 – Keypad 24 Label:
	009 – Keypad 9 Label:	025 – Keypad 25 Label:
	010 – Keypad 10 Label:	026 – Keypad 26 Label:
	011 – Keypad 11 Label:	027 – Keypad 27 Label:
	012 – Keypad 12 Label:	028 – Keypad 28 Label:
	013 – Keypad 13 Label:	029 – Keypad 29 Label:
	014 – Keypad 14 Label:	030 – Keypad 30 Label:
	015 – Keypad 15 Label:	031 – Keypad 31 Label:
	016 – Keypad 16 Label:	032 – Keypad 32 Label:
	802 – HSM2108 Zone Expander Label Description on [803][001]-[016] HSM2208 Output expander label	
	001 – Zone Expander 1 Label:	016 – Zone Expander 16 Label:
	002 – Zone Expander 2 Label:	017 – Zone Expander 17 Label:
	003 – Zone Expander 3 Label:	018 – Zone Expander 18 Label:
	004 – Zone Expander 4 Label:	019 – Zone Expander 19 Label:
	005 – Zone Expander 5 Label:	020 – Zone Expander 20 Label:
	006 – Zone Expander 6 Label:	021 – Zone Expander 21 Label:
	007 – Zone Expander 7 Label:	022 – Zone Expander 22 Label:
	008 – Zone Expander 8 Label:	023 – Zone Expander 23 Label:
	009 – Zone Expander 9 Label:	024 – Zone Expander 24 Label:
	010 – Zone Expander 10 Label:	025 – Zone Expander 25 Label:
	011 – Zone Expander 11 Label:	026 – Zone Expander 26 Label:
	012 – Zone Expander 12 Label:	027 – Zone Expander 27 Label:

	013 – Zone Expander 13 Label:	028 – Zone Expander 28 Label:
	014 – Zone Expander 14 Label:	029 – Zone Expander 29 Label:
	015 – Zone Expander 15 Label:	030 – Zone Expander 30 Label:
803 – HSM2208 Output Expander Label (1 X 14 ASCII)		
Description on [803][001]-[016] HSM2208 Output expander label		
	001 – Output Expander 1 Label:	009 – Output Expander 9 Label:
	002 – Output Expander 2 Label:	010 – Output Expander 10 Label:
	003 – Output Expander 3 Label:	011 – Output Expander 11 Label:
	004 – Output Expander 4 Label:	012 – Output Expander 12 Label:
	005 – Output Expander 5 Label:	013 – Output Expander 13 Label:
	006 – Output Expander 6 Label:	014 – Output Expander 14 Label:
	007 – Output Expander 7 Label:	015 – Output Expander 15 Label:
	008 – Output Expander 8 Label:	016 – Output Expander 16 Label:
804 – HSM3408 8 I/O Expansion Label (1 X 14 ASCII)		
Description on [804][001]-[030] HSM3408 8 zone expander label		
	001 – 8 I/O Expansion 1 Label:	016 – 8 I/O Expansion 16 Label:
	002 – 8 I/O Expansion 2 Label:	017 – 8 I/O Expansion 17 Label:
	003 – 8 I/O Expansion 3 Label:	018 – 8 I/O Expansion 18 Label:
	004 – 8 I/O Expansion 4 Label:	019 – 8 I/O Expansion 19 Label:
	005 – 8 I/O Expansion 5 Label:	020 – 8 I/O Expansion 20 Label:
	006 – 8 I/O Expansion 6 Label:	021 – 8 I/O Expansion 21 Label:
	007 – 8 I/O Expansion 7 Label:	022 – 8 I/O Expansion 22 Label:
	008 – 8 I/O Expansion 8 Label:	023 – 8 I/O Expansion 23 Label:
	009 – 8 I/O Expansion 9 Label:	024 – 8 I/O Expansion 24 Label:
	010 – 8 I/O Expansion 10 Label:	025 – 8 I/O Expansion 25 Label:
	011 – 8 I/O Expansion 11 Label:	026 – 8 I/O Expansion 26 Label:
	012 – 8 I/O Expansion 12 Label:	027 – 8 I/O Expansion 27 Label:
	013 – 8 I/O Expansion 13 Label:	028 – 8 I/O Expansion 28 Label:
	014 – 8 I/O Expansion 14 Label:	029 – 8 I/O Expansion 29 Label:
	015 – 8 I/O Expansion 15 Label:	030 – 8 I/O Expansion 30 Label:

[000]	806 – HSM2HOSTx Label (1 X 14 Characters)	
	Description on [806] HSM2HOSTx PowerG transceiver label	
	808 – HSM2955 Audio Module Label:	
	809 – HSM2300 Power Supply Label (1 X 14 Characters)	
	001 – Power Supply 1 Label:	

	002 – Power Supply 2 Label:	
	003 – Power Supply 3 Label:	
	004 – Power Supply 4 Label:	
	810 – HSM2204 High-Current Output Supply Label (1 X 14 Characters)	
	Description on [810][001]-[004] HS2204 high-current output supply label	
	001 – High-Current Output Supply 1 Label:	
	002 – High-Current Output Supply 2 Label:	
	003 – High-Current Output Supply 3 Label:	
	004 – High-Current Output Supply 4 Label:	
	811 – HSM3350 3A Power Supply Label (1 X 14 Characters)	
	001 – 3A Power Supply 1 Label:	
	002 – 3A Power Supply 2 Label:	
	003 – 3A Power Supply 3 Label:	
	004 – 3A Power Supply 4 Label:	
	812 – HSM3204CX Corbus Repeater Label (1 X 14 Characters):	
	001 – Corbus Repeater 1 Label:	
	002 – Corbus Repeater 2 Label:	
	003 – Corbus Repeater 3 Label:	
	004 – Corbus Repeater 4 Label:	
	005 – Corbus Repeater 5 Label:	
	006 – Corbus Repeater 6 Label:	
	007 – Corbus Repeater 7 Label:	
	008 – Corbus Repeater 8 Label:	
	009 – Corbus Repeater 9 Label:	
	010 – Corbus Repeater 10 Label:	
	011 – Corbus Repeater 11 Label:	
	012 – Corbus Repeater 12 Label:	
	013 – Corbus Repeater 13 Label:	
	014 – Corbus Repeater 14 Label:	

	015 – Corbus Repeater 15 Label:	
	016 – Corbus Repeater 16 Label:	
	815 – Alt. Comm Label (1 X 14 ASCII): Description on [815] Alternate communicator label	

[000]	820 – Siren Labels	
	001 – Siren 1 Label:	009 – Siren 9 Label:
	002 – Siren 2 Label:	010 – Siren 10 Label:
	003 – Siren 3 Label:	011 – Siren 11 Label:
	004 – Siren 4 Label:	012 – Siren 12 Label:
	005 – Siren 5 Label:	013 – Siren 13 Label:
	006 – Siren 6 Label:	014 – Siren 14 Label:
	007 – Siren 7 Label:	015 – Siren 15 Label:
	008 – Siren 8 Label:	016 – Siren 16 Label:

[000]	821 – Repeater Label (1 X 14 Characters) Description on [821][001]-[008] Repeater labels	
	001 – Repeater 1 Label:	
	002 – Repeater 2 Label:	
	003 – Repeater 3 Label:	
	004 – Repeater 4 Label:	
	005 – Repeater 5 Label:	
	006 – Repeater 6 Label:	
	007– Repeater 7 Label:	
	008– Repeater 8 Label:	

[000]	999 – Default Labels Description on [999][Installer Code][999] Default labels
-------	---

Zone Setup

[001]	[001 - 248] Zone Type		
	Available Zone Types Default = 000 Description on [001] zone types * Not UL evaluated		
	000 - Null Zone 001 - Delay 1 002 - Delay 2 003 - Instant 004 - Interior 005 - Interior Stay/ Away 006 - Delay Stay/Away 007 - Delayed 24-Hour Fire 008 - Standard 24-Hour Fire 009 - Instant Stay/ Away 010 - Interior Delay 011 - Day Zone 012 - Night Zone 016 - Final Door Set 017 - 24-Hour Burglary	018 - 24-Hour Bell/ Buzzer 023 - 24-Hour Supervisory 024 - 24-Hour Supervisory Buzzer 025 - Auto Verified Fire 027 - Fire Supervisory 040 - 24-Hour Gas 041 - 24-Hour CO 042 - 24-Hour Holdup* 043 - 24-Hour Panic 045 - 24-Hour Heat 046 - 24-Hour Medical 047 - 24-Hour Emergency 048 - 24-Hour Sprinkler* 049 - 24-Hour Flood	051 - 24-Hour Latching Tamper 052 - 24-Hour Non- Alarm 056 - 24-Hour High Temperature 057 - 24 Hour Low Temperature 060 - 24-Hour Non- Latching Tamper 061 - 24-Hour Anti- Masking 066 - Momentary Keyswitch Arm 067 - Maintained Keyswitch Arm 068 - Momentary Keyswitch Disarm 069 - Maintained Keyswitch Disarm 071 - Door Bell 072 - Push to Set

[002]	[001 - 248] Zone Attributes			
	Available Zone Attributes See next page for defaults Description on [002] Zone attributes			
	1 - Bell Audible 2 - Bell Steady 3 - Door Chime 4 - Bypass Enabled	5 - Force Arm 6 - Swinger Shutdown 7 - Transmission Delay 8 - Burglary Verification	9 - Normally Close 10 - Single EOL 11 - Double EOL 12 - Fast/Normal Loop Response	13 - Zone 2-way Audio Activation 14 - Hold Up Verification 15 - Triple EOL

Zone Attribute Defaults

Description on [\[002\] Zone attributes](#)

Zone Attributes			
1 - Bell Audible	5 - Force Arm	9 - Normally Closed EOL	13 - Zone 2-way Audio Activation
2 - Bell Steady	6 - Swinger Shutdown	10 - Single EOL	14 - Hold Up Verification
3 - Chime Function	7 - Transmission Delay	11 - Double EOL	15 - Triple EOL
4 - Bypass Enabled	8 - Burglary Verification	12 - Fast/Normal Loop Response	

Zone Type		1	2	3	4	5	6	7	8	9	10	11	12	13	14	15
000	Null Zone															
001	Delay 1	✓	✓	✓	✓		✓	CP-01 ✓	✓							
002	Delay 2	✓	✓	✓	✓		✓	CP-01 ✓	✓							
003	Instant	✓	✓	✓	✓		✓	CP-01 ✓	✓							
004	Interior	✓	✓		✓		✓	CP-01 ✓	✓							
005	Interior Stay/Away	✓	✓		✓	✓	✓	CP-01 ✓	✓							
006	Delay Stay/Away	✓	✓		✓	✓	✓	CP-01 ✓	✓							

Zone Type		1	2	3	4	5	6	7	8	9	10	11	12	13	14	15
007	Delayed 24-Hour Fire	✓														
008	Standard 24-Hour Fire	✓														
009	Instant Stay/Away	✓	✓		✓		✓	CP-01 ✓	✓							
010	Interior Delay	✓	✓		✓		✓	CP-01 ✓	✓							
011	Day Zone	✓	✓		✓	✓	✓	✓	✓							
012	Night Zone	✓	✓		✓	✓	✓		✓							
016	Final Door Set	✓	✓	✓	✓		CP-01 ✓	CP-01 ✓	✓							
017	24-Hour Burglary	✓	✓		✓		CP-01 ✓	CP-01 ✓	✓							
018	24-Hour Bell/ Buzzer	✓	✓		✓		CP-01 ✓	CP-01 ✓	✓							
023	24-Hour Supervisory		✓			✓	CP-01 ✓									
024	24-Hour Supervisory Buzzer		✓		✓		CP-01 ✓	CP-01 ✓								
025	Auto Verify Fire	✓														
027	Fire Supervisory															
040	24-Hour Gas	✓					CP-01 ✓	CP-01 ✓								
041	24-Hour CO	✓														
042	24-Hour Holdup		✓			✓	CP-01 ✓	CP-01 ✓								✓
043	24-Hour Panic	✓	✓				CP-01 ✓	CP-01 ✓								
045	24-Hour Heat	✓					CP-01 ✓									
046	24-Hour Medical	✓	✓				CP-01 ✓	CP-01 ✓								
047	24-Hour Emergency	✓	✓				CP-01 ✓	CP-01 ✓								

Zone Type		1	2	3	4	5	6	7	8	9	10	11	12	13	14	15
048	24-Hour Sprinkler	✓	✓				CP-01 ✓	CP-01 ✓								
049	24-Hour Flood	✓	✓				CP-01 ✓	CP-01 ✓								
051	24-Hour Latching Tamper	✓	✓				CP-01 ✓	CP-01 ✓								
052	24-Hour Non-Alarm					✓										
056	24 Hour High Temperature	✓	✓		✓		CP-01 ✓	CP-01 ✓								
057	24 Hour Low Temperature	✓	✓		✓		CP-01 ✓	CP-01 ✓								
060	24-Hr Non-Latching Tamper	✓	✓				CP-01 ✓	CP-01 ✓								
061	24-Hr Anti-Masking				✓											
066	Momentary Keyswitch Arm					✓										
067	Maintained Keyswitch Arm					✓										
068	Momentary Keyswitch Disarm					✓										
069	Maintained Keyswitch Disarm					✓										
071	Door Bell			✓		✓										
072	Push to Set					✓										

End Of Line Resistance

[004] End of Line Resistance description on [004] End of line resistance	
001 – Single EOL	Alarm (Default 5.6 kΩ) Valid range: 0.5 kΩ to 28 kΩ (005 to 280)
002 – Double EOL	Alarm (Default 5.6 kΩ) Valid range: 0.5 kΩ to 15 kΩ (005 -150)
	Tamper (Default 5.6 kΩ) Valid range: 0.5 kΩ to 15 kΩ (005 -150)
003 –Triple EOL	Alarm (Default 5.6 kΩ) Valid range: 0.5 kΩ to 7.5 kΩ (005 -075)
	Tamper (Default 5.6 kΩ) Valid range: 0.5 kΩ to 7.5 kΩ (005 -075)

System Times

[005] System Times description on [005] System times	
000 – System Area	Bell Cutoff (Default: 004 minutes):
(3-Digit Decimal)	Bell Delay Time (Default: 000 minutes):
	Burglary Verification Timer (Default: 060 minutes):
	Holdup Verification Timer (Default: 008 hours):
	Zone Loop Response Time (Default: 025 x 10 ms):
	Automatic Clock Adjust (Default: 060 seconds):
001 – Partition 1 Timer	Entry Delay 1 (Default: 030):
	Entry Delay 2 (Default: 045):
	Exit Delay (Default: 120):
	Settle Delay (Default: 010):
002 – Partition 2 Timer	Entry Delay 1:
See partition 1 for defaults	Entry Delay 2:
	Exit Delay:
	Settle Delay:
003 – Partition 3 Timer	Entry Delay 1:
See partition 1 for defaults	Entry Delay 2:
	Exit Delay:
	Settle Delay:
004 – Partition 4 Timer	Entry Delay 1:
See partition 1 for defaults	Entry Delay 2:

[005] System Times description on [005] System times	
	Exit Delay:
	Settle Delay:
005 – Partition 5 Timer	Entry Delay 1:
See partition 1 for defaults	Entry Delay 2:
	Exit Delay:
	Settle Delay:
006 – Partition 6 Timer	Entry Delay 1:
See partition 1 for defaults	Entry Delay 2:
	Exit Delay:
	Settle Delay:
007 – Partition 7 Timer	Entry Delay 1:
See partition 1 for defaults	Entry Delay 2:
	Exit Delay:
	Settle Delay:
008 – Partition 8 Timer	Entry Delay 1:
See partition 1 for defaults	Entry Delay 2:
	Exit Delay:
	Settle Delay
009 – Partition 9 Timer	Entry Delay 1:
See partition 1 for defaults	Entry Delay 2:
	Exit Delay:
	Settle Delay
010 – Partition 10 Timer	Entry Delay 1:
See partition 1 for defaults	Entry Delay 2:
	Exit Delay:
	Settle Delay
011 – Partition 11 Timer	Entry Delay 1:
See partition 1 for defaults	Entry Delay 2:
	Exit Delay:
	Settle Delay
012 – Partition 12 Timer	Entry Delay 1:
See partition 1 for defaults	Entry Delay 2:
	Exit Delay:
	Settle Delay
013 – Partition 13 Timer	Entry Delay 1:
See partition 1 for defaults	Entry Delay 2:

[005] System Times description on [005] System times	
	Exit Delay:
	Settle Delay
014 – Partition 14 Timer	Entry Delay 1:
See partition 1 for defaults	Entry Delay 2:
	Exit Delay:
	Settle Delay
015 – Partition 15 Timer	Entry Delay 1:
See partition 1 for defaults	Entry Delay 2:
	Exit Delay:
	Settle Delay
016 – Partition 16 Timer	Entry Delay 1:
See partition 1 for defaults	Entry Delay 2:
	Exit Delay:
	Settle Delay
017 – Partition 17 Timer	Entry Delay 1:
See partition 1 for defaults	Entry Delay 2:
	Exit Delay:
	Settle Delay
018 – Partition 18 Timer	Entry Delay 1:
See partition 1 for defaults	Entry Delay 2:
	Exit Delay:
	Settle Delay
019 – Partition 19 Timer	Entry Delay 1:
See partition 1 for defaults	Entry Delay 2:
	Exit Delay:
	Settle Delay
020 – Partition 20 Timer	Entry Delay 1:
See partition 1 for defaults	Entry Delay 2:
	Exit Delay:
	Settle Delay
021 – Partition 21 Timer	Entry Delay 1:
See partition 1 for defaults	Entry Delay 2:
	Exit Delay:
	Settle Delay
022 – Partition 22 Timer	Entry Delay 1:
See partition 1 for defaults	Entry Delay 2:

[005] System Times description on [005] System times	
	Exit Delay:
	Settle Delay
023 – Partition 23 Timer	Entry Delay 1:
See partition 1 for defaults	Entry Delay 2:
	Exit Delay:
	Settle Delay
024 – Partition 24 Timer	Entry Delay 1:
See partition 1 for defaults	Entry Delay 2:
	Exit Delay:
	Settle Delay
025 – Partition 25 Timer	Entry Delay 1:
See partition 1 for defaults	Entry Delay 2:
	Exit Delay:
	Settle Delay
026 – Partition 26 Timer	Entry Delay 1:
See partition 1 for defaults	Entry Delay 2:
	Exit Delay:
	Settle Delay
027 – Partition 27 Timer	Entry Delay 1:
See partition 1 for defaults	Entry Delay 2:
	Exit Delay:
	Settle Delay
028 – Partition 28 Timer	Entry Delay 1:
See partition 1 for defaults	Entry Delay 2:
	Exit Delay:
	Settle Delay
029 – Partition 29 Timer	Entry Delay 1:
See partition 1 for defaults	Entry Delay 2:
	Exit Delay:
	Settle Delay
030 – Partition 30 Timer	Entry Delay 1:
See partition 1 for defaults	Entry Delay 2:
	Exit Delay:
	Settle Delay
031 – Partition 31 Timer	Entry Delay 1:
See partition 1 for defaults	Entry Delay 2:

[005] System Times description on [005] System times	
	Exit Delay:
	Settle Delay
032 – Partition 32 Timer	Entry Delay 1:
See partition 1 for defaults	Entry Delay 2:
	Exit Delay:
	Settle Delay
900 - Bell Delay Partition Mask	1 2 3 4 5 6 7 8
Default: All partitions on	YYYYYYYY
901 – Daylight Savings Begin	Month (Default: 003):
	Week (Default: 002):
	Day (Default : 000):
	Hour (Default: 002):
	Increment (Default : 001):
902 – Daylight Savings End	Month(Default: 011)
	Week (Default: 001):
	Day (Default: 000):
	Hour (Default: 002):
	Increment (Default : 001):

Access Codes

[006] Installer-Defined Codes			
(4/6/8-Digit Decimal)	001 – Installer Code	(Default:55555555)	
(4/6/8-Digit Decimal)	002 – Master Code	(Default:12345678)	
(4/6/8-Digit Decimal)	003 – Maintenance Code	(Default: AAAAAAAA)	
(000-255)	005 – Code Version	(Default:000)	

PGM Programming

[007] [000 - 356] PGM Programming								
[000] – Main Bell Partition Assignment	1	2	3	4	5	6	7	8>
	Y	N	N	N	N	N	N	N
[001 – 356] PGM Partition Assignment. Default: Partition 1 on. All others off. Description on [008] PGM Timer Programming	1	2	3	4	5	6	7	8>
	Y	N	N	N	N	N	N	N

[008] [000 - 356 PGM Timer Programming]					
[000] - PGM Timers Minutes or Seconds:			<input type="checkbox"/> Minutes <input type="checkbox"/> Seconds		
[001 - 356]: PGM 1 to 356					
(3-Digit Decimal)					
Valid Range: 001-255; Default: 005					
Description on [008] PGM Timer Programming					
	PGM		Zone Follower by Zone (000-248; Default 000)	Prox. Used (000-095; Default 000)	Schedule (000-004; Default 000)
Alarm Panel	001	PGM 1			
	002	PGM 2			
	003	PGM 3			
	004	PGM 4			
HSM2204 #1	005	PGM 5			
	006	PGM 6			
	007	PGM 7			
	008	PGM 8			
HSM2204 #2	009	PGM 9			
	010	PGM 10			
	011	PGM 11			
	012	PGM 12			
HSM2204 #3	013	PGM 13			
	014	PGM 14			
	015	PGM 15			
	016	PGM 16			
HSM2204 #4	017	PGM 17			
	018	PGM 18			
	019	PGM 19			
	020	PGM 20			
HSM2208 #1	037	PGM 37			
	038	PGM 38			
	039	PGM 39			
	040	PGM 40			
	041	PGM 41			

[008] [000 - 356 PGM Timer Programming					
	042	PGM 42			
	043	PGM 43			
	044	PGM 44			
HSM2208 #2	045	PGM 45			
	046	PGM 46			
	047	PGM 47			
	048	PGM 48			
	049	PGM 49			
	050	PGM 50			
	051	PGM 51			
	052	PGM 52			
HSM2208 #3	053	PGM 53			
	054	PGM 54			
	055	PGM 55			
	056	PGM 56			
	057	PGM 57			
	058	PGM 58			
	059	PGM 59			
	060	PGM 60			
HSM2208 #4	061	PGM 61			
	062	PGM 62			
	063	PGM 63			
	064	PGM 64			
	065	PGM 65			
	066	PGM 66			
	067	PGM 67			
	068	PGM 68			
HSM2208 #5	069	PGM 69			
	070	PGM 70			
	071	PGM 71			
	072	PGM 72			

[008] [000 - 356 PGM Timer Programming]					
	073	PGM 73			
	074	PGM 74			
	075	PGM 75			
	076	PGM 76			
HSM2208 #6	077	PGM 77			
	078	PGM 78			
	079	PGM 79			
	080	PGM 80			
	081	PGM 81			
	082	PGM 82			
	083	PGM 83			
	084	PGM 84			
HSM2208 #7	085	PGM 85			
	086	PGM 86			
	087	PGM 87			
	088	PGM 88			
	089	PGM 89			
	090	PGM 90			
	091	PGM 91			
	092	PGM 92			
HSM2208 #8	093	PGM 93			
	094	PGM 94			
	095	PGM 95			
	096	PGM 96			
	097	PGM 97			
	098	PGM 98			
	099	PGM 99			
	100	PGM 100			
HSM2208 #9	101	PGM 101			
	102	PGM 102			
	103	PGM 103			
	104	PGM 104			
	105	PGM 105			
	106	PGM 106			

[008] [000 - 356 PGM Timer Programming					
	107	PGM 107			
	108	PGM 108			
HSM2208 #10	109	PGM 109			
	110	PGM 110			
	111	PGM 111			
	112	PGM 112			
	113	PGM 113			
	114	PGM 114			
	115	PGM 115			
	116	PGM 116			
HSM2208 #11	117	PGM 117			
	118	PGM 118			
	119	PGM 119			
	120	PGM 120			
	121	PGM 121			
	122	PGM 122			
	123	PGM 123			
	124	PGM 124			
HSM2208 #12	125	PGM 125			
	126	PGM 126			
	127	PGM 127			
	128	PGM 128			
	129	PGM 129			
	130	PGM 130			
	131	PGM 131			
	132	PGM 132			
HSM2208 #13	133	PGM 133			
	134	PGM 134			
	135	PGM 135			
	136	PGM 136			
	137	PGM 137			
	138	PGM 138			
	139	PGM 139			
	140	PGM 140			

[008] [000 - 356 PGM Timer Programming					
HSM2208 #14	141	PGM 141			
	142	PGM 142			
	143	PGM 143			
	144	PGM 144			
	145	PGM 145			
	146	PGM 146			
	147	PGM 147			
	148	PGM 148			
HSM2208 #15	149	PGM 149			
	150	PGM 150			
	151	PGM 151			
	152	PGM 152			
	153	PGM 153			
	154	PGM 154			
	155	PGM 155			
	156	PGM 156			
HSM2208 #16	157	PGM 157			
	158	PGM 158			
	159	PGM 159			
	160	PGM 160			
	161	PGM 161			
	162	PGM 162			
	163	PGM 163			
	164	PGM 164			
HSM3204CX #17	293	PGM 293			
	294	PGM 294			
	295	PGM 295			
	296	PGM 296			
	297	PGM 297			
	298	PGM 298			
	299	PGM 299			
	300	PGM 300			
	301	PGM 301			

[008] [000 - 356 PGM Timer Programming					
	302	PGM 302			
	303	PGM 303			
	304	PGM 304			
	305	PGM 305			
	306	PGM 306			
	307	PGM 307			
	308	PGM 308			
	309	PGM 309			
	310	PGM 310			
	311	PGM 311			
	312	PGM 312			
	313	PGM 313			
	314	PGM 314			
	315	PGM 315			
	316	PGM 316			
	317	PGM 317			
	318	PGM 318			
	319	PGM 319			
	320	PGM 320			
	321	PGM 321			
	322	PGM 322			
	323	PGM 323			
	324	PGM 324			
	325	PGM 325			
	326	PGM 326			
	327	PGM 327			
	328	PGM 328			
	329	PGM 329			
	330	PGM 330			
	331	PGM 331			
	332	PGM 332			
	333	PGM 333			
	334	PGM 334			
	335	PGM 335			

[008] [000 - 356 PGM Timer Programming					
	336	PGM 336			
	337	PGM 337			
	338	PGM 338			
	339	PGM 339			
	340	PGM 340			
	341	PGM 341			
	342	PGM 342			
	343	PGM 343			
	344	PGM 344			
	345	PGM 345			
	346	PGM 346			
	347	PGM 347			
	348	PGM 348			
	349	PGM 349			
	350	PGM 350			
	351	PGM 351			
	352	PGM 352			
	353	PGM 353			
	354	PGM 354			
	355	PGM 355			
	356	PGM 356			

[009] [001] - [164] PGM Types				
	100 - Null PGM	121 - Command Output 1	156 - Latched System Event	205 - Follower-Zones 33-40
	101 - Burg and Fire Bell Follower	122 - Command Output 2	157 - System Tamper	206 - Follower-Zones 41-48
	102 - Delayed Fire/ Burg	123 - Command Output 3	161 - DC Trouble	207 - Follower-Zones 49-56
	103 - Sensor Reset[*][7][2]	124 - Command Output 4	165 - Prox Used	208 - Follower-Zones 57-64
	104 - 2-Wire Smoke	129 - Partition Status Alarm Memory	166 - Partition Prox Used	209 - Follower-Zones 65-72

[009] [001] - [164] PGM Types					
	107 - External Siren	132 - Holdup Output	175 - Bell Status and Programming Access Output	210 - Follower-Zones 73-80	
	109 - Courtesy Pulse	134 - 24Hr Silent	176 - Remote Operation	211 - Follower-Zones 81-88	
	111 - Keypad Buzzer Follow	135 - 24Hr Audible Input	184 - Open After Alarm	212 - Follower-Zones 89-96	
	114 - Ready To Arm	146 - TLM and Alarm	200 - Zone Follower	213 - Follower-Zones 97-104	
	115 - System Armed Status	147 - Kisoﬀ	201 - Follower-Zones 1-8	214 - Follower-Zones 105-112	
	116 - Away Armed Status	148 - Ground Start	202 - Follower-Zones 9-16	215 - Follower-Zones 113-120	
	117 - Stay Armed Status	149 - Alt. Communicator	203 - Follower-Zones 17-24	216 - Follower-Zones 120-128	
	120 - Away Armed/no Bypass Status	155 - System Trouble	204 - Follower-Zones 25-32		
<p>(3-Digit Decimal)</p> <p>Valid Range: 001-216</p> <p>001 Default: 121 Command Output 1</p> <p>002 Default: 156 System Event</p> <p>003 - 324 Default: 101 Burg and Fire Bell Follower</p> <p>Description on 101 - Burglary and Fire Bell Follower</p>					
	PGM		Zone Follower by Zone (000-248; Default 000)	Prox. Used (000-095; Default 000)	Schedule (000-004; Default 000)
Alarm Panel	001	PGM 1			
	002	PGM 2			
	003	PGM 3			
	004	PGM 4			
HSM2204 #1	005	PGM 5			
	006	PGM 6			
	007	PGM 7			
	008	PGM 8			

[009] [001] - [164] PGM Types					
HSM2204 #2	009	PGM 9			
	010	PGM 10			
	011	PGM 11			
	012	PGM 12			
HSM2204 #3	013	PGM 13			
	014	PGM 14			
	015	PGM 15			
	016	PGM 16			
HSM2204 #4	017	PGM 17			
	018	PGM 18			
	019	PGM 19			
	020	PGM 20			
HSM2208 #1	037	PGM 37			
	038	PGM 38			
	039	PGM 39			
	040	PGM 40			
	041	PGM 41			
	042	PGM 42			
	043	PGM 43			
	044	PGM 44			
HSM2208 #2	045	PGM 45			
	046	PGM 46			
	047	PGM 47			
	048	PGM 48			
	049	PGM 49			
	050	PGM 50			
	051	PGM 51			
	052	PGM 52			

[009] [001] - [164] PGM Types					
HSM2208 #3	053	PGM 53			
	054	PGM 54			
	055	PGM 55			
	056	PGM 56			
	057	PGM 57			
	058	PGM 58			
	059	PGM 59			
	060	PGM 60			
HSM2208 #4	061	PGM 61			
	062	PGM 62			
	063	PGM 63			
	064	PGM 64			
	065	PGM 65			
	066	PGM 66			
	067	PGM 67			
	068	PGM 68			
HSM2208 #5	069	PGM 69			
	070	PGM 70			
	071	PGM 71			
	072	PGM 72			
	073	PGM 73			
	074	PGM 74			
	075	PGM 75			
	076	PGM 76			
HSM2208 #6	077	PGM 77			
	078	PGM 78			
	079	PGM 79			
	080	PGM 80			
	081	PGM 81			
	082	PGM 82			
	083	PGM 83			
	084	PGM 84			

[009] [001] - [164] PGM Types					
HSM2208 #7	085	PGM 85			
	086	PGM 86			
	087	PGM 87			
	088	PGM 88			
	089	PGM 89			
	090	PGM 90			
	091	PGM 91			
	092	PGM 92			
HSM2208 #8	093	PGM 93			
	094	PGM 94			
	095	PGM 95			
	096	PGM 96			
	097	PGM 97			
	098	PGM 98			
	099	PGM 99			
	100	PGM 100			
HSM2208 #9	101	PGM 101			
	102	PGM 102			
	103	PGM 103			
	104	PGM 104			
	105	PGM 105			
	106	PGM 106			
	107	PGM 107			
	108	PGM 108			
HSM2208 #10	109	PGM 109			
	110	PGM 110			
	111	PGM 111			
	112	PGM 112			
	113	PGM 113			
	114	PGM 114			
	115	PGM 115			
	116	PGM 116			

[009] [001] - [164] PGM Types					
HSM2208 #11	117	PGM 117			
	118	PGM 118			
	119	PGM 119			
	120	PGM 120			
	121	PGM 121			
	122	PGM 122			
	123	PGM 123			
	124	PGM 124			
HSM2208 #12	125	PGM 125			
	126	PGM 126			
	127	PGM 127			
	128	PGM 128			
	129	PGM 129			
	130	PGM 130			
	131	PGM 131			
	132	PGM 132			
HSM2208 #13	133	PGM 133			
	134	PGM 134			
	135	PGM 135			
	136	PGM 136			
	137	PGM 137			
	138	PGM 138			
	139	PGM 139			
	140	PGM 140			
HSM2208 #14	141	PGM 141			
	142	PGM 142			
	143	PGM 143			
	144	PGM 144			
	145	PGM 145			
	146	PGM 146			
	147	PGM 147			
	148	PGM 148			

[009] [001] - [164] PGM Types					
HSM2208 #15	149	PGM 149			
	150	PGM 150			
	151	PGM 151			
	152	PGM 152			
	153	PGM 153			
	154	PGM 154			
	155	PGM 155			
	156	PGM 156			
HSM2208 #16	157	PGM 157			
	158	PGM 158			
	159	PGM 159			
	160	PGM 160			
	161	PGM 161			
	162	PGM 162			
	163	PGM 163			
	164	PGM 164			

[009] [001] - [164] PGM Types					
HSM3204CX#1 7	294	PGM 294			
	295	PGM 295			
	296	PGM 296			
	297	PGM 297			
	298	PGM 298			
	299	PGM 299			
	300	PGM 300			
	301	PGM 301			
	302	PGM 302			
	303	PGM 303			
	304	PGM 304			
	305	PGM 305			
	306	PGM 306			
	307	PGM 307			
	308	PGM 308			
	309	PGM 309			
	310	PGM 310			
	311	PGM 311			
	312	PGM 312			
	313	PGM 313			
	314	PGM 314			
	315	PGM 315			
	316	PGM 316			
	317	PGM 317			
	318	PGM 318			
		319	PGM 319		
		320	PGM 320		
		321	PGM 321		
		322	PGM 322		
		323	PGM 323		
		324	PGM 324		
		325	PGM 325		
	326	PGM 326			
	327	PGM 327			

[009] [001] - [164] PGM Types					
	328	PGM 328			
	329	PGM 329			
	330	PGM 330			
	331	PGM 331			
	332	PGM 332			
	333	PGM 333			
	334	PGM 334			
	335	PGM 335			
	336	PGM 336			
	337	PGM 337			
	338	PGM 338			
	339	PGM 339			
	340	PGM 340			
	341	PGM 341			
	342	PGM 342			
	343	PGM 343			
	344	PGM 344			
	345	PGM 345			
	346	PGM 346			
	347	PGM 347			
	348	PGM 348			
	349	PGM 349			
	350	PGM 350			
	351	PGM 351			
	352	PGM 352			
	353	PGM 353			
	354	PGM 354			
	355	PGM 355			
	356	PGM 356			

[010] [000 - 164] PGM Attributes			
[000] – Main Bell Mask Description on [010] PGM Attributes	<input checked="" type="checkbox"/> 01 – Fire Alarm <input checked="" type="checkbox"/> 02 – CO Alarm <input checked="" type="checkbox"/> 03 – Burglary Alarm <input checked="" type="checkbox"/> 04 – Flood Alarm <input checked="" type="checkbox"/> 05 – Bell Squawks		
001-164 PGM Attributes			
PGM 1-164:	100 – Null PGM		
	101 – Fire and Burglary	<input checked="" type="checkbox"/> 01 – True Output	
	102 – Delay Fire and Burg	<input checked="" type="checkbox"/> 01 – True Output	
	103 – Sensor Reset [*] [7][2]	<input type="checkbox"/> 03 – Code Required	
	107 - External Siren	<input checked="" type="checkbox"/> 01 – True Output	
	109 – Courtesy Pulse	<input checked="" type="checkbox"/> 01 – True Output	
	111 – Keypad Buzzer Follow	<input checked="" type="checkbox"/> 01 – True Output <input type="checkbox"/> 02 – Timed Output <input checked="" type="checkbox"/> 09 – Entry Delay <input checked="" type="checkbox"/> 10 – Exit Delay <input checked="" type="checkbox"/> 11 – Door Chime <input checked="" type="checkbox"/> 12 – Keypad Buzzer Zone <input checked="" type="checkbox"/> 13 – Audible Exit Zone <input checked="" type="checkbox"/> 14 – Auto-Arm Pre-Alert	
	114 – Ready To Arm	<input checked="" type="checkbox"/> 01 – True Output	
	115 – Armed Status	<input checked="" type="checkbox"/> 01 – True Output	
	116 – Armed Away Mode	<input checked="" type="checkbox"/> 01 – True Output	
	117 – Armed Stay Mode	<input checked="" type="checkbox"/> 01 – True Output	
	120 – Away Armed No Bypass	<input checked="" type="checkbox"/> 01 – True Output	

[010] [000 - 164] PGM Attributes			
	121 – Command Output 1	<input checked="" type="checkbox"/> 01 – True Output <input type="checkbox"/> 02 – Timed Output <input checked="" type="checkbox"/> 03 – Code Required	<input checked="" type="checkbox"/> Schedule 001
	122 – Command Output 2	<input checked="" type="checkbox"/> 01 – True Output <input type="checkbox"/> 02 – Timed Output <input type="checkbox"/> 03 – Code Required	<input checked="" type="checkbox"/> Schedule 001
	123 – Command Output 3	<input checked="" type="checkbox"/> 01 – True Output <input type="checkbox"/> 02 – Timed Output <input type="checkbox"/> 03 – Code Required	<input checked="" type="checkbox"/> Schedule 001
	124 – Command Output 4	<input checked="" type="checkbox"/> 01 – True Output <input type="checkbox"/> 02 – Timed Output <input type="checkbox"/> 03 – Code Required	<input checked="" type="checkbox"/> Schedule 001
	129 – Partition Status Alarm Memory	<input checked="" type="checkbox"/> 01 – True Output	
	132 – Holdup Output	<input checked="" type="checkbox"/> 01 – True Output <input type="checkbox"/> 02 – Timed Output	
	146 – TLM And Alarm	<input checked="" type="checkbox"/> 01 – True Output	
	147 – Kissonff Output	<input checked="" type="checkbox"/> 01 – True Output	
	148 – Ground Start	<input checked="" type="checkbox"/> 01 – True Output	

[010] [000 - 164] PGM Attributes

	149 - Alternate Communicator	<input checked="" type="checkbox"/> 01 - True Output <input checked="" type="checkbox"/> 02 - Timed Output <input type="checkbox"/> 04 - Fire Alarm <input type="checkbox"/> 05 - Panic Alarm <input type="checkbox"/> 06 - Burglary Alarm <input type="checkbox"/> 07 - Open/Close <input type="checkbox"/> 08 - Zone Auto Bypass <input type="checkbox"/> 09 - Medical Alarm <input type="checkbox"/> 10 - Burglary Verified <input type="checkbox"/> 11 - Open After Alarm <input type="checkbox"/> 12 - Emergency Alarm <input type="checkbox"/> 13 - Duress Alarm <input type="checkbox"/> 14 - Holdup Verified	
--	------------------------------	--	--

[010] [000 - 164] PGM Attributes			
	155 - System Trouble	<input checked="" type="checkbox"/> 01 - True Output <input type="checkbox"/> 02 - Timed Output <input checked="" type="checkbox"/> 04 - Service Required <input checked="" type="checkbox"/> 05 - Loss of Clock <input checked="" type="checkbox"/> 06 - DC Trouble <input checked="" type="checkbox"/> 07 - Bus Voltage <input checked="" type="checkbox"/> 08 - AC Trouble <input checked="" type="checkbox"/> 09 - Device Fault <input checked="" type="checkbox"/> 10 - Device Battery <input checked="" type="checkbox"/> 11 - Device Tamper <input checked="" type="checkbox"/> 12 - RF Delinquency <input checked="" type="checkbox"/> 13 - Module Supervisory <input checked="" type="checkbox"/> 14 - Module Tamper <input checked="" type="checkbox"/> 15 - Communications <input checked="" type="checkbox"/> 16 - Not Networked	

[010] [000 - 164] PGM Attributes

	156 - Latched System Event	<input checked="" type="checkbox"/> 01 - True Output <input type="checkbox"/> 02 - Timed Output <input checked="" type="checkbox"/> 04 - Fire Alarm <input checked="" type="checkbox"/> 05 - Panic Alarm <input checked="" type="checkbox"/> 06 - Burglary Alarm <input checked="" type="checkbox"/> 07 - Medical Alarm <input checked="" type="checkbox"/> 08 - Supervisory <input checked="" type="checkbox"/> 09 - Priority Event <input checked="" type="checkbox"/> 10 - Holdup <input checked="" type="checkbox"/> 11 - Duress Alarm <input checked="" type="checkbox"/> 12 - Emergency Alarm <input checked="" type="checkbox"/> 13 - Fire Supervisory <input checked="" type="checkbox"/> 14 - Fire Trouble <input checked="" type="checkbox"/> 15 - CO Alarm	
	157 - System Tamper	<input checked="" type="checkbox"/> 01 - True Output <input type="checkbox"/> 02 - Timed Output <input checked="" type="checkbox"/> 09 - Module Tamper <input checked="" type="checkbox"/> 10 - Zone Tamper	
	161 - DC Trouble	<input checked="" type="checkbox"/> 01 - True Output <input type="checkbox"/> 02 - Timed Output <input checked="" type="checkbox"/> 09 - Battery Low <input checked="" type="checkbox"/> 10 - Battery Absent	
	165 - Prox Used	<input checked="" type="checkbox"/> 01 - True Output	
	166 - Prox Used Part	<input checked="" type="checkbox"/> 01 - True Output <input type="checkbox"/> 02 - Timed Output	
	175 - Bell Prog Access	<input checked="" type="checkbox"/> 01 - True Output	
	176 - Remote Operation	<input checked="" type="checkbox"/> 01 - True Output <input type="checkbox"/> 02 - Timed Output	

[010] [000 - 164] PGM Attributes			
	184 – Open After Alarm	<input checked="" type="checkbox"/> 01 – True Output <input checked="" type="checkbox"/> 02 – Timed Output	
	200 – Zone Follow by Zone	<input checked="" type="checkbox"/> 01 – True Output <input type="checkbox"/> 02 – Timed Output <input checked="" type="checkbox"/> 04 – Latching <input type="checkbox"/> 05 – Follow Alarm	
	201 Zone Follower Zones 1-8	217 Zone Follower Zones 129-136	<input checked="" type="checkbox"/> 01 – True Output <input type="checkbox"/> 02 – Timed Output <input checked="" type="checkbox"/> 04 – Latching <input type="checkbox"/> 05 – Follow Alarm <input checked="" type="checkbox"/> 09 – Zone Terminal 1 <input checked="" type="checkbox"/> 10 – Zone Terminal 2 <input checked="" type="checkbox"/> 11 – Zone Terminal 3 <input checked="" type="checkbox"/> 12 – Zone Terminal 4 <input checked="" type="checkbox"/> 13 – Zone Terminal 5 <input checked="" type="checkbox"/> 14 – Zone Terminal 6 <input checked="" type="checkbox"/> 15 – Zone Terminal 7 <input checked="" type="checkbox"/> 16 – Zone Terminal 8
	202 Zone Follower Zones 9-16	218 Zone Follower Zones 137-144	
	203 Zone Follower Zones 17-24	219 Zone Follower Zones 145-152	
	204 Zone Follower Zones 25-32	220 Zone Follower Zones 153-160	
	205 Zone Follower Zones 33-40	221 Zone Follower Zones 161-168	
	206 Zone Follower Zones 41-48	222 Zone Follower Zones 169-176	
	207 Zone Follower Zones 49-56	223 Zone Follower Zones 177-184	
	208 Zone Follower Zones 57-64	224 Zone Follower Zones 185-192	
	209 Zone Follower Zones 65-72	225 Zone Follower Zones 193-200	
	210 Zone Follower Zones 73-80	226 Zone Follower Zones 201-208	
	211 Zone Follower Zones 81-88	227 Zone Follower Zones 209-216	
	212 Zone Follower Zones 89-96	228 Zone Follower Zones 217-224	
	213 Zone Follower Zones 97-104	229 Zone Follower Zones 225-232	
	214 Zone Follower Zones 105-112	230 Zone Follower Zones 233-240	
	215 Zone Follower Zones 113-120	231 Zone Follower Zones 241-248	
	216 Zone Follower Zones 121-128		

**[010] PGM Attribute Assignment:
(16-Bit Toggles)**
Description on [\[011\] PGM Configuration Options](#)

	PGM		Zone Follower by Zone (000-248; Default 000)	Prox. Used (000-095; Default 000)	Schedule (000-004; Default 000)
Alarm Panel	001	PGM 1			
	002	PGM 2			
	003	PGM 3			
	004	PGM 4			
HSM2204 #1	005	PGM 5			
	006	PGM 6			
	007	PGM 7			
	008	PGM 8			
HSM2204 #2	009	PGM 9			
	010	PGM 10			
	011	PGM 11			
	012	PGM 12			
HSM2204 #3	013	PGM 13			
	014	PGM 14			
	015	PGM 15			
	016	PGM 16			
HSM2204 #4	017	PGM 17			
	018	PGM 18			
	019	PGM 19			
	020	PGM 20			
HSM2208 #1	037	PGM 37			
	038	PGM 38			
	039	PGM 39			
	040	PGM 40			
	041	PGM 41			
	042	PGM 42			
	043	PGM 43			
	044	PGM 44			

**[010] PGM Attribute Assignment:
(16-Bit Toggles)**
Description on [\[011\] PGM Configuration Options](#)

	PGM		Zone Follower by Zone (000-248; Default 000)	Prox. Used (000-095; Default 000)	Schedule (000-004; Default 000)
HSM2208 #2	045	PGM 45			
	046	PGM 46			
	047	PGM 47			
	048	PGM 48			
	049	PGM 49			
	050	PGM 50			
	051	PGM 51			
	052	PGM 52			
HSM2208 #3	053	PGM 53			
	054	PGM 54			
	055	PGM 55			
	056	PGM 56			
	057	PGM 57			
	058	PGM 58			
	059	PGM 59			
	060	PGM 60			
HSM2208 #4	061	PGM 61			
	062	PGM 62			
	063	PGM 63			
	064	PGM 64			
	065	PGM 65			
	066	PGM 66			
	067	PGM 67			
	068	PGM 68			
HSM2208 #5	069	PGM 69			
	070	PGM 70			
	071	PGM 71			
	072	PGM 72			

**[010] PGM Attribute Assignment:
(16-Bit Toggles)**
Description on [\[011\] PGM Configuration Options](#)

	PGM		Zone Follower by Zone (000-248; Default 000)	Prox. Used (000-095; Default 000)	Schedule (000-004; Default 000)
	073	PGM 73			
	074	PGM 74			
	075	PGM 75			
	076	PGM 76			
HSM2208 #6	077	PGM 77			
	078	PGM 78			
	079	PGM 79			
	080	PGM 80			
	081	PGM 81			
	082	PGM 82			
	083	PGM 83			
	084	PGM 84			
HSM2208 #7	085	PGM 85			
	086	PGM 86			
	087	PGM 87			
	088	PGM 88			
	089	PGM 89			
	090	PGM 90			
	091	PGM 91			
	092	PGM 92			
HSM2208 #8	093	PGM 93			
	094	PGM 94			
	095	PGM 95			
	096	PGM 96			
	097	PGM 97			
	098	PGM 98			
	099	PGM 99			
	100	PGM 100			

**[010] PGM Attribute Assignment:
(16-Bit Toggles)**
Description on [\[011\] PGM Configuration Options](#)

	PGM		Zone Follower by Zone (000-248; Default 000)	Prox. Used (000-095; Default 000)	Schedule (000-004; Default 000)
HSM2208 #9	101	PGM 101			
	102	PGM 102			
	103	PGM 103			
	104	PGM 104			
	105	PGM 105			
	106	PGM 106			
	107	PGM 107			
	108	PGM 108			
HSM2208 #10	109	PGM 109			
	110	PGM 110			
	111	PGM 111			
	112	PGM 112			
	113	PGM 113			
	114	PGM 114			
	115	PGM 115			
	116	PGM 116			
HSM2208 #11	117	PGM 117			
	118	PGM 118			
	119	PGM 119			
	120	PGM 120			
	121	PGM 121			
	122	PGM 122			
	123	PGM 123			
	124	PGM 124			
HSM2208 #12	125	PGM 125			
	126	PGM 126			
	127	PGM 127			
	128	PGM 128			
	129	PGM 129			

**[010] PGM Attribute Assignment:
(16-Bit Toggles)**
Description on [\[011\] PGM Configuration Options](#)

	PGM		Zone Follower by Zone (000-248; Default 000)	Prox. Used (000-095; Default 000)	Schedule (000-004; Default 000)
	130	PGM 130			
	131	PGM 131			
	132	PGM 132			
HSM2208 #13	133	PGM 133			
	134	PGM 134			
	135	PGM 135			
	136	PGM 136			
	137	PGM 137			
	138	PGM 138			
	139	PGM 139			
	140	PGM 140			
HSM2208 #14	141	PGM 141			
	142	PGM 142			
	143	PGM 143			
	144	PGM 144			
	145	PGM 145			
	146	PGM 146			
	147	PGM 147			
	148	PGM 148			
HSM2208 #15	149	PGM 149			
	150	PGM 150			
	151	PGM 151			
	152	PGM 152			
	153	PGM 153			
	154	PGM 154			
	155	PGM 155			
	156	PGM 156			
HSM2208 #16	157	PGM 157			
	158	PGM 158			

**[010] PGM Attribute Assignment:
(16-Bit Toggles)**
Description on [\[011\] PGM Configuration Options](#)

	PGM		Zone Follower by Zone (000-248; Default 000)	Prox. Used (000-095; Default 000)	Schedule (000-004; Default 000)
	159	PGM 159			
	160	PGM 160			
	161	PGM 161			
	162	PGM 162			
	163	PGM 163			
	164	PGM 164			
	293	PGM 293			
HSM3204CX#1 7	294	PGM 294			
	295	PGM 295			
	296	PGM 296			
	297	PGM 297			
	298	PGM 298			
	299	PGM 299			
	300	PGM 300			
	301	PGM 301			
	302	PGM 302			
	303	PGM 303			
	304	PGM 304			
	305	PGM 305			
	306	PGM 306			
	307	PGM 307			
	308	PGM 308			
	309	PGM 309			
	310	PGM 310			
	311	PGM 311			
	312	PGM 312			
	313	PGM 313			
	314	PGM 314			
	315	PGM 315			

**[010] PGM Attribute Assignment:
(16-Bit Toggles)**
Description on [\[011\] PGM Configuration Options](#)

	PGM		Zone Follower by Zone (000-248; Default 000)	Prox. Used (000-095; Default 000)	Schedule (000-004; Default 000)
	316	PGM 316			
	317	PGM 317			
	318	PGM 318			
	319	PGM 319			
	320	PGM 320			
	321	PGM 321			
	322	PGM 322			
	323	PGM 323			
	324	PGM 324			
	325	PGM 325			
	326	PGM 326			
	327	PGM 327			
	328	PGM 328			
	329	PGM 329			
	330	PGM 330			
	331	PGM 331			
	332	PGM 332			
	333	PGM 333			
	334	PGM 334			
	335	PGM 335			
	336	PGM 336			
	337	PGM 337			
	338	PGM 338			
	339	PGM 339			
	340	PGM 340			
	341	PGM 341			
	342	PGM 342			
	343	PGM 343			
	344	PGM 344			

**[010] PGM Attribute Assignment:
(16-Bit Toggles)**
Description on [\[011\] PGM Configuration Options](#)

	PGM		Zone Follower by Zone (000-248; Default 000)	Prox. Used (000-095; Default 000)	Schedule (000-004; Default 000)
	345	PGM 345			
	346	PGM 346			
	347	PGM 347			
	348	PGM 348			
	349	PGM 349			
	350	PGM 350			
	351	PGM 351			
	352	PGM 352			
	353	PGM 353			
	354	PGM 354			
	355	PGM 355			
	356	PGM 356			

[011] PGM Configuration Options
Description on [\[011\] PGM Configuration Options](#)

	PGM		Zone Follower by Zone (000-248; Default 000)	Prox. Used (000-095; Default 000)	Schedule (000-004; Default 000)
Alarm Panel	001	PGM 1			
	002	PGM 2			
	003	PGM 3			
	004	PGM 4			
HSM2204 #1	005	PGM 5			
	006	PGM 6			
	007	PGM 7			
	008	PGM 8			
HSM2204 #2	009	PGM 9			
	010	PGM 10			
	011	PGM 11			
	012	PGM 12			

[011] PGM Configuration Options
 Description on [\[011\] PGM Configuration Options](#)

	PGM		Zone Follower by Zone (000-248; Default 000)	Prox. Used (000-095; Default 000)	Schedule (000-004; Default 000)
HSM2204 #3	013	PGM 13			
	014	PGM 14			
	015	PGM 15			
	016	PGM 16			
HSM2204 #4	017	PGM 17			
	018	PGM 18			
	019	PGM 19			
	020	PGM 20			
HSM2208 #1	037	PGM 37			
	038	PGM 38			
	039	PGM 39			
	040	PGM 40			
	041	PGM 41			
	042	PGM 42			
	043	PGM 43			
HSM2208 #2	044	PGM 44			
	045	PGM 45			
	046	PGM 46			
	047	PGM 47			
	048	PGM 48			
	049	PGM 49			
	050	PGM 50			
	051	PGM 51			
	052	PGM 52			
HSM2208 #3	053	PGM 53			
	054	PGM 54			
	055	PGM 55			
	056	PGM 56			

[011] PGM Configuration Options
 Description on [\[011\] PGM Configuration Options](#)

	PGM		Zone Follower by Zone (000-248; Default 000)	Prox. Used (000-095; Default 000)	Schedule (000-004; Default 000)
	057	PGM 57			
	058	PGM 58			
	059	PGM 59			
	060	PGM 60			
HSM2208 #4	061	PGM 61			
	062	PGM 62			
	063	PGM 63			
	064	PGM 64			
	065	PGM 65			
	066	PGM 66			
	067	PGM 67			
	068	PGM 68			
HSM2208 #5	069	PGM 69			
	070	PGM 70			
	071	PGM 71			
	072	PGM 72			
	073	PGM 73			
	074	PGM 74			
	075	PGM 75			
	076	PGM 76			
HSM2208 #6	077	PGM 77			
	078	PGM 78			
	079	PGM 79			
	080	PGM 80			
	081	PGM 81			
	082	PGM 82			
	083	PGM 83			
	084	PGM 84			

[011] PGM Configuration Options
 Description on [\[011\] PGM Configuration Options](#)

	PGM		Zone Follower by Zone (000-248; Default 000)	Prox. Used (000-095; Default 000)	Schedule (000-004; Default 000)
HSM2208 #7	085	PGM 85			
	086	PGM 86			
	087	PGM 87			
	088	PGM 88			
	089	PGM 89			
	090	PGM 90			
	091	PGM 91			
	092	PGM 92			
HSM2208 #8	093	PGM 93			
	094	PGM 94			
	095	PGM 95			
	096	PGM 96			
	097	PGM 97			
	098	PGM 98			
	099	PGM 99			
	100	PGM 100			
HSM2208 #9	101	PGM 101			
	102	PGM 102			
	103	PGM 103			
	104	PGM 104			
	105	PGM 105			
	106	PGM 106			
	107	PGM 107			
	108	PGM 108			
HSM2208 #10	109	PGM 109			
	110	PGM 110			
	111	PGM 111			
	112	PGM 112			
	113	PGM 113			
	114	PGM 114			

[011] PGM Configuration Options
 Description on [\[011\] PGM Configuration Options](#)

	PGM		Zone Follower by Zone (000-248; Default 000)	Prox. Used (000-095; Default 000)	Schedule (000-004; Default 000)
	115	PGM 115			
	116	PGM 116			
HSM2208 #11	117	PGM 117			
	118	PGM 118			
	119	PGM 119			
	120	PGM 120			
	121	PGM 121			
	122	PGM 122			
	123	PGM 123			
	124	PGM 124			
HSM2208 #12	125	PGM 125			
	126	PGM 126			
	127	PGM 127			
	128	PGM 128			
	129	PGM 129			
	130	PGM 130			
	131	PGM 131			
	132	PGM 132			
HSM2208 #13	133	PGM 133			
	134	PGM 134			
	135	PGM 135			
	136	PGM 136			
	137	PGM 137			
	138	PGM 138			
	139	PGM 139			
	140	PGM 140			
HSM2208 #14	141	PGM 141			
	142	PGM 142			
	143	PGM 143			
	144	PGM 144			

[011] PGM Configuration Options
 Description on [\[011\] PGM Configuration Options](#)

	PGM		Zone Follower by Zone (000-248; Default 000)	Prox. Used (000-095; Default 000)	Schedule (000-004; Default 000)
	145	PGM 145			
	146	PGM 146			
	147	PGM 147			
	148	PGM 148			
HSM2208 #15	149	PGM 149			
	150	PGM 150			
	151	PGM 151			
	152	PGM 152			
	153	PGM 153			
	154	PGM 154			
	155	PGM 155			
	156	PGM 156			
HSM2208 #16	157	PGM 157			
	158	PGM 158			
	159	PGM 159			
	160	PGM 160			
	161	PGM 161			
	162	PGM 162			
	163	PGM 163			
	164	PGM 164			
	293	PGM 293			
HSM3204CX#1 7	294	PGM 294			
	295	PGM 295			
	296	PGM 296			
	297	PGM 297			
	298	PGM 298			
	299	PGM 299			
	300	PGM 300			
	301	PGM 301			

[011] PGM Configuration Options
 Description on [\[011\] PGM Configuration Options](#)

	PGM		Zone Follower by Zone (000-248; Default 000)	Prox. Used (000-095; Default 000)	Schedule (000-004; Default 000)
	302	PGM 302			
	303	PGM 303			
	304	PGM 304			
	305	PGM 305			
	306	PGM 306			
	307	PGM 307			
	308	PGM 308			
	309	PGM 309			
	310	PGM 310			
	311	PGM 311			
	312	PGM 312			
	313	PGM 313			
	314	PGM 314			
	315	PGM 315			
	316	PGM 316			
	317	PGM 317			
	318	PGM 318			
	319	PGM 319			
	320	PGM 320			
	321	PGM 321			
	322	PGM 322			
	323	PGM 323			
	324	PGM 324			
	325	PGM 325			
	326	PGM 326			
	327	PGM 327			
	328	PGM 328			
	329	PGM 329			
	330	PGM 330			
	331	PGM 331			

[011] PGM Configuration Options
 Description on [\[011\] PGM Configuration Options](#)

	PGM		Zone Follower by Zone (000-248; Default 000)	Prox. Used (000-095; Default 000)	Schedule (000-004; Default 000)
	332	PGM 332			
	333	PGM 333			
	334	PGM 334			
	335	PGM 335			
	336	PGM 336			
	337	PGM 337			
	338	PGM 338			
	339	PGM 339			
	340	PGM 340			
	341	PGM 341			
	342	PGM 342			
	343	PGM 343			
	344	PGM 344			
	345	PGM 345			
	346	PGM 346			
	347	PGM 347			
	348	PGM 348			
	349	PGM 349			
	350	PGM 350			
	351	PGM 351			
	352	PGM 352			
	353	PGM 353			
	354	PGM 354			
	355	PGM 355			
	356	PGM 356			

System Lockout

[012] System Lockout (3-Digit Decimal) Description on [012] System Lockout	
Keypad Lockout:	(Range: 000-255; Default 000) ⓘ Note: For <input type="checkbox"/> EN installations maximum programmed lockout of 10 attempts.
Keypad Lockout Duration:	(Range: 001-255; Default 000) ⓘ Note: For <input type="checkbox"/> EN installations minimum programmed duration of 2 minutes.
Remote Lockout:	(Range: 003-255; Default 006)
Remote Lockout Duration:	(Range: 001-255; Default 060)

System Options

[013] System Options 1 Description on [013] System Option 1	
	<input type="checkbox"/> 1 – NC Loop/EOL
	<input type="checkbox"/> 2 – DEOL/SEOL
<input type="checkbox"/> EN	<input checked="" type="checkbox"/> 2 – DEOL/SEOL
	<input checked="" type="checkbox"/> 3 – Show All Troubles When Armed
	<input type="checkbox"/> 4 – Tamper/Faults Open Zone
	<input checked="" type="checkbox"/> 5 – Auto-Arm Schedule in [*][6]
	<input checked="" type="checkbox"/> 6 – Audible Exit Fault
	<input checked="" type="checkbox"/> 7 – Event Buffer Follows Swinger
	<input type="checkbox"/> 8 – Temporal Three Fire Signaling
[014] System Options 2 Description on [014] System Option 2	
	<input type="checkbox"/> 1 – Bell Squawk
	<input type="checkbox"/> 2 – Bell Squawk on Auto-Arm
	<input type="checkbox"/> 3 – Bell Squawk on Exit
	<input type="checkbox"/> 4 – Bell Squawk on Entry
	<input type="checkbox"/> 5 – Bell Squawk on Trouble
	<input type="checkbox"/> 6 – Reserved

	<input type="checkbox"/> 7 - Exit Delay Termination
	<input type="checkbox"/> 8 - Fire Bell Continues
[015] System Options 3	
Description on [015] System Option 3	
	<input checked="" type="checkbox"/> 1 - [F] Key Enabled
	<input type="checkbox"/> 2 - [P] Key Annunciation
	<input type="checkbox"/> 3 - Quick Exit
	<input checked="" type="checkbox"/> 4 - Quick Arming/Function Key
	<input type="checkbox"/> 5 - Reserved
	<input type="checkbox"/> 6 - Master Code Not User Changeable
	<input checked="" type="checkbox"/> 7 - Telephone Line Monitor Enable
	<input checked="" type="checkbox"/> 8 - TLM Audible When Armed
[016] System Options 4	
Description on [016] System Option 4	
	<input checked="" type="checkbox"/> 1 - AC Trouble Display
	<input type="checkbox"/> 2 - AC Trouble Light Flashes
<input type="checkbox"/> EN	<input checked="" type="checkbox"/> 2 - AC Trouble Light Flashes
	<input type="checkbox"/> 3 - Keypad Blanking
<input type="checkbox"/> EN	<input checked="" type="checkbox"/> 3 - Keypad Blanking
	<input type="checkbox"/> 4 - Keypad Blanking Requires Code
<input type="checkbox"/> EN	<input checked="" type="checkbox"/> 4 - Keypad Blanking Requires Code
	<input checked="" type="checkbox"/> 5 - Keypad Backlighting
	<input type="checkbox"/> 6 - Power Save Mode
	<input type="checkbox"/> 7 - Bypass Display When Armed
	<input type="checkbox"/> 8 - Keypad Tamper Enabled
<input type="checkbox"/> EN	<input checked="" type="checkbox"/> 8 - Keypad Tamper Enabled
[017] System Options 5	
Description on [017] System Option 5	
	<input checked="" type="checkbox"/> 1 - Chime on Opening
	<input type="checkbox"/> 2 - Chime on Closing
<input type="checkbox"/> EN	<input checked="" type="checkbox"/> 2 - Chime on Closing

	<input type="checkbox"/> 3 – Audible RF Jam Trouble Beeps
	<input type="checkbox"/> 4 – Multi-Hit
	<input type="checkbox"/> 5 – Late to Close
	<input type="checkbox"/> 6 – Daylight Savings Time
	<input type="checkbox"/> 7 – Silence Chime During Quick Exit Delay
	<input type="checkbox"/> 8 – Bell Squawk on Away Arm/Disarm
[018] System Options 6	
Description on [018] System Option 6	
	<input type="checkbox"/> 1 – Test Transmission Exception
	<input type="checkbox"/> 2 – Real-Time Bypass Reporting
	<input type="checkbox"/> 3 – Report Bypass for Stay Away Zones
	<input type="checkbox"/> 4 – Auto Bypass Report
	<input type="checkbox"/> 5 – Keypad Buzzer Alarm
	<input type="checkbox"/> 6 – Reserved
	<input type="checkbox"/> 7 – Exit Delay Restart
<input type="checkbox"/> CP-01	<input checked="" type="checkbox"/> 7 – Exit Delay Restart
	<input checked="" type="checkbox"/> 7 – Exit Delay Restart
	<input type="checkbox"/> 8 – AC Fail Trouble Beeps
<input type="checkbox"/> EN	<input checked="" type="checkbox"/> 8 – AC Fail Trouble Beeps
[019] System Options 7	
Description on [019] System Option 7	
	<input type="checkbox"/> 1 – Audible Wireless Zone Fault
	<input type="checkbox"/> 2 – Latching Troubles
<input type="checkbox"/> EN	<input checked="" type="checkbox"/> 2 – Latching Troubles
	<input type="checkbox"/> 3 – Reserved
	<input type="checkbox"/> 4 – Reserved
	<input type="checkbox"/> 5 – Audible Bus Fault
	<input type="checkbox"/> 6 – Duress Code
	<input checked="" type="checkbox"/> 7 – Temperature in Celsius
	<input type="checkbox"/> 8 – Reset After Zone Activation
[020] System Options 8	
Description on [020] System Option 8	
	<input type="checkbox"/> 1 – Access Code Entry During Entry Delay

	<input type="checkbox"/> 2 - EU Entry Procedure
<input type="checkbox"/> EN	<input checked="" type="checkbox"/> 2 - EU Entry Procedure
	<input type="checkbox"/> 3 - [*][8] Access While Armed
	<input type="checkbox"/> 4 - Remote Reset
	<input type="checkbox"/> 5 - Engineer's Reset
	<input type="checkbox"/> 6 - Keyswitch Disarming During Entry Delay
	<input type="checkbox"/> 7 - Installer Access and DLS
<input type="checkbox"/> EN	<input checked="" type="checkbox"/> 7 - Installer Access and DLS
	<input type="checkbox"/> 8 - Troubles Inhibits Arming
<input type="checkbox"/> EN	<input checked="" type="checkbox"/> 8 - Troubles Inhibits Arming
[021] System Options 9	
Description on [021] System Option 9	
<input type="checkbox"/> EN	<input type="checkbox"/> 1 - Trouble Display
<input type="checkbox"/> EN	<input type="checkbox"/> 2 - Keypad Blanking While Armed
	<input type="checkbox"/> 3 - Reserved
	<input type="checkbox"/> 4 - Ready Display
	<input type="checkbox"/> 5 - PGM Keypad Blanking
<input type="checkbox"/> EN	<input checked="" type="checkbox"/> 5 - PGM Keypad Blanking
	<input type="checkbox"/> 6 - Armed Display
	<input type="checkbox"/> 7 - Open Cancels Arming
<input type="checkbox"/> EN	<input checked="" type="checkbox"/> 7 - Open Cancels Arming
	<input type="checkbox"/> 8 - Audible Exit Delay for Stay Arm
[022] System Options 10	
Description on [022] System Option 10	
	<input type="checkbox"/> 1 - [F] Key Option
	<input type="checkbox"/> 2 - Reserved
	<input type="checkbox"/> 3 - Reserved
<input type="checkbox"/> UL <input type="checkbox"/> EN	<input type="checkbox"/> 4 - Test Transmission Counter in Hours
	<input type="checkbox"/> 5 - Away to Stay Toggle
	<input type="checkbox"/> 6 - 2- Way Audio Disconnect

	<input type="checkbox"/> 7 – Trouble Beeps Are Silent
	<input type="checkbox"/> 8 – Keyswitch Arms in Away Mode
	<input checked="" type="checkbox"/> 8 – Keyswitch Arms in Away Mode
[023] System Options 11	
Description on [023] System Option 11	
	<input type="checkbox"/> 1 – Ready LED Flash for Force Arm
	<input type="checkbox"/> 2 – Access Code Required for [*][*]
	<input type="checkbox"/> 3 – Tamper/Fault Detection
	<input type="checkbox"/> 4 – Access Code Required for [*][1]
<input type="checkbox"/> EN <input type="checkbox"/> UL	<input checked="" type="checkbox"/> 4 – Access Code Required for [*][1]
	<input type="checkbox"/> 5 – Access Code Required for [*][2] ⓘ Note: For UL installations, this setting must be enabled.
<input type="checkbox"/> EN	<input checked="" type="checkbox"/> 5 – Access Code Required for [*][2]
	<input type="checkbox"/> 6 – Access Code Required for [*][3]
<input type="checkbox"/> EN	<input checked="" type="checkbox"/> 6 – Access Code Required for [*][3]
	<input type="checkbox"/> 7 – Access Code Required for [*][4]
<input type="checkbox"/> EN	<input checked="" type="checkbox"/> 7 – Access Code Required for [*][4]
	<input type="checkbox"/> 8 – [*][6] Accessibility Option
[024] System Options 12	
Description on [024] System Option 12	
	<input type="checkbox"/> 1 – Reserved
	<input type="checkbox"/> 2 – Reserved
	<input type="checkbox"/> 3 – AC/DC Inhibits Arming
<input type="checkbox"/> EN	<input checked="" type="checkbox"/> 3 – AC/DC Inhibits Arming
<input type="checkbox"/> EN	<input type="checkbox"/> 4 – Tamper Inhibit Arming
	<input type="checkbox"/> 5 – Real Time Clock Option
	<input type="checkbox"/> 6 – Reserved
	<input type="checkbox"/> 7 – Reserved
	<input type="checkbox"/> 8 – DLS Disconnect

[025] System Options 13	
Description on [025] System Option 13	
	<input type="checkbox"/> 1 – European Dial
<input type="checkbox"/> UL	<input checked="" type="checkbox"/> 2 – Force Dial
	<input type="checkbox"/> 3 – Test Transmission Counter in Minutes
<input type="checkbox"/> EN	<input type="checkbox"/> 4 – Warm Start Indication
	<input type="checkbox"/> 5 – ID Tone
	<input type="checkbox"/> 6 – Tone Generated-2100Hz
	<input type="checkbox"/> 7 – DLS Window
	<input type="checkbox"/> 8 – FTC Audible Bell
[040] User Authentication	
Description on [040] User Authentication	
	<input checked="" type="checkbox"/> 1 – User Code or Prox. Tag
	<input type="checkbox"/> 2 – User Code and Prox. Tag
[041] Access Code Digits	
Description on [041] Access Code Digits	
	<input checked="" type="checkbox"/> 00 – 4-Digit Access Codes
<input type="checkbox"/> EN	<input type="checkbox"/> 01 – 6-Digit Access Codes
	<input type="checkbox"/> 02 – 8-Digit Access Codes
[042] Event Verification	
Description on [042] Verified Events	
01 – Burglary Verified Counter (Default: 002):	
02 – Holdup Counter (Default: 002):	
03 – Burglary Verification Selection:	001 – Police Code (Default)
	002 – Cross Zoning
	003 – Sequential Detection

Auto arm/disarm

[151] Partition 1 Auto-Arm/Disarm		
Description on [151]-[182] Partition Auto-Arm/Disarm		
001 – Partition 1 Auto-Arming Times:	24-Hour:	Wednesday:
(4-digit HH:MM)	Sunday:	Thursday:
Default: 9999	Monday:	Friday:

	Tuesday:	Saturday:
002 – Partition 1 Auto-Disarm Times:	24-Hour:	Wednesday:
(4-digit HH:MM)	Sunday:	Thursday:
Default: 9999	Monday:	Friday:
	Tuesday:	Saturday:
003 – Partition 1 Auto-Disarming Holiday Schedule:	Holiday 1: <input type="checkbox"/> On <input checked="" type="checkbox"/> Off	Holiday 3: <input type="checkbox"/> On <input checked="" type="checkbox"/> Off
(3-digit decimal)	Holiday 2: <input type="checkbox"/> On <input checked="" type="checkbox"/> Off	Holiday 4: <input type="checkbox"/> On <input checked="" type="checkbox"/> Off
004 – Partition 1 Auto-Arming Pre-Alert (Default: 004):		
005 – Partition 1 Auto-Arming Postpone Timer (Default: 000):		
006 – Partition 1 No Activity Arming Timer (Default: 000):		
007 – Partition 1 No Activity Arming Pre-Alert Timer (Default: 001):		
[152] Partition 2 Auto-Arm/Disarm		
001 – Partition 2 Auto-Arming Times:	24-Hour:	Wednesday:
(4-digit HH:MM)	Sunday:	Thursday:
Default: 9999	Monday:	Friday:
	Tuesday:	Saturday:
002 – Partition 2 Auto-Disarm Times:	24-Hour:	Wednesday:
(4-digit HH:MM)	Sunday:	Thursday:
Default: 9999	Monday:	Friday:
	Tuesday:	Saturday:
003 – Partition 2 Auto-Disarming Holiday Schedule:	Holiday 1: <input type="checkbox"/> On <input checked="" type="checkbox"/> Off	Holiday 3: <input type="checkbox"/> On <input checked="" type="checkbox"/> Off
(3-digit decimal)	Holiday 2: <input type="checkbox"/> On <input checked="" type="checkbox"/> Off	Holiday 4: <input type="checkbox"/> On <input checked="" type="checkbox"/> Off
004 – Partition 2 Auto-Arming Pre-Alert (Default: 004):		
005 – Partition 2 Auto-Arming Postpone Timer (Default: 000):		
006 – Partition 2 No Activity Arming Timer (Default: 000):		
007 – Partition 2 No Activity Arming Pre-Alert Timer (Default: 001):		
[153] Partition 3 Auto-Arm/Disarm		
001 – Partition 3 Auto-Arming Times:	24-Hour:	Wednesday:
(4-digit HH:MM)	Sunday:	Thursday:
Default: 9999	Monday:	Friday:
	Tuesday:	Saturday:
002 – Partition 3 Auto-Disarm Times:	24-Hour:	Wednesday:
(4-digit HH:MM)	Sunday:	Thursday:
Default: 9999	Monday:	Friday:

	Tuesday:	Saturday:
003 – Partition 3 Auto-Disarming Holiday Schedule:	Holiday 1: <input type="checkbox"/> On <input checked="" type="checkbox"/> Off	Holiday 3: <input type="checkbox"/> On <input checked="" type="checkbox"/> Off
(3-digit decimal)	Holiday 2: <input type="checkbox"/> On <input checked="" type="checkbox"/> Off	Holiday 4: <input type="checkbox"/> On <input checked="" type="checkbox"/> Off
004 – Partition 3 Auto-Arming Pre-Alert (Default: 004):		
005 – Partition 3 Auto-Arming Postpone Timer (Default: 000):		
006 – Partition 3 No Activity Arming Timer (Default: 000):		
007 – Partition 3 No Activity Arming Pre-Alert Timer (Default: 001):		
[154] Partition 4 Auto-Arm/Disarm		
001 – Partition 4 Auto-Arming Times:	24-Hour:	Wednesday:
(4-digit HH:MM)	Sunday:	Thursday:
Default: 9999	Monday:	Friday:
	Tuesday:	Saturday:
002 – Partition 4 Auto-Disarm Times:	24-Hour:	Wednesday:
(4-digit HH:MM)	Sunday:	Thursday:
Default: 9999	Monday:	Friday:
	Tuesday:	Saturday:
003 – Partition 4 Auto-Disarming Holiday Schedule:	Holiday 1: <input type="checkbox"/> On <input checked="" type="checkbox"/> Off	Holiday 3: <input type="checkbox"/> On <input checked="" type="checkbox"/> Off
(3-digit decimal)	Holiday 2: <input type="checkbox"/> On <input checked="" type="checkbox"/> Off	Holiday 4: <input type="checkbox"/> On <input checked="" type="checkbox"/> Off
004 – Partition 4 Auto-Arming Pre-Alert (Default: 004):		
005 – Partition 4 Auto-Arming Postpone Timer (Default: 000):		
006 – Partition 4 No Activity Arming Timer (Default: 000):		
007 – Partition 4 No Activity Arming Pre-Alert Timer (Default: 001):		
[155] Partition 5 Auto-Arm/Disarm		
001 – Partition 5 Auto-Arming Times:	24-Hour:	Wednesday:
(4-digit HH:MM)	Sunday:	Thursday:
Default: 9999	Monday:	Friday:
	Tuesday:	Saturday:
002 – Partition 5 Auto-Disarm Times:	24-Hour:	Wednesday:
(4-digit HH:MM)	Sunday:	Thursday:
Default: 9999	Monday:	Friday:
	Tuesday:	Saturday:
003 – Partition 2 Auto-Disarming Holiday Schedule:	Holiday 1: <input type="checkbox"/> On <input checked="" type="checkbox"/> Off	Holiday 3: <input type="checkbox"/> On <input checked="" type="checkbox"/> Off
(3-digit decimal)		
	Holiday 2: <input type="checkbox"/> On <input checked="" type="checkbox"/> Off	Holiday 4: <input type="checkbox"/> On <input checked="" type="checkbox"/> Off

004 – Partition 5 Auto-Arming Pre-Alert (Default: 004):		
005 – Partition 5 Auto-Arming Postpone Timer (Default: 000):		
006 – Partition 5 No Activity Arming Timer (Default: 000):		
007 – Partition 5 No Activity Arming Pre-Alert Timer (Default: 001):		
[156] Partition 6 Auto-Arm/Disarm		
001 – Partition 6 Auto-Arming Times:	24-Hour:	Wednesday:
(4-digit HH:MM)	Sunday:	Thursday:
Default: 9999	Monday:	Friday:
	Tuesday:	Saturday:
002 – Partition 6 Auto-Disarm Times:	24-Hour:	Wednesday:
(4-digit HH:MM)	Sunday:	Thursday:
Default: 9999	Monday:	Friday:
	Tuesday:	Saturday:
003 – Partition 6 Auto-Disarming Holiday Schedule:	Holiday 1: <input type="checkbox"/> On <input checked="" type="checkbox"/> Off	Holiday 3: <input type="checkbox"/> On <input checked="" type="checkbox"/> Off
(3-digit decimal)	Holiday 2: <input type="checkbox"/> On <input checked="" type="checkbox"/> Off	Holiday 4: <input type="checkbox"/> On <input checked="" type="checkbox"/> Off
004 – Partition 6 Auto-Arming Pre-Alert (Default: 004):		
005 – Partition 6 Auto-Arming Postpone Timer (Default: 000):		
006 – Partition 6 No Activity Arming Timer (Default: 000):		
007 – Partition 6 No Activity Arming Pre-Alert Timer (Default: 001):		
[157] Partition 7 Auto-Arm/Disarm		
001 – Partition 7 Auto-Arming Times:	24-Hour:	Wednesday:
(4-digit HH:MM)	Sunday:	Thursday:
Default: 9999	Monday:	Friday:
	Tuesday:	Saturday:
002 – Partition 7 Auto-Disarm Times:	24-Hour:	Wednesday:
(4-digit HH:MM)	Sunday:	Thursday:
Default: 9999	Monday:	Friday:
	Tuesday:	Saturday:
003 – Partition 7 Auto-Disarming Holiday Schedule:	Holiday 1: <input type="checkbox"/> On <input checked="" type="checkbox"/> Off	Holiday 3: <input type="checkbox"/> On <input checked="" type="checkbox"/> Off
(3-digit decimal)	Holiday 2: <input type="checkbox"/> On <input checked="" type="checkbox"/> Off	Holiday 4: <input type="checkbox"/> On <input checked="" type="checkbox"/> Off
004 – Partition 7 Auto-Arming Pre-Alert (Default: 004):		
005 – Partition 7 Auto-Arming Postpone Timer (Default: 000):		
006 – Partition 7 No Activity Arming Timer (Default: 000):		
007 – Partition 7 No Activity Arming Pre-Alert Timer (Default: 001):		
[158] Partition 8 Auto-Arm/Disarm		

001 – Partition 8 Auto-Arming Times:	24-Hour:	Wednesday:
(4-digit HH:MM)	Sunday:	Thursday:
Default: 9999	Monday:	Friday:
	Tuesday:	Saturday:
002 – Partition 8 Auto-Disarm Times:	24-Hour:	Wednesday:
(4-digit HH:MM)	Sunday:	Thursday:
Default: 9999	Monday:	Friday:
	Tuesday:	Saturday:
003 – Partition 8 Auto-Disarming Holiday Schedule:	Holiday 1: <input type="checkbox"/> On <input checked="" type="checkbox"/> Off	Holiday 3: <input type="checkbox"/> On <input checked="" type="checkbox"/> Off
(3-digit decimal)	Holiday 2: <input type="checkbox"/> On <input checked="" type="checkbox"/> Off	Holiday 4: <input type="checkbox"/> On <input checked="" type="checkbox"/> Off
004 – Partition 8 Auto-Arming Pre-Alert (Default: 004):		
005 – Partition 8 Auto-Arming Postpone Timer (Default: 000):		
006 – Partition 8 No Activity Arming Timer (Default: 000):		
007 – Partition 8 No Activity Arming Pre-Alert Timer (Default: 001):		
[159] Partition 9 Auto-Arm/Disarm		
001 – Partition 9 Auto-Arming Times:	24-Hour:	Wednesday:
(4-digit HH:MM)	Sunday:	Thursday:
Default: 9999	Monday:	Friday:
	Tuesday:	Saturday:
002 – Partition 9 Auto-Disarm Times:	24-Hour:	Wednesday:
(4-digit HH:MM)	Sunday:	Thursday:
Default: 9999	Monday:	Friday:
	Tuesday:	Saturday:
003 – Partition 9 Auto-Disarming Holiday Schedule:	Holiday 1: <input type="checkbox"/> On <input checked="" type="checkbox"/> Off	Holiday 3: <input type="checkbox"/> On <input checked="" type="checkbox"/> Off
(3-digit decimal)	Holiday 2: <input type="checkbox"/> On <input checked="" type="checkbox"/> Off	Holiday 4: <input type="checkbox"/> On <input checked="" type="checkbox"/> Off
004 – Partition 9 Auto-Arming Pre-Alert (Default: 004):		
005 – Partition 9 Auto-Arming Postpone Timer (Default: 000):		
006 – Partition 9 No Activity Arming Timer (Default: 000):		
007 – Partition 9 No Activity Arming Pre-Alert Timer (Default: 001):		
[160] Partition 10 Auto-Arm/Disarm		
001 – Partition 10 Auto-Arming Times:	24-Hour:	Wednesday:
(4-digit HH:MM)	Sunday:	Thursday:
Default: 9999	Monday:	Friday:
	Tuesday:	Saturday:

002 – Partition 10 Auto-Disarm Times:	24-Hour:	Wednesday:
(4-digit HH:MM)	Sunday:	Thursday:
Default: 9999	Monday:	Friday:
	Tuesday:	Saturday:
003 – Partition 10 Auto-Disarming Holiday Schedule:	Holiday 1: <input type="checkbox"/> On <input checked="" type="checkbox"/> Off	Holiday 3: <input type="checkbox"/> On <input checked="" type="checkbox"/> Off
(3-digit decimal)	Holiday 2: <input type="checkbox"/> On <input checked="" type="checkbox"/> Off	Holiday 4: <input type="checkbox"/> On <input checked="" type="checkbox"/> Off
004 – Partition 10 Auto-Arming Pre-Alert (Default: 004):		
005 – Partition 10 Auto-Arming Postpone Timer (Default: 000):		
006 – Partition 10 No Activity Arming Timer (Default: 000):		
007 – Partition 10 No Activity Arming Pre-Alert Timer (Default: 001):		
[161] Partition 11 Auto-Arm/Disarm		
001 – Partition 11 Auto-Arming Times:	24-Hour:	Wednesday:
(4-digit HH:MM)	Sunday:	Thursday:
Default: 9999	Monday:	Friday:
	Tuesday:	Saturday:
002 – Partition 11 Auto-Disarm Times:	24-Hour:	Wednesday:
(4-digit HH:MM)	Sunday:	Thursday:
Default: 9999	Monday:	Friday:
	Tuesday:	Saturday:
003 – Partition 11 Auto-Disarming Holiday Schedule:	Holiday 1: <input type="checkbox"/> On <input checked="" type="checkbox"/> Off	Holiday 3: <input type="checkbox"/> On <input checked="" type="checkbox"/> Off
(3-digit decimal)	Holiday 2: <input type="checkbox"/> On <input checked="" type="checkbox"/> Off	Holiday 4: <input type="checkbox"/> On <input checked="" type="checkbox"/> Off
004 – Partition 11 Auto-Arming Pre-Alert (Default: 004):		
005 – Partition 11 Auto-Arming Postpone Timer (Default: 000):		
006 – Partition 11 No Activity Arming Timer (Default: 000):		
007 – Partition 11 No Activity Arming Pre-Alert Timer (Default: 001):		
[162] Partition 12 Auto-Arm/Disarm		
001 – Partition 12 Auto-Arming Times:	24-Hour:	Wednesday:
(4-digit HH:MM)	Sunday:	Thursday:
Default: 9999	Monday:	Friday:
	Tuesday:	Saturday:
002 – Partition 12 Auto-Disarm Times:	24-Hour:	Wednesday:
(4-digit HH:MM)	Sunday:	Thursday:
Default: 9999	Monday:	Friday:
	Tuesday:	Saturday:

003 – Partition 12 Auto-Disarming Holiday Schedule:	Holiday 1: <input type="checkbox"/> On <input checked="" type="checkbox"/> Off	Holiday 3: <input type="checkbox"/> On <input checked="" type="checkbox"/> Off
(3-digit decimal)	Holiday 2: <input type="checkbox"/> On <input checked="" type="checkbox"/> Off	Holiday 4: <input type="checkbox"/> On <input checked="" type="checkbox"/> Off
004 – Partition 12 Auto-Arming Pre-Alert (Default: 004):		
005 – Partition 12 Auto-Arming Postpone Timer (Default: 000):		
006 – Partition 12 No Activity Arming Timer (Default: 000):		
007 – Partition 12 No Activity Arming Pre-Alert Timer (Default: 001):		
[163] Partition 13 Auto-Arm/Disarm		
001 – Partition 13 Auto-Arming Times:	24-Hour:	Wednesday:
(4-digit HH:MM)	Sunday:	Thursday:
Default: 9999	Monday:	Friday:
	Tuesday:	Saturday:
002 – Partition 13 Auto-Disarm Times:	24-Hour:	Wednesday:
(4-digit HH:MM)	Sunday:	Thursday:
Default: 9999	Monday:	Friday:
	Tuesday:	Saturday:
003 – Partition 13 Auto-Disarming Holiday Schedule:	Holiday 1: <input type="checkbox"/> On <input checked="" type="checkbox"/> Off	Holiday 3: <input type="checkbox"/> On <input checked="" type="checkbox"/> Off
(3-digit decimal)	Holiday 2: <input type="checkbox"/> On <input checked="" type="checkbox"/> Off	Holiday 4: <input type="checkbox"/> On <input checked="" type="checkbox"/> Off
004 – Partition 13 Auto-Arming Pre-Alert (Default: 004):		
005 – Partition 13 Auto-Arming Postpone Timer (Default: 000):		
006 – Partition 13 No Activity Arming Timer (Default: 000):		
007 – Partition 13 No Activity Arming Pre-Alert Timer (Default: 001):		
[164] Partition 14 Auto-Arm/Disarm		
001 – Partition 14 Auto-Arming Times:	24-Hour:	Wednesday:
(4-digit HH:MM)	Sunday:	Thursday:
Default: 9999	Monday:	Friday:
	Tuesday:	Saturday:
002 – Partition 14 Auto-Disarm Times:	24-Hour:	Wednesday:
(4-digit HH:MM)	Sunday:	Thursday:
Default: 9999	Monday:	Friday:
	Tuesday:	Saturday:
003 – Partition 14 Auto-Disarming Holiday Schedule:	Holiday 1: <input type="checkbox"/> On <input checked="" type="checkbox"/> Off	Holiday 3: <input type="checkbox"/> On <input checked="" type="checkbox"/> Off
(3-digit decimal)	Holiday 2: <input type="checkbox"/> On <input checked="" type="checkbox"/> Off	Holiday 4: <input type="checkbox"/> On <input checked="" type="checkbox"/> Off
004 – Partition 14 Auto-Arming Pre-Alert (Default: 004):		
005 – Partition 14 Auto-Arming Postpone Timer (Default: 000):		
006 – Partition 14 No Activity Arming Timer (Default: 000):		

007 – Partition 14 No Activity Arming Pre-Alert Timer (Default: 001):		
[165] Partition 15 Auto-Arm/Disarm		
001 – Partition 15 Auto-Arming Times:	24-Hour:	Wednesday:
(4-digit HH:MM)	Sunday:	Thursday:
Default: 9999	Monday:	Friday:
	Tuesday:	Saturday:
002 – Partition 15 Auto-Disarm Times:	24-Hour:	Wednesday:
(4-digit HH:MM)	Sunday:	Thursday:
Default: 9999	Monday:	Friday:
	Tuesday:	Saturday:
003 – Partition 15 Auto-Disarming Holiday Schedule:	Holiday 1: <input type="checkbox"/> On <input checked="" type="checkbox"/> Off	Holiday 3: <input type="checkbox"/> On <input checked="" type="checkbox"/> Off
(3-digit decimal)	Holiday 2: <input type="checkbox"/> On <input checked="" type="checkbox"/> Off	Holiday 4: <input type="checkbox"/> On <input checked="" type="checkbox"/> Off
004 – Partition 15 Auto-Arming Pre-Alert (Default: 004):		
005 – Partition 15 Auto-Arming Postpone Timer (Default: 000):		
006 – Partition 15 No Activity Arming Timer (Default: 000):		
007 – Partition 15 No Activity Arming Pre-Alert Timer (Default: 001):		
[166] Partition 16 Auto-Arm/Disarm		
001 – Partition 16 Auto-Arming Times:	24-Hour:	Wednesday:
(4-digit HH:MM)	Sunday:	Thursday:
Default: 9999	Monday:	Friday:
	Tuesday:	Saturday:
002 – Partition 16 Auto-Disarm Times:	24-Hour:	Wednesday:
(4-digit HH:MM)	Sunday:	Thursday:
Default: 9999	Monday:	Friday:
	Tuesday:	Saturday:
003 – Partition 16 Auto-Disarming Holiday Schedule:	Holiday 1: <input type="checkbox"/> On <input checked="" type="checkbox"/> Off	Holiday 3: <input type="checkbox"/> On <input checked="" type="checkbox"/> Off
(3-digit decimal)	Holiday 2: <input type="checkbox"/> On <input checked="" type="checkbox"/> Off	Holiday 4: <input type="checkbox"/> On <input checked="" type="checkbox"/> Off
004 – Partition 16 Auto-Arming Pre-Alert (Default: 004):		
005 – Partition 16 Auto-Arming Postpone Timer (Default: 000):		
006 – Partition 16 No Activity Arming Timer (Default: 000):		
007 – Partition 16 No Activity Arming Pre-Alert Timer (Default: 001):		
[167] Partition 17 Auto-Arm/Disarm		
001 – Partition 17 Auto-Arming Times:	24-Hour:	Wednesday:
(4-digit HH:MM)	Sunday:	Thursday:
Default: 9999	Monday:	Friday:

	Tuesday:	Saturday:
002 – Partition 17 Auto-Disarm Times:	24-Hour:	Wednesday:
(4-digit HH:MM)	Sunday:	Thursday:
Default: 9999	Monday:	Friday:
	Tuesday:	Saturday:
003 – Partition 17 Auto-Disarming Holiday Schedule:	Holiday 1: <input type="checkbox"/> On <input checked="" type="checkbox"/> Off	Holiday 3: <input type="checkbox"/> On <input checked="" type="checkbox"/> Off
(3-digit decimal)	Holiday 2: <input type="checkbox"/> On <input checked="" type="checkbox"/> Off	Holiday 4: <input type="checkbox"/> On <input checked="" type="checkbox"/> Off
004 – Partition 17 Auto-Arming Pre-Alert (Default: 004):		
005 – Partition 17 Auto-Arming Postpone Timer (Default: 000):		
006 – Partition 17 No Activity Arming Timer (Default: 000):		
007 – Partition 17 No Activity Arming Pre-Alert Timer (Default: 001):		
[168] Partition 18 Auto-Arm/Disarm		
001 – Partition 18 Auto-Arming Times:	24-Hour:	Wednesday:
(4-digit HH:MM)	Sunday:	Thursday:
Default: 9999	Monday:	Friday:
	Tuesday:	Saturday:
002 – Partition 18 Auto-Disarm Times:	24-Hour:	Wednesday:
(4-digit HH:MM)	Sunday:	Thursday:
Default: 9999	Monday:	Friday:
	Tuesday:	Saturday:
003 – Partition 18 Auto-Disarming Holiday Schedule:	Holiday 1: <input type="checkbox"/> On <input checked="" type="checkbox"/> Off	Holiday 3: <input type="checkbox"/> On <input checked="" type="checkbox"/> Off
(3-digit decimal)	Holiday 2: <input type="checkbox"/> On <input checked="" type="checkbox"/> Off	Holiday 4: <input type="checkbox"/> On <input checked="" type="checkbox"/> Off
004 – Partition 18 Auto-Arming Pre-Alert (Default: 004):		
005 – Partition 18 Auto-Arming Postpone Timer (Default: 000):		
006 – Partition 18 No Activity Arming Timer (Default: 000):		
007 – Partition 18 No Activity Arming Pre-Alert Timer (Default: 001):		
[169] Partition 19 Auto-Arm/Disarm		
001 – Partition 19 Auto-Arming Times:	24-Hour:	Wednesday:
(4-digit HH:MM)	Sunday:	Thursday:
Default: 9999	Monday:	Friday:
	Tuesday:	Saturday:
002 – Partition 19 Auto-Disarm Times:	24-Hour:	Wednesday:
(4-digit HH:MM)	Sunday:	Thursday:
Default: 9999	Monday:	Friday:

	Tuesday:	Saturday:
003 – Partition 19 Auto-Disarming Holiday Schedule:	Holiday 1: <input type="checkbox"/> On <input checked="" type="checkbox"/> Off	Holiday 3: <input type="checkbox"/> On <input checked="" type="checkbox"/> Off
(3-digit decimal)	Holiday 2: <input type="checkbox"/> On <input checked="" type="checkbox"/> Off	Holiday 4: <input type="checkbox"/> On <input checked="" type="checkbox"/> Off
004 – Partition 19 Auto-Arming Pre-Alert (Default: 004):		
005 – Partition 19 Auto-Arming Postpone Timer (Default: 000):		
006 – Partition 19 No Activity Arming Timer (Default: 000):		
007 – Partition 19 No Activity Arming Pre-Alert Timer (Default: 001):		
[170] Partition 20 Auto-Arm/Disarm		
001 – Partition 20 Auto-Arming Times:	24-Hour:	Wednesday:
(4-digit HH:MM)	Sunday:	Thursday:
Default: 9999	Monday:	Friday:
	Tuesday:	Saturday:
002 – Partition 20 Auto-Disarm Times:	24-Hour:	Wednesday:
(4-digit HH:MM)	Sunday:	Thursday:
Default: 9999	Monday:	Friday:
	Tuesday:	Saturday:
003 – Partition 20 Auto-Disarming Holiday Schedule:	Holiday 1: <input type="checkbox"/> On <input checked="" type="checkbox"/> Off	Holiday 3: <input type="checkbox"/> On <input checked="" type="checkbox"/> Off
(3-digit decimal)	Holiday 2: <input type="checkbox"/> On <input checked="" type="checkbox"/> Off	Holiday 4: <input type="checkbox"/> On <input checked="" type="checkbox"/> Off
004 – Partition 20 Auto-Arming Pre-Alert (Default: 004):		
005 – Partition 20 Auto-Arming Postpone Timer (Default: 000):		
006 – Partition 20 No Activity Arming Timer (Default: 000):		
007 – Partition 20 No Activity Arming Pre-Alert Timer (Default: 001):		
[171] Partition 21 Auto-Arm/Disarm		
001 – Partition 21 Auto-Arming Times:	24-Hour:	Wednesday:
(4-digit HH:MM)	Sunday:	Thursday:
Default: 9999	Monday:	Friday:
	Tuesday:	Saturday:
002 – Partition 21 Auto-Disarm Times:	24-Hour:	Wednesday:
(4-digit HH:MM)	Sunday:	Thursday:
Default: 9999	Monday:	Friday:
	Tuesday:	Saturday:
003 – Partition 21 Auto-Disarming Holiday Schedule:	Holiday 1: <input type="checkbox"/> On <input checked="" type="checkbox"/> Off	Holiday 3: <input type="checkbox"/> On <input checked="" type="checkbox"/> Off
(3-digit decimal)	Holiday 2: <input type="checkbox"/> On <input checked="" type="checkbox"/> Off	Holiday 4: <input type="checkbox"/> On <input checked="" type="checkbox"/> Off
004 – Partition 21 Auto-Arming Pre-Alert (Default: 004):		
005 – Partition 21 Auto-Arming Postpone Timer (Default: 000):		

006 – Partition 21 No Activity Arming Timer (Default: 000):		
007 – Partition 21 No Activity Arming Pre-Alert Timer (Default: 001):		
[172] Partition 22 Auto-Arm/Disarm		
001 – Partition 22 Auto-Arming Times:	24-Hour:	Wednesday:
(4-digit HH:MM)	Sunday:	Thursday:
Default: 9999	Monday:	Friday:
	Tuesday:	Saturday:
002 – Partition 22 Auto-Disarm Times:	24-Hour:	Wednesday:
(4-digit HH:MM)	Sunday:	Thursday:
Default: 9999	Monday:	Friday:
	Tuesday:	Saturday:
003 – Partition 22 Auto-Disarming Holiday Schedule:	Holiday 1: <input type="checkbox"/> On <input checked="" type="checkbox"/> Off	Holiday 3: <input type="checkbox"/> On <input checked="" type="checkbox"/> Off
(3-digit decimal)	Holiday 2: <input type="checkbox"/> On <input checked="" type="checkbox"/> Off	Holiday 4: <input type="checkbox"/> On <input checked="" type="checkbox"/> Off
004 – Partition 22 Auto-Arming Pre-Alert (Default: 004):		
005 – Partition 22 Auto-Arming Postpone Timer (Default: 000):		
006 – Partition 22 No Activity Arming Timer (Default: 000):		
007 – Partition 22 No Activity Arming Pre-Alert Timer (Default: 001):		
[173] Partition 23 Auto-Arm/Disarm		
001 – Partition 23 Auto-Arming Times:	24-Hour:	Wednesday:
(4-digit HH:MM)	Sunday:	Thursday:
Default: 9999	Monday:	Friday:
	Tuesday:	Saturday:
002 – Partition 23 Auto-Disarm Times:	24-Hour:	Wednesday:
(4-digit HH:MM)	Sunday:	Thursday:
Default: 9999	Monday:	Friday:
	Tuesday:	Saturday:
003 – Partition 23 Auto-Disarming Holiday Schedule:	Holiday 1: <input type="checkbox"/> On <input checked="" type="checkbox"/> Off	Holiday 3: <input type="checkbox"/> On <input checked="" type="checkbox"/> Off
(3-digit decimal)	Holiday 2: <input type="checkbox"/> On <input checked="" type="checkbox"/> Off	Holiday 4: <input type="checkbox"/> On <input checked="" type="checkbox"/> Off
004 – Partition 23 Auto-Arming Pre-Alert (Default: 004):		
005 – Partition 23 Auto-Arming Postpone Timer (Default: 000):		
006 – Partition 23 No Activity Arming Timer (Default: 000):		
007 – Partition 23 No Activity Arming Pre-Alert Timer (Default: 001):		
[174] Partition 24 Auto-Arm/Disarm		
001 – Partition 24 Auto-Arming Times:	24-Hour:	Wednesday:
(4-digit HH:MM)	Sunday:	Thursday:

Default: 9999	Monday:	Friday:
	Tuesday:	Saturday:
002 – Partition 24 Auto-Disarm Times:	24-Hour:	Wednesday:
(4-digit HH:MM)	Sunday:	Thursday:
Default: 9999	Monday:	Friday:
	Tuesday:	Saturday:
003 – Partition 24 Auto-Disarming Holiday Schedule:	Holiday 1: <input type="checkbox"/> On <input checked="" type="checkbox"/> Off	Holiday 3: <input type="checkbox"/> On <input checked="" type="checkbox"/> Off
(3-digit decimal)	Holiday 2: <input type="checkbox"/> On <input checked="" type="checkbox"/> Off	Holiday 4: <input type="checkbox"/> On <input checked="" type="checkbox"/> Off
004 – Partition 24 Auto-Arming Pre-Alert (Default: 004):		
005 – Partition 24 Auto-Arming Postpone Timer (Default: 000):		
006 – Partition 24 No Activity Arming Timer (Default: 000):		
007 – Partition 24 No Activity Arming Pre-Alert Timer (Default: 001):		
[175] Partition 25 Auto-Arm/Disarm		
001 – Partition 25 Auto-Arming Times:	24-Hour:	Wednesday:
(4-digit HH:MM)	Sunday:	Thursday:
Default: 9999	Monday:	Friday:
	Tuesday:	Saturday:
002 – Partition 25 Auto-Disarm Times:	24-Hour:	Wednesday:
(4-digit HH:MM)	Sunday:	Thursday:
Default: 9999	Monday:	Friday:
	Tuesday:	Saturday:
003 – Partition 25 Auto-Disarming Holiday Schedule:	Holiday 1: <input type="checkbox"/> On <input checked="" type="checkbox"/> Off	Holiday 3: <input type="checkbox"/> On <input checked="" type="checkbox"/> Off
(3-digit decimal)	Holiday 2: <input type="checkbox"/> On <input checked="" type="checkbox"/> Off	Holiday 4: <input type="checkbox"/> On <input checked="" type="checkbox"/> Off
004 – Partition 25 Auto-Arming Pre-Alert (Default: 004):		
005 – Partition 25 Auto-Arming Postpone Timer (Default: 000):		
006 – Partition 25 No Activity Arming Timer (Default: 000):		
007 – Partition 25 No Activity Arming Pre-Alert Timer (Default: 001):		
[176] Partition 26 Auto-Arm/Disarm		
001 – Partition 26 Auto-Arming Times:	24-Hour:	Wednesday:
(4-digit HH:MM)	Sunday:	Thursday:
Default: 9999	Monday:	Friday:
	Tuesday:	Saturday:
002 – Partition 26 Auto-Disarm Times:	24-Hour:	Wednesday:
(4-digit HH:MM)	Sunday:	Thursday:
Default: 9999	Monday:	Friday:

	Tuesday:	Saturday:
003 – Partition 26 Auto-Disarming Holiday Schedule:	Holiday 1: <input type="checkbox"/> On <input checked="" type="checkbox"/> Off	Holiday 3: <input type="checkbox"/> On <input checked="" type="checkbox"/> Off
(3-digit decimal)	Holiday 2: <input type="checkbox"/> On <input checked="" type="checkbox"/> Off	Holiday 4: <input type="checkbox"/> On <input checked="" type="checkbox"/> Off
004 – Partition 26 Auto-Arming Pre-Alert (Default: 004):		
005 – Partition 26 Auto-Arming Postpone Timer (Default: 000):		
006 – Partition 26 No Activity Arming Timer (Default: 000):		
007 – Partition 26 No Activity Arming Pre-Alert Timer (Default: 001):		
[177] Partition 27 Auto-Arm/Disarm		
001 – Partition 27 Auto-Arming Times:	24-Hour:	Wednesday:
(4-digit HH:MM)	Sunday:	Thursday:
Default: 9999	Monday:	Friday:
	Tuesday:	Saturday:
002 – Partition 27 Auto-Disarm Times:	24-Hour:	Wednesday:
(4-digit HH:MM)	Sunday:	Thursday:
Default: 9999	Monday:	Friday:
	Tuesday:	Saturday:
003 – Partition 27 Auto-Disarming Holiday Schedule:	Holiday 1: <input type="checkbox"/> On <input checked="" type="checkbox"/> Off	Holiday 3: <input type="checkbox"/> On <input checked="" type="checkbox"/> Off
(3-digit decimal)	Holiday 2: <input type="checkbox"/> On <input checked="" type="checkbox"/> Off	Holiday 4: <input type="checkbox"/> On <input checked="" type="checkbox"/> Off
004 – Partition 27 Auto-Arming Pre-Alert (Default: 004):		
005 – Partition 27 Auto-Arming Postpone Timer (Default: 000):		
006 – Partition 27 No Activity Arming Timer (Default: 000):		
007 – Partition 27 No Activity Arming Pre-Alert Timer (Default: 001):		
[178] Partition 28 Auto-Arm/Disarm		
001 – Partition 28 Auto-Arming Times:	24-Hour:	Wednesday:
(4-digit HH:MM)	Sunday:	Thursday:
Default: 9999	Monday:	Friday:
	Tuesday:	Saturday:
002 – Partition 28 Auto-Disarm Times:	24-Hour:	Wednesday:
(4-digit HH:MM)	Sunday:	Thursday:
Default: 9999	Monday:	Friday:
	Tuesday:	Saturday:
003 – Partition 28 Auto-Disarming Holiday Schedule:	Holiday 1: <input type="checkbox"/> On <input checked="" type="checkbox"/> Off	Holiday 3: <input type="checkbox"/> On <input checked="" type="checkbox"/> Off
(3-digit decimal)	Holiday 2: <input type="checkbox"/> On <input checked="" type="checkbox"/> Off	Holiday 4: <input type="checkbox"/> On <input checked="" type="checkbox"/> Off
004 – Partition 28 Auto-Arming Pre-Alert (Default: 004):		
005 – Partition 28 Auto-Arming Postpone Timer (Default: 000):		

006 – Partition 28 No Activity Arming Timer (Default: 000):		
007 – Partition 28 No Activity Arming Pre-Alert Timer (Default: 001):		
[179] Partition 29 Auto-Arm/Disarm		
001 – Partition 29 Auto-Arming Times:	24-Hour:	Wednesday:
(4-digit HH:MM)	Sunday:	Thursday:
Default: 9999	Monday:	Friday:
	Tuesday:	Saturday:
002 – Partition 29 Auto-Disarm Times:	24-Hour:	Wednesday:
(4-digit HH:MM)	Sunday:	Thursday:
Default: 9999	Monday:	Friday:
	Tuesday:	Saturday:
003 – Partition 29 Auto-Disarming Holiday Schedule:	Holiday 1: <input type="checkbox"/> On <input checked="" type="checkbox"/> Off	Holiday 3: <input type="checkbox"/> On <input checked="" type="checkbox"/> Off
(3-digit decimal)	Holiday 2: <input type="checkbox"/> On <input checked="" type="checkbox"/> Off	Holiday 4: <input type="checkbox"/> On <input checked="" type="checkbox"/> Off
004 – Partition 29 Auto-Arming Pre-Alert (Default: 004):		
005 – Partition 29 Auto-Arming Postpone Timer (Default: 000):		
006 – Partition 29 No Activity Arming Timer (Default: 000):		
007 – Partition 29 No Activity Arming Pre-Alert Timer (Default: 001):		
[180] Partition 30 Auto-Arm/Disarm		
001 – Partition 30 Auto-Arming Times:	24-Hour:	Wednesday:
(4-digit HH:MM)	Sunday:	Thursday:
Default: 9999	Monday:	Friday:
	Tuesday:	Saturday:
002 – Partition 30 Auto-Disarm Times:	24-Hour:	Wednesday:
(4-digit HH:MM)	Sunday:	Thursday:
Default: 9999	Monday:	Friday:
	Tuesday:	Saturday:
003 – Partition 30 Auto-Disarming Holiday Schedule:	Holiday 1: <input type="checkbox"/> On <input checked="" type="checkbox"/> Off	Holiday 3: <input type="checkbox"/> On <input checked="" type="checkbox"/> Off
(3-digit decimal)	Holiday 2: <input type="checkbox"/> On <input checked="" type="checkbox"/> Off	Holiday 4: <input type="checkbox"/> On <input checked="" type="checkbox"/> Off
004 – Partition 30 Auto-Arming Pre-Alert (Default: 004):		
005 – Partition 30 Auto-Arming Postpone Timer (Default: 000):		
006 – Partition 30 No Activity Arming Timer (Default: 000):		
007 – Partition 30 No Activity Arming Pre-Alert Timer (Default: 001):		
[181] Partition 31 Auto-Arm/Disarm		
001 – Partition 31 Auto-Arming Times:	24-Hour:	Wednesday:
(4-digit HH:MM)	Sunday:	Thursday:

Default: 9999	Monday:	Friday:
	Tuesday:	Saturday:
002 – Partition 31 Auto-Disarm Times:	24-Hour:	Wednesday:
(4-digit HH:MM)	Sunday:	Thursday:
Default: 9999	Monday:	Friday:
	Tuesday:	Saturday:
003 – Partition 31 Auto-Disarming Holiday Schedule:	Holiday 1: <input type="checkbox"/> On <input checked="" type="checkbox"/> Off	Holiday 3: <input type="checkbox"/> On <input checked="" type="checkbox"/> Off
(3-digit decimal)	Holiday 2: <input type="checkbox"/> On <input checked="" type="checkbox"/> Off	Holiday 4: <input type="checkbox"/> On <input checked="" type="checkbox"/> Off
004 – Partition 31 Auto-Arming Pre-Alert (Default: 004):		
005 – Partition 31 Auto-Arming Postpone Timer (Default: 000):		
006 – Partition 31 No Activity Arming Timer (Default: 000):		
007 – Partition 31 No Activity Arming Pre-Alert Timer (Default: 001):		
[182] Partition 32 Auto-Arm/Disarm		
001 – Partition 32 Auto-Arming Times:	24-Hour:	Wednesday:
(4-digit HH:MM)	Sunday:	Thursday:
Default: 9999	Monday:	Friday:
	Tuesday:	Saturday:
002 – Partition 32 Auto-Disarm Times:	24-Hour:	Wednesday:
(4-digit HH:MM)	Sunday:	Thursday:
Default: 9999	Monday:	Friday:
	Tuesday:	Saturday:
003 – Partition 32 Auto-Disarming Holiday Schedule:	Holiday 1: <input type="checkbox"/> On <input checked="" type="checkbox"/> Off	Holiday 3: <input type="checkbox"/> On <input checked="" type="checkbox"/> Off
(3-digit decimal)	Holiday 2: <input type="checkbox"/> On <input checked="" type="checkbox"/> Off	Holiday 4: <input type="checkbox"/> On <input checked="" type="checkbox"/> Off
004 – Partition 32 Auto-Arming Pre-Alert (Default: 004):		
005 – Partition 32 Auto-Arming Postpone Timer (Default: 000):		
006 – Partition 32 No Activity Arming Timer (Default: 000):		
007 – Partition 32 No Activity Arming Pre-Alert Timer (Default: 001):		
[200] Partition Mask		
Descriptions on [200] Partition Mask		
001 – Partition 1 to 32 Enable Mask	<input checked="" type="checkbox"/> – Partition 1	<input checked="" type="checkbox"/> – Partition 17
	<input type="checkbox"/> – Partition 2	<input type="checkbox"/> – Partition 18
	<input type="checkbox"/> – Partition 3	<input type="checkbox"/> – Partition 19
	<input type="checkbox"/> – Partition 4	<input type="checkbox"/> – Partition 20
	<input type="checkbox"/> – Partition 5	<input type="checkbox"/> – Partition 21

	<input type="checkbox"/> - Partition 6	<input type="checkbox"/> - Partition 22
	<input type="checkbox"/> - Partition 7	<input type="checkbox"/> - Partition 23
	<input type="checkbox"/> - Partition 8	<input type="checkbox"/> - Partition 24
	<input type="checkbox"/> - Partition 9	<input type="checkbox"/> - Partition 25
	<input type="checkbox"/> - Partition 10	<input type="checkbox"/> - Partition 26
	<input type="checkbox"/> - Partition 11	<input type="checkbox"/> - Partition 27
	<input type="checkbox"/> - Partition 12	<input type="checkbox"/> - Partition 28
	<input type="checkbox"/> - Partition 13	<input type="checkbox"/> - Partition 29
	<input type="checkbox"/> - Partition 14	<input type="checkbox"/> - Partition 30
	<input type="checkbox"/> - Partition 15	<input type="checkbox"/> - Partition 31
	<input type="checkbox"/> - Partition 16	<input type="checkbox"/> - Partition 32

Partition and Zone Assignment

[201]-[232] Partition Zone Assignment			
(Description on [201]-[232] Partition Zone Assignment)			
[201] Partition 1 Zone Assignment		[202] Partition 2 Zone Assignment	
	Bit		Bit
	1 2 3 4 5 6 7 8		1 2 3 4 5 6 7 8
001 - 01-08	<input checked="" type="checkbox"/> <input checked="" type="checkbox"/> <input checked="" type="checkbox"/> <input checked="" type="checkbox"/> <input checked="" type="checkbox"/> <input checked="" type="checkbox"/> <input checked="" type="checkbox"/> <input checked="" type="checkbox"/>	001 - 01-08	<input type="checkbox"/> <input type="checkbox"/> <input type="checkbox"/> <input type="checkbox"/> <input type="checkbox"/> <input type="checkbox"/> <input type="checkbox"/> <input type="checkbox"/>
002 - 09-16	<input checked="" type="checkbox"/> <input checked="" type="checkbox"/> <input checked="" type="checkbox"/> <input checked="" type="checkbox"/> <input checked="" type="checkbox"/> <input checked="" type="checkbox"/> <input checked="" type="checkbox"/> <input checked="" type="checkbox"/>	002 - 09-16	<input type="checkbox"/> <input type="checkbox"/> <input type="checkbox"/> <input type="checkbox"/> <input type="checkbox"/> <input type="checkbox"/> <input type="checkbox"/> <input type="checkbox"/>
003 - 17-24	<input type="checkbox"/> <input type="checkbox"/> <input type="checkbox"/> <input type="checkbox"/> <input type="checkbox"/> <input type="checkbox"/> <input type="checkbox"/> <input type="checkbox"/>	003 - 17-24	<input type="checkbox"/> <input type="checkbox"/> <input type="checkbox"/> <input type="checkbox"/> <input type="checkbox"/> <input type="checkbox"/> <input type="checkbox"/> <input type="checkbox"/>
004 - 25-32	<input type="checkbox"/> <input type="checkbox"/> <input type="checkbox"/> <input type="checkbox"/> <input type="checkbox"/> <input type="checkbox"/> <input type="checkbox"/> <input type="checkbox"/>	004 - 25-32	<input type="checkbox"/> <input type="checkbox"/> <input type="checkbox"/> <input type="checkbox"/> <input type="checkbox"/> <input type="checkbox"/> <input type="checkbox"/> <input type="checkbox"/>
005 - 33-40	<input type="checkbox"/> <input type="checkbox"/> <input type="checkbox"/> <input type="checkbox"/> <input type="checkbox"/> <input type="checkbox"/> <input type="checkbox"/> <input type="checkbox"/>	005 - 33-40	<input type="checkbox"/> <input type="checkbox"/> <input type="checkbox"/> <input type="checkbox"/> <input type="checkbox"/> <input type="checkbox"/> <input type="checkbox"/> <input type="checkbox"/>
006 - 41-48	<input type="checkbox"/> <input type="checkbox"/> <input type="checkbox"/> <input type="checkbox"/> <input type="checkbox"/> <input type="checkbox"/> <input type="checkbox"/> <input type="checkbox"/>	006 - 41-48	<input type="checkbox"/> <input type="checkbox"/> <input type="checkbox"/> <input type="checkbox"/> <input type="checkbox"/> <input type="checkbox"/> <input type="checkbox"/> <input type="checkbox"/>
007 - 49-56	<input type="checkbox"/> <input type="checkbox"/> <input type="checkbox"/> <input type="checkbox"/> <input type="checkbox"/> <input type="checkbox"/> <input type="checkbox"/> <input type="checkbox"/>	007 - 49-56	<input type="checkbox"/> <input type="checkbox"/> <input type="checkbox"/> <input type="checkbox"/> <input type="checkbox"/> <input type="checkbox"/> <input type="checkbox"/> <input type="checkbox"/>
008 - 57-64	<input type="checkbox"/> <input type="checkbox"/> <input type="checkbox"/> <input type="checkbox"/> <input type="checkbox"/> <input type="checkbox"/> <input type="checkbox"/> <input type="checkbox"/>	008 - 57-64	<input type="checkbox"/> <input type="checkbox"/> <input type="checkbox"/> <input type="checkbox"/> <input type="checkbox"/> <input type="checkbox"/> <input type="checkbox"/> <input type="checkbox"/>
009 - 65-72	<input type="checkbox"/> <input type="checkbox"/> <input type="checkbox"/> <input type="checkbox"/> <input type="checkbox"/> <input type="checkbox"/> <input type="checkbox"/> <input type="checkbox"/>	009 - 65-72	<input type="checkbox"/> <input type="checkbox"/> <input type="checkbox"/> <input type="checkbox"/> <input type="checkbox"/> <input type="checkbox"/> <input type="checkbox"/> <input type="checkbox"/>
010 - 73-80	<input type="checkbox"/> <input type="checkbox"/> <input type="checkbox"/> <input type="checkbox"/> <input type="checkbox"/> <input type="checkbox"/> <input type="checkbox"/> <input type="checkbox"/>	010 - 73-80	<input type="checkbox"/> <input type="checkbox"/> <input type="checkbox"/> <input type="checkbox"/> <input type="checkbox"/> <input type="checkbox"/> <input type="checkbox"/> <input type="checkbox"/>
011 - 81-88	<input type="checkbox"/> <input type="checkbox"/> <input type="checkbox"/> <input type="checkbox"/> <input type="checkbox"/> <input type="checkbox"/> <input type="checkbox"/> <input type="checkbox"/>	011 - 81-88	<input type="checkbox"/> <input type="checkbox"/> <input type="checkbox"/> <input type="checkbox"/> <input type="checkbox"/> <input type="checkbox"/> <input type="checkbox"/> <input type="checkbox"/>
012 - 89-96	<input type="checkbox"/> <input type="checkbox"/> <input type="checkbox"/> <input type="checkbox"/> <input type="checkbox"/> <input type="checkbox"/> <input type="checkbox"/> <input type="checkbox"/>	012 - 89-96	<input type="checkbox"/> <input type="checkbox"/> <input type="checkbox"/> <input type="checkbox"/> <input type="checkbox"/> <input type="checkbox"/> <input type="checkbox"/> <input type="checkbox"/>
013 - 97-104	<input type="checkbox"/> <input type="checkbox"/> <input type="checkbox"/> <input type="checkbox"/> <input type="checkbox"/> <input type="checkbox"/> <input type="checkbox"/> <input type="checkbox"/>	013 - 97-104	<input type="checkbox"/> <input type="checkbox"/> <input type="checkbox"/> <input type="checkbox"/> <input type="checkbox"/> <input type="checkbox"/> <input type="checkbox"/> <input type="checkbox"/>
014 - 105-112	<input type="checkbox"/> <input type="checkbox"/> <input type="checkbox"/> <input type="checkbox"/> <input type="checkbox"/> <input type="checkbox"/> <input type="checkbox"/> <input type="checkbox"/>	014 - 105-112	<input type="checkbox"/> <input type="checkbox"/> <input type="checkbox"/> <input type="checkbox"/> <input type="checkbox"/> <input type="checkbox"/> <input type="checkbox"/> <input type="checkbox"/>
015 - 113-120	<input type="checkbox"/> <input type="checkbox"/> <input type="checkbox"/> <input type="checkbox"/> <input type="checkbox"/> <input type="checkbox"/> <input type="checkbox"/> <input type="checkbox"/>	015 - 113-120	<input type="checkbox"/> <input type="checkbox"/> <input type="checkbox"/> <input type="checkbox"/> <input type="checkbox"/> <input type="checkbox"/> <input type="checkbox"/> <input type="checkbox"/>
016 - 121-128	<input type="checkbox"/> <input type="checkbox"/> <input type="checkbox"/> <input type="checkbox"/> <input type="checkbox"/> <input type="checkbox"/> <input type="checkbox"/> <input type="checkbox"/>	016 - 121-128	<input type="checkbox"/> <input type="checkbox"/> <input type="checkbox"/> <input type="checkbox"/> <input type="checkbox"/> <input type="checkbox"/> <input type="checkbox"/> <input type="checkbox"/>
017 - 129-136	<input type="checkbox"/> <input type="checkbox"/> <input type="checkbox"/> <input type="checkbox"/> <input type="checkbox"/> <input type="checkbox"/> <input type="checkbox"/> <input type="checkbox"/>	017 - 129-136	<input type="checkbox"/> <input type="checkbox"/> <input type="checkbox"/> <input type="checkbox"/> <input type="checkbox"/> <input type="checkbox"/> <input type="checkbox"/> <input type="checkbox"/>
018 - 137-144	<input type="checkbox"/> <input type="checkbox"/> <input type="checkbox"/> <input type="checkbox"/> <input type="checkbox"/> <input type="checkbox"/> <input type="checkbox"/> <input type="checkbox"/>	018 - 137-144	<input type="checkbox"/> <input type="checkbox"/> <input type="checkbox"/> <input type="checkbox"/> <input type="checkbox"/> <input type="checkbox"/> <input type="checkbox"/> <input type="checkbox"/>
019 - 145-152	<input type="checkbox"/> <input type="checkbox"/> <input type="checkbox"/> <input type="checkbox"/> <input type="checkbox"/> <input type="checkbox"/> <input type="checkbox"/> <input type="checkbox"/>	019 - 145-152	<input type="checkbox"/> <input type="checkbox"/> <input type="checkbox"/> <input type="checkbox"/> <input type="checkbox"/> <input type="checkbox"/> <input type="checkbox"/> <input type="checkbox"/>
020 - 153-160	<input type="checkbox"/> <input type="checkbox"/> <input type="checkbox"/> <input type="checkbox"/> <input type="checkbox"/> <input type="checkbox"/> <input type="checkbox"/> <input type="checkbox"/>	020 - 153-160	<input type="checkbox"/> <input type="checkbox"/> <input type="checkbox"/> <input type="checkbox"/> <input type="checkbox"/> <input type="checkbox"/> <input type="checkbox"/> <input type="checkbox"/>

[201]-[232] Partition Zone Assignment			
(Description on [201]-[232] Partition Zone Assignment)			
021 - 161-168	<input type="checkbox"/> <input type="checkbox"/> <input type="checkbox"/> <input type="checkbox"/> <input type="checkbox"/> <input type="checkbox"/> <input type="checkbox"/> <input type="checkbox"/>	021 - 161-168	<input type="checkbox"/> <input type="checkbox"/> <input type="checkbox"/> <input type="checkbox"/> <input type="checkbox"/> <input type="checkbox"/> <input type="checkbox"/> <input type="checkbox"/>
022 - 169-176	<input type="checkbox"/> <input type="checkbox"/> <input type="checkbox"/> <input type="checkbox"/> <input type="checkbox"/> <input type="checkbox"/> <input type="checkbox"/> <input type="checkbox"/>	022 - 169-176	<input type="checkbox"/> <input type="checkbox"/> <input type="checkbox"/> <input type="checkbox"/> <input type="checkbox"/> <input type="checkbox"/> <input type="checkbox"/> <input type="checkbox"/>
023 - 177-184	<input type="checkbox"/> <input type="checkbox"/> <input type="checkbox"/> <input type="checkbox"/> <input type="checkbox"/> <input type="checkbox"/> <input type="checkbox"/> <input type="checkbox"/>	023 - 177-184	<input type="checkbox"/> <input type="checkbox"/> <input type="checkbox"/> <input type="checkbox"/> <input type="checkbox"/> <input type="checkbox"/> <input type="checkbox"/> <input type="checkbox"/>
024 - 185-192	<input type="checkbox"/> <input type="checkbox"/> <input type="checkbox"/> <input type="checkbox"/> <input type="checkbox"/> <input type="checkbox"/> <input type="checkbox"/> <input type="checkbox"/>	024 - 185-192	<input type="checkbox"/> <input type="checkbox"/> <input type="checkbox"/> <input type="checkbox"/> <input type="checkbox"/> <input type="checkbox"/> <input type="checkbox"/> <input type="checkbox"/>
025 - 193-200	<input type="checkbox"/> <input type="checkbox"/> <input type="checkbox"/> <input type="checkbox"/> <input type="checkbox"/> <input type="checkbox"/> <input type="checkbox"/> <input type="checkbox"/>	025 - 193-200	<input type="checkbox"/> <input type="checkbox"/> <input type="checkbox"/> <input type="checkbox"/> <input type="checkbox"/> <input type="checkbox"/> <input type="checkbox"/> <input type="checkbox"/>
026 - 201-208	<input type="checkbox"/> <input type="checkbox"/> <input type="checkbox"/> <input type="checkbox"/> <input type="checkbox"/> <input type="checkbox"/> <input type="checkbox"/> <input type="checkbox"/>	026 - 201-208	<input type="checkbox"/> <input type="checkbox"/> <input type="checkbox"/> <input type="checkbox"/> <input type="checkbox"/> <input type="checkbox"/> <input type="checkbox"/> <input type="checkbox"/>
027 - 209-216	<input type="checkbox"/> <input type="checkbox"/> <input type="checkbox"/> <input type="checkbox"/> <input type="checkbox"/> <input type="checkbox"/> <input type="checkbox"/> <input type="checkbox"/>	027 - 209-216	<input type="checkbox"/> <input type="checkbox"/> <input type="checkbox"/> <input type="checkbox"/> <input type="checkbox"/> <input type="checkbox"/> <input type="checkbox"/> <input type="checkbox"/>
028 - 217-224	<input type="checkbox"/> <input type="checkbox"/> <input type="checkbox"/> <input type="checkbox"/> <input type="checkbox"/> <input type="checkbox"/> <input type="checkbox"/> <input type="checkbox"/>	028 - 217-224	<input type="checkbox"/> <input type="checkbox"/> <input type="checkbox"/> <input type="checkbox"/> <input type="checkbox"/> <input type="checkbox"/> <input type="checkbox"/> <input type="checkbox"/>
029 - 225-232	<input type="checkbox"/> <input type="checkbox"/> <input type="checkbox"/> <input type="checkbox"/> <input type="checkbox"/> <input type="checkbox"/> <input type="checkbox"/> <input type="checkbox"/>	029 - 225-232	<input type="checkbox"/> <input type="checkbox"/> <input type="checkbox"/> <input type="checkbox"/> <input type="checkbox"/> <input type="checkbox"/> <input type="checkbox"/> <input type="checkbox"/>
030 - 233-240	<input type="checkbox"/> <input type="checkbox"/> <input type="checkbox"/> <input type="checkbox"/> <input type="checkbox"/> <input type="checkbox"/> <input type="checkbox"/> <input type="checkbox"/>	030 - 233-240	<input type="checkbox"/> <input type="checkbox"/> <input type="checkbox"/> <input type="checkbox"/> <input type="checkbox"/> <input type="checkbox"/> <input type="checkbox"/> <input type="checkbox"/>
031 - 241-248	<input type="checkbox"/> <input type="checkbox"/> <input type="checkbox"/> <input type="checkbox"/> <input type="checkbox"/> <input type="checkbox"/> <input type="checkbox"/> <input type="checkbox"/>	031 - 241-248	<input type="checkbox"/> <input type="checkbox"/> <input type="checkbox"/> <input type="checkbox"/> <input type="checkbox"/> <input type="checkbox"/> <input type="checkbox"/> <input type="checkbox"/>
[203] Partition 3 Zone Assignment		[204] Partition 4 Zone Assignment	
	Bit		Bit
	1 2 3 4 5 6 7 8		1 2 3 4 5 6 7 8
001 - 01-08	<input type="checkbox"/> <input type="checkbox"/> <input type="checkbox"/> <input type="checkbox"/> <input type="checkbox"/> <input type="checkbox"/> <input type="checkbox"/> <input type="checkbox"/>	001 - 01-08	<input type="checkbox"/> <input type="checkbox"/> <input type="checkbox"/> <input type="checkbox"/> <input type="checkbox"/> <input type="checkbox"/> <input type="checkbox"/> <input type="checkbox"/>
002 - 09-16	<input type="checkbox"/> <input type="checkbox"/> <input type="checkbox"/> <input type="checkbox"/> <input type="checkbox"/> <input type="checkbox"/> <input type="checkbox"/> <input type="checkbox"/>	002 - 09-16	<input type="checkbox"/> <input type="checkbox"/> <input type="checkbox"/> <input type="checkbox"/> <input type="checkbox"/> <input type="checkbox"/> <input type="checkbox"/> <input type="checkbox"/>
003 - 17-24	<input type="checkbox"/> <input type="checkbox"/> <input type="checkbox"/> <input type="checkbox"/> <input type="checkbox"/> <input type="checkbox"/> <input type="checkbox"/> <input type="checkbox"/>	003 - 17-24	<input type="checkbox"/> <input type="checkbox"/> <input type="checkbox"/> <input type="checkbox"/> <input type="checkbox"/> <input type="checkbox"/> <input type="checkbox"/> <input type="checkbox"/>
004 - 25-32	<input type="checkbox"/> <input type="checkbox"/> <input type="checkbox"/> <input type="checkbox"/> <input type="checkbox"/> <input type="checkbox"/> <input type="checkbox"/> <input type="checkbox"/>	004 - 25-32	<input type="checkbox"/> <input type="checkbox"/> <input type="checkbox"/> <input type="checkbox"/> <input type="checkbox"/> <input type="checkbox"/> <input type="checkbox"/> <input type="checkbox"/>
005 - 33-40	<input type="checkbox"/> <input type="checkbox"/> <input type="checkbox"/> <input type="checkbox"/> <input type="checkbox"/> <input type="checkbox"/> <input type="checkbox"/> <input type="checkbox"/>	005 - 33-40	<input type="checkbox"/> <input type="checkbox"/> <input type="checkbox"/> <input type="checkbox"/> <input type="checkbox"/> <input type="checkbox"/> <input type="checkbox"/> <input type="checkbox"/>
006 - 41-48	<input type="checkbox"/> <input type="checkbox"/> <input type="checkbox"/> <input type="checkbox"/> <input type="checkbox"/> <input type="checkbox"/> <input type="checkbox"/> <input type="checkbox"/>	006 - 41-48	<input type="checkbox"/> <input type="checkbox"/> <input type="checkbox"/> <input type="checkbox"/> <input type="checkbox"/> <input type="checkbox"/> <input type="checkbox"/> <input type="checkbox"/>
007 - 49-56	<input type="checkbox"/> <input type="checkbox"/> <input type="checkbox"/> <input type="checkbox"/> <input type="checkbox"/> <input type="checkbox"/> <input type="checkbox"/> <input type="checkbox"/>	007 - 49-56	<input type="checkbox"/> <input type="checkbox"/> <input type="checkbox"/> <input type="checkbox"/> <input type="checkbox"/> <input type="checkbox"/> <input type="checkbox"/> <input type="checkbox"/>
008 - 57-64	<input type="checkbox"/> <input type="checkbox"/> <input type="checkbox"/> <input type="checkbox"/> <input type="checkbox"/> <input type="checkbox"/> <input type="checkbox"/> <input type="checkbox"/>	008 - 57-64	<input type="checkbox"/> <input type="checkbox"/> <input type="checkbox"/> <input type="checkbox"/> <input type="checkbox"/> <input type="checkbox"/> <input type="checkbox"/> <input type="checkbox"/>
009 - 65-72	<input type="checkbox"/> <input type="checkbox"/> <input type="checkbox"/> <input type="checkbox"/> <input type="checkbox"/> <input type="checkbox"/> <input type="checkbox"/> <input type="checkbox"/>	009 - 65-72	<input type="checkbox"/> <input type="checkbox"/> <input type="checkbox"/> <input type="checkbox"/> <input type="checkbox"/> <input type="checkbox"/> <input type="checkbox"/> <input type="checkbox"/>
010 - 73-80	<input type="checkbox"/> <input type="checkbox"/> <input type="checkbox"/> <input type="checkbox"/> <input type="checkbox"/> <input type="checkbox"/> <input type="checkbox"/> <input type="checkbox"/>	010 - 73-80	<input type="checkbox"/> <input type="checkbox"/> <input type="checkbox"/> <input type="checkbox"/> <input type="checkbox"/> <input type="checkbox"/> <input type="checkbox"/> <input type="checkbox"/>
011 - 81-88	<input type="checkbox"/> <input type="checkbox"/> <input type="checkbox"/> <input type="checkbox"/> <input type="checkbox"/> <input type="checkbox"/> <input type="checkbox"/> <input type="checkbox"/>	011 - 81-88	<input type="checkbox"/> <input type="checkbox"/> <input type="checkbox"/> <input type="checkbox"/> <input type="checkbox"/> <input type="checkbox"/> <input type="checkbox"/> <input type="checkbox"/>
012 - 89-96	<input type="checkbox"/> <input type="checkbox"/> <input type="checkbox"/> <input type="checkbox"/> <input type="checkbox"/> <input type="checkbox"/> <input type="checkbox"/> <input type="checkbox"/>	012 - 89-96	<input type="checkbox"/> <input type="checkbox"/> <input type="checkbox"/> <input type="checkbox"/> <input type="checkbox"/> <input type="checkbox"/> <input type="checkbox"/> <input type="checkbox"/>
013 - 97-104	<input type="checkbox"/> <input type="checkbox"/> <input type="checkbox"/> <input type="checkbox"/> <input type="checkbox"/> <input type="checkbox"/> <input type="checkbox"/> <input type="checkbox"/>	013 - 97-104	<input type="checkbox"/> <input type="checkbox"/> <input type="checkbox"/> <input type="checkbox"/> <input type="checkbox"/> <input type="checkbox"/> <input type="checkbox"/> <input type="checkbox"/>
014 - 105-112	<input type="checkbox"/> <input type="checkbox"/> <input type="checkbox"/> <input type="checkbox"/> <input type="checkbox"/> <input type="checkbox"/> <input type="checkbox"/> <input type="checkbox"/>	014 - 105-112	<input type="checkbox"/> <input type="checkbox"/> <input type="checkbox"/> <input type="checkbox"/> <input type="checkbox"/> <input type="checkbox"/> <input type="checkbox"/> <input type="checkbox"/>
015 - 113-120	<input type="checkbox"/> <input type="checkbox"/> <input type="checkbox"/> <input type="checkbox"/> <input type="checkbox"/> <input type="checkbox"/> <input type="checkbox"/> <input type="checkbox"/>	015 - 113-120	<input type="checkbox"/> <input type="checkbox"/> <input type="checkbox"/> <input type="checkbox"/> <input type="checkbox"/> <input type="checkbox"/> <input type="checkbox"/> <input type="checkbox"/>
016 - 121-128	<input type="checkbox"/> <input type="checkbox"/> <input type="checkbox"/> <input type="checkbox"/> <input type="checkbox"/> <input type="checkbox"/> <input type="checkbox"/> <input type="checkbox"/>	016 - 121-128	<input type="checkbox"/> <input type="checkbox"/> <input type="checkbox"/> <input type="checkbox"/> <input type="checkbox"/> <input type="checkbox"/> <input type="checkbox"/> <input type="checkbox"/>
017 - 129-136	<input type="checkbox"/> <input type="checkbox"/> <input type="checkbox"/> <input type="checkbox"/> <input type="checkbox"/> <input type="checkbox"/> <input type="checkbox"/> <input type="checkbox"/>	017 - 129-136	<input type="checkbox"/> <input type="checkbox"/> <input type="checkbox"/> <input type="checkbox"/> <input type="checkbox"/> <input type="checkbox"/> <input type="checkbox"/> <input type="checkbox"/>
018 - 137-144	<input type="checkbox"/> <input type="checkbox"/> <input type="checkbox"/> <input type="checkbox"/> <input type="checkbox"/> <input type="checkbox"/> <input type="checkbox"/> <input type="checkbox"/>	018 - 137-144	<input type="checkbox"/> <input type="checkbox"/> <input type="checkbox"/> <input type="checkbox"/> <input type="checkbox"/> <input type="checkbox"/> <input type="checkbox"/> <input type="checkbox"/>
019 - 145-152	<input type="checkbox"/> <input type="checkbox"/> <input type="checkbox"/> <input type="checkbox"/> <input type="checkbox"/> <input type="checkbox"/> <input type="checkbox"/> <input type="checkbox"/>	019 - 145-152	<input type="checkbox"/> <input type="checkbox"/> <input type="checkbox"/> <input type="checkbox"/> <input type="checkbox"/> <input type="checkbox"/> <input type="checkbox"/> <input type="checkbox"/>
020 - 153-160	<input type="checkbox"/> <input type="checkbox"/> <input type="checkbox"/> <input type="checkbox"/> <input type="checkbox"/> <input type="checkbox"/> <input type="checkbox"/> <input type="checkbox"/>	020 - 153-160	<input type="checkbox"/> <input type="checkbox"/> <input type="checkbox"/> <input type="checkbox"/> <input type="checkbox"/> <input type="checkbox"/> <input type="checkbox"/> <input type="checkbox"/>
021 - 161-168	<input type="checkbox"/> <input type="checkbox"/> <input type="checkbox"/> <input type="checkbox"/> <input type="checkbox"/> <input type="checkbox"/> <input type="checkbox"/> <input type="checkbox"/>	021 - 161-168	<input type="checkbox"/> <input type="checkbox"/> <input type="checkbox"/> <input type="checkbox"/> <input type="checkbox"/> <input type="checkbox"/> <input type="checkbox"/> <input type="checkbox"/>
022 - 169-176	<input type="checkbox"/> <input type="checkbox"/> <input type="checkbox"/> <input type="checkbox"/> <input type="checkbox"/> <input type="checkbox"/> <input type="checkbox"/> <input type="checkbox"/>	022 - 169-176	<input type="checkbox"/> <input type="checkbox"/> <input type="checkbox"/> <input type="checkbox"/> <input type="checkbox"/> <input type="checkbox"/> <input type="checkbox"/> <input type="checkbox"/>
023 - 177-184	<input type="checkbox"/> <input type="checkbox"/> <input type="checkbox"/> <input type="checkbox"/> <input type="checkbox"/> <input type="checkbox"/> <input type="checkbox"/> <input type="checkbox"/>	023 - 177-184	<input type="checkbox"/> <input type="checkbox"/> <input type="checkbox"/> <input type="checkbox"/> <input type="checkbox"/> <input type="checkbox"/> <input type="checkbox"/> <input type="checkbox"/>
024 - 185-192	<input type="checkbox"/> <input type="checkbox"/> <input type="checkbox"/> <input type="checkbox"/> <input type="checkbox"/> <input type="checkbox"/> <input type="checkbox"/> <input type="checkbox"/>	024 - 185-192	<input type="checkbox"/> <input type="checkbox"/> <input type="checkbox"/> <input type="checkbox"/> <input type="checkbox"/> <input type="checkbox"/> <input type="checkbox"/> <input type="checkbox"/>
025 - 193-200	<input type="checkbox"/> <input type="checkbox"/> <input type="checkbox"/> <input type="checkbox"/> <input type="checkbox"/> <input type="checkbox"/> <input type="checkbox"/> <input type="checkbox"/>	025 - 193-200	<input type="checkbox"/> <input type="checkbox"/> <input type="checkbox"/> <input type="checkbox"/> <input type="checkbox"/> <input type="checkbox"/> <input type="checkbox"/> <input type="checkbox"/>

[201]-[232] Partition Zone Assignment			
(Description on [201]-[232] Partition Zone Assignment)			
026 - 201-208	<input type="checkbox"/> <input type="checkbox"/> <input type="checkbox"/> <input type="checkbox"/> <input type="checkbox"/> <input type="checkbox"/> <input type="checkbox"/> <input type="checkbox"/>	026 - 201-208	<input type="checkbox"/> <input type="checkbox"/> <input type="checkbox"/> <input type="checkbox"/> <input type="checkbox"/> <input type="checkbox"/> <input type="checkbox"/> <input type="checkbox"/>
027 - 209-216	<input type="checkbox"/> <input type="checkbox"/> <input type="checkbox"/> <input type="checkbox"/> <input type="checkbox"/> <input type="checkbox"/> <input type="checkbox"/> <input type="checkbox"/>	027 - 209-216	<input type="checkbox"/> <input type="checkbox"/> <input type="checkbox"/> <input type="checkbox"/> <input type="checkbox"/> <input type="checkbox"/> <input type="checkbox"/> <input type="checkbox"/>
028 - 217-224	<input type="checkbox"/> <input type="checkbox"/> <input type="checkbox"/> <input type="checkbox"/> <input type="checkbox"/> <input type="checkbox"/> <input type="checkbox"/> <input type="checkbox"/>	028 - 217-224	<input type="checkbox"/> <input type="checkbox"/> <input type="checkbox"/> <input type="checkbox"/> <input type="checkbox"/> <input type="checkbox"/> <input type="checkbox"/> <input type="checkbox"/>
029 - 225-232	<input type="checkbox"/> <input type="checkbox"/> <input type="checkbox"/> <input type="checkbox"/> <input type="checkbox"/> <input type="checkbox"/> <input type="checkbox"/> <input type="checkbox"/>	029 - 225-232	<input type="checkbox"/> <input type="checkbox"/> <input type="checkbox"/> <input type="checkbox"/> <input type="checkbox"/> <input type="checkbox"/> <input type="checkbox"/> <input type="checkbox"/>
030 - 233-240	<input type="checkbox"/> <input type="checkbox"/> <input type="checkbox"/> <input type="checkbox"/> <input type="checkbox"/> <input type="checkbox"/> <input type="checkbox"/> <input type="checkbox"/>	030 - 233-240	<input type="checkbox"/> <input type="checkbox"/> <input type="checkbox"/> <input type="checkbox"/> <input type="checkbox"/> <input type="checkbox"/> <input type="checkbox"/> <input type="checkbox"/>
031 - 241-248	<input type="checkbox"/> <input type="checkbox"/> <input type="checkbox"/> <input type="checkbox"/> <input type="checkbox"/> <input type="checkbox"/> <input type="checkbox"/> <input type="checkbox"/>	031 - 241-248	<input type="checkbox"/> <input type="checkbox"/> <input type="checkbox"/> <input type="checkbox"/> <input type="checkbox"/> <input type="checkbox"/> <input type="checkbox"/> <input type="checkbox"/>
[205] Partition 5 Zone Assignment		[206] Partition 6 Zone Assignment	
	Bit 1 2 3 4 5 6 7 8		Bit 1 2 3 4 5 6 7 8
001 - 01-08	<input type="checkbox"/> <input type="checkbox"/> <input type="checkbox"/> <input type="checkbox"/> <input type="checkbox"/> <input type="checkbox"/> <input type="checkbox"/> <input type="checkbox"/>	001 - 01-08	<input type="checkbox"/> <input type="checkbox"/> <input type="checkbox"/> <input type="checkbox"/> <input type="checkbox"/> <input type="checkbox"/> <input type="checkbox"/> <input type="checkbox"/>
002 - 09-16	<input type="checkbox"/> <input type="checkbox"/> <input type="checkbox"/> <input type="checkbox"/> <input type="checkbox"/> <input type="checkbox"/> <input type="checkbox"/> <input type="checkbox"/>	002 - 09-16	<input type="checkbox"/> <input type="checkbox"/> <input type="checkbox"/> <input type="checkbox"/> <input type="checkbox"/> <input type="checkbox"/> <input type="checkbox"/> <input type="checkbox"/>
003 - 17-24	<input type="checkbox"/> <input type="checkbox"/> <input type="checkbox"/> <input type="checkbox"/> <input type="checkbox"/> <input type="checkbox"/> <input type="checkbox"/> <input type="checkbox"/>	003 - 17-24	<input type="checkbox"/> <input type="checkbox"/> <input type="checkbox"/> <input type="checkbox"/> <input type="checkbox"/> <input type="checkbox"/> <input type="checkbox"/> <input type="checkbox"/>
004 - 25-32	<input type="checkbox"/> <input type="checkbox"/> <input type="checkbox"/> <input type="checkbox"/> <input type="checkbox"/> <input type="checkbox"/> <input type="checkbox"/> <input type="checkbox"/>	004 - 25-32	<input type="checkbox"/> <input type="checkbox"/> <input type="checkbox"/> <input type="checkbox"/> <input type="checkbox"/> <input type="checkbox"/> <input type="checkbox"/> <input type="checkbox"/>
005 - 33-40	<input type="checkbox"/> <input type="checkbox"/> <input type="checkbox"/> <input type="checkbox"/> <input type="checkbox"/> <input type="checkbox"/> <input type="checkbox"/> <input type="checkbox"/>	005 - 33-40	<input type="checkbox"/> <input type="checkbox"/> <input type="checkbox"/> <input type="checkbox"/> <input type="checkbox"/> <input type="checkbox"/> <input type="checkbox"/> <input type="checkbox"/>
006 - 41-48	<input type="checkbox"/> <input type="checkbox"/> <input type="checkbox"/> <input type="checkbox"/> <input type="checkbox"/> <input type="checkbox"/> <input type="checkbox"/> <input type="checkbox"/>	006 - 41-48	<input type="checkbox"/> <input type="checkbox"/> <input type="checkbox"/> <input type="checkbox"/> <input type="checkbox"/> <input type="checkbox"/> <input type="checkbox"/> <input type="checkbox"/>
007 - 49-56	<input type="checkbox"/> <input type="checkbox"/> <input type="checkbox"/> <input type="checkbox"/> <input type="checkbox"/> <input type="checkbox"/> <input type="checkbox"/> <input type="checkbox"/>	007 - 49-56	<input type="checkbox"/> <input type="checkbox"/> <input type="checkbox"/> <input type="checkbox"/> <input type="checkbox"/> <input type="checkbox"/> <input type="checkbox"/> <input type="checkbox"/>
008 - 57-64	<input type="checkbox"/> <input type="checkbox"/> <input type="checkbox"/> <input type="checkbox"/> <input type="checkbox"/> <input type="checkbox"/> <input type="checkbox"/> <input type="checkbox"/>	008 - 57-64	<input type="checkbox"/> <input type="checkbox"/> <input type="checkbox"/> <input type="checkbox"/> <input type="checkbox"/> <input type="checkbox"/> <input type="checkbox"/> <input type="checkbox"/>
009 - 65-72	<input type="checkbox"/> <input type="checkbox"/> <input type="checkbox"/> <input type="checkbox"/> <input type="checkbox"/> <input type="checkbox"/> <input type="checkbox"/> <input type="checkbox"/>	009 - 65-72	<input type="checkbox"/> <input type="checkbox"/> <input type="checkbox"/> <input type="checkbox"/> <input type="checkbox"/> <input type="checkbox"/> <input type="checkbox"/> <input type="checkbox"/>
010 - 73-80	<input type="checkbox"/> <input type="checkbox"/> <input type="checkbox"/> <input type="checkbox"/> <input type="checkbox"/> <input type="checkbox"/> <input type="checkbox"/> <input type="checkbox"/>	010 - 73-80	<input type="checkbox"/> <input type="checkbox"/> <input type="checkbox"/> <input type="checkbox"/> <input type="checkbox"/> <input type="checkbox"/> <input type="checkbox"/> <input type="checkbox"/>
011 - 81-88	<input type="checkbox"/> <input type="checkbox"/> <input type="checkbox"/> <input type="checkbox"/> <input type="checkbox"/> <input type="checkbox"/> <input type="checkbox"/> <input type="checkbox"/>	011 - 81-88	<input type="checkbox"/> <input type="checkbox"/> <input type="checkbox"/> <input type="checkbox"/> <input type="checkbox"/> <input type="checkbox"/> <input type="checkbox"/> <input type="checkbox"/>
012 - 89-96	<input type="checkbox"/> <input type="checkbox"/> <input type="checkbox"/> <input type="checkbox"/> <input type="checkbox"/> <input type="checkbox"/> <input type="checkbox"/> <input type="checkbox"/>	012 - 89-96	<input type="checkbox"/> <input type="checkbox"/> <input type="checkbox"/> <input type="checkbox"/> <input type="checkbox"/> <input type="checkbox"/> <input type="checkbox"/> <input type="checkbox"/>
013 - 97-104	<input type="checkbox"/> <input type="checkbox"/> <input type="checkbox"/> <input type="checkbox"/> <input type="checkbox"/> <input type="checkbox"/> <input type="checkbox"/> <input type="checkbox"/>	013 - 97-104	<input type="checkbox"/> <input type="checkbox"/> <input type="checkbox"/> <input type="checkbox"/> <input type="checkbox"/> <input type="checkbox"/> <input type="checkbox"/> <input type="checkbox"/>
014 - 105-112	<input type="checkbox"/> <input type="checkbox"/> <input type="checkbox"/> <input type="checkbox"/> <input type="checkbox"/> <input type="checkbox"/> <input type="checkbox"/> <input type="checkbox"/>	014 - 105-112	<input type="checkbox"/> <input type="checkbox"/> <input type="checkbox"/> <input type="checkbox"/> <input type="checkbox"/> <input type="checkbox"/> <input type="checkbox"/> <input type="checkbox"/>
015 - 113-120	<input type="checkbox"/> <input type="checkbox"/> <input type="checkbox"/> <input type="checkbox"/> <input type="checkbox"/> <input type="checkbox"/> <input type="checkbox"/> <input type="checkbox"/>	015 - 113-120	<input type="checkbox"/> <input type="checkbox"/> <input type="checkbox"/> <input type="checkbox"/> <input type="checkbox"/> <input type="checkbox"/> <input type="checkbox"/> <input type="checkbox"/>
016 - 121-128	<input type="checkbox"/> <input type="checkbox"/> <input type="checkbox"/> <input type="checkbox"/> <input type="checkbox"/> <input type="checkbox"/> <input type="checkbox"/> <input type="checkbox"/>	016 - 121-128	<input type="checkbox"/> <input type="checkbox"/> <input type="checkbox"/> <input type="checkbox"/> <input type="checkbox"/> <input type="checkbox"/> <input type="checkbox"/> <input type="checkbox"/>
017 - 129-136	<input type="checkbox"/> <input type="checkbox"/> <input type="checkbox"/> <input type="checkbox"/> <input type="checkbox"/> <input type="checkbox"/> <input type="checkbox"/> <input type="checkbox"/>	017 - 129-136	<input type="checkbox"/> <input type="checkbox"/> <input type="checkbox"/> <input type="checkbox"/> <input type="checkbox"/> <input type="checkbox"/> <input type="checkbox"/> <input type="checkbox"/>
018 - 137-144	<input type="checkbox"/> <input type="checkbox"/> <input type="checkbox"/> <input type="checkbox"/> <input type="checkbox"/> <input type="checkbox"/> <input type="checkbox"/> <input type="checkbox"/>	018 - 137-144	<input type="checkbox"/> <input type="checkbox"/> <input type="checkbox"/> <input type="checkbox"/> <input type="checkbox"/> <input type="checkbox"/> <input type="checkbox"/> <input type="checkbox"/>
019 - 145-152	<input type="checkbox"/> <input type="checkbox"/> <input type="checkbox"/> <input type="checkbox"/> <input type="checkbox"/> <input type="checkbox"/> <input type="checkbox"/> <input type="checkbox"/>	019 - 145-152	<input type="checkbox"/> <input type="checkbox"/> <input type="checkbox"/> <input type="checkbox"/> <input type="checkbox"/> <input type="checkbox"/> <input type="checkbox"/> <input type="checkbox"/>
020 - 153-160	<input type="checkbox"/> <input type="checkbox"/> <input type="checkbox"/> <input type="checkbox"/> <input type="checkbox"/> <input type="checkbox"/> <input type="checkbox"/> <input type="checkbox"/>	020 - 153-160	<input type="checkbox"/> <input type="checkbox"/> <input type="checkbox"/> <input type="checkbox"/> <input type="checkbox"/> <input type="checkbox"/> <input type="checkbox"/> <input type="checkbox"/>
021 - 161-168	<input type="checkbox"/> <input type="checkbox"/> <input type="checkbox"/> <input type="checkbox"/> <input type="checkbox"/> <input type="checkbox"/> <input type="checkbox"/> <input type="checkbox"/>	021 - 161-168	<input type="checkbox"/> <input type="checkbox"/> <input type="checkbox"/> <input type="checkbox"/> <input type="checkbox"/> <input type="checkbox"/> <input type="checkbox"/> <input type="checkbox"/>
022 - 169-176	<input type="checkbox"/> <input type="checkbox"/> <input type="checkbox"/> <input type="checkbox"/> <input type="checkbox"/> <input type="checkbox"/> <input type="checkbox"/> <input type="checkbox"/>	022 - 169-176	<input type="checkbox"/> <input type="checkbox"/> <input type="checkbox"/> <input type="checkbox"/> <input type="checkbox"/> <input type="checkbox"/> <input type="checkbox"/> <input type="checkbox"/>
023 - 177-184	<input type="checkbox"/> <input type="checkbox"/> <input type="checkbox"/> <input type="checkbox"/> <input type="checkbox"/> <input type="checkbox"/> <input type="checkbox"/> <input type="checkbox"/>	023 - 177-184	<input type="checkbox"/> <input type="checkbox"/> <input type="checkbox"/> <input type="checkbox"/> <input type="checkbox"/> <input type="checkbox"/> <input type="checkbox"/> <input type="checkbox"/>
024 - 185-192	<input type="checkbox"/> <input type="checkbox"/> <input type="checkbox"/> <input type="checkbox"/> <input type="checkbox"/> <input type="checkbox"/> <input type="checkbox"/> <input type="checkbox"/>	024 - 185-192	<input type="checkbox"/> <input type="checkbox"/> <input type="checkbox"/> <input type="checkbox"/> <input type="checkbox"/> <input type="checkbox"/> <input type="checkbox"/> <input type="checkbox"/>
025 - 193-200	<input type="checkbox"/> <input type="checkbox"/> <input type="checkbox"/> <input type="checkbox"/> <input type="checkbox"/> <input type="checkbox"/> <input type="checkbox"/> <input type="checkbox"/>	025 - 193-200	<input type="checkbox"/> <input type="checkbox"/> <input type="checkbox"/> <input type="checkbox"/> <input type="checkbox"/> <input type="checkbox"/> <input type="checkbox"/> <input type="checkbox"/>
026 - 201-208	<input type="checkbox"/> <input type="checkbox"/> <input type="checkbox"/> <input type="checkbox"/> <input type="checkbox"/> <input type="checkbox"/> <input type="checkbox"/> <input type="checkbox"/>	026 - 201-208	<input type="checkbox"/> <input type="checkbox"/> <input type="checkbox"/> <input type="checkbox"/> <input type="checkbox"/> <input type="checkbox"/> <input type="checkbox"/> <input type="checkbox"/>
027 - 209-216	<input type="checkbox"/> <input type="checkbox"/> <input type="checkbox"/> <input type="checkbox"/> <input type="checkbox"/> <input type="checkbox"/> <input type="checkbox"/> <input type="checkbox"/>	027 - 209-216	<input type="checkbox"/> <input type="checkbox"/> <input type="checkbox"/> <input type="checkbox"/> <input type="checkbox"/> <input type="checkbox"/> <input type="checkbox"/> <input type="checkbox"/>
028 - 217-224	<input type="checkbox"/> <input type="checkbox"/> <input type="checkbox"/> <input type="checkbox"/> <input type="checkbox"/> <input type="checkbox"/> <input type="checkbox"/> <input type="checkbox"/>	028 - 217-224	<input type="checkbox"/> <input type="checkbox"/> <input type="checkbox"/> <input type="checkbox"/> <input type="checkbox"/> <input type="checkbox"/> <input type="checkbox"/> <input type="checkbox"/>
029 - 225-232	<input type="checkbox"/> <input type="checkbox"/> <input type="checkbox"/> <input type="checkbox"/> <input type="checkbox"/> <input type="checkbox"/> <input type="checkbox"/> <input type="checkbox"/>	029 - 225-232	<input type="checkbox"/> <input type="checkbox"/> <input type="checkbox"/> <input type="checkbox"/> <input type="checkbox"/> <input type="checkbox"/> <input type="checkbox"/> <input type="checkbox"/>
030 - 233-240	<input type="checkbox"/> <input type="checkbox"/> <input type="checkbox"/> <input type="checkbox"/> <input type="checkbox"/> <input type="checkbox"/> <input type="checkbox"/> <input type="checkbox"/>	030 - 233-240	<input type="checkbox"/> <input type="checkbox"/> <input type="checkbox"/> <input type="checkbox"/> <input type="checkbox"/> <input type="checkbox"/> <input type="checkbox"/> <input type="checkbox"/>

[201]-[232] Partition Zone Assignment			
(Description on [201]-[232] Partition Zone Assignment)			
031 - 241-248	<input type="checkbox"/> <input type="checkbox"/> <input type="checkbox"/> <input type="checkbox"/> <input type="checkbox"/> <input type="checkbox"/> <input type="checkbox"/> <input type="checkbox"/> <input type="checkbox"/>	031 - 241-248	<input type="checkbox"/> <input type="checkbox"/> <input type="checkbox"/> <input type="checkbox"/> <input type="checkbox"/> <input type="checkbox"/> <input type="checkbox"/> <input type="checkbox"/>
[207] Partition 7 Zone Assignment		[208] Partition 8 Zone Assignment	
	Bit 1 2 3 4 5 6 7 8		Bit 1 2 3 4 5 6 7 8
001 - 01-08	<input type="checkbox"/> <input type="checkbox"/> <input type="checkbox"/> <input type="checkbox"/> <input type="checkbox"/> <input type="checkbox"/> <input type="checkbox"/> <input type="checkbox"/>	001 - 01-08	<input type="checkbox"/> <input type="checkbox"/> <input type="checkbox"/> <input type="checkbox"/> <input type="checkbox"/> <input type="checkbox"/> <input type="checkbox"/> <input type="checkbox"/>
002 - 09-16	<input type="checkbox"/> <input type="checkbox"/> <input type="checkbox"/> <input type="checkbox"/> <input type="checkbox"/> <input type="checkbox"/> <input type="checkbox"/> <input type="checkbox"/>	002 - 09-16	<input type="checkbox"/> <input type="checkbox"/> <input type="checkbox"/> <input type="checkbox"/> <input type="checkbox"/> <input type="checkbox"/> <input type="checkbox"/> <input type="checkbox"/>
003 - 17-24	<input type="checkbox"/> <input type="checkbox"/> <input type="checkbox"/> <input type="checkbox"/> <input type="checkbox"/> <input type="checkbox"/> <input type="checkbox"/> <input type="checkbox"/>	003 - 17-24	<input type="checkbox"/> <input type="checkbox"/> <input type="checkbox"/> <input type="checkbox"/> <input type="checkbox"/> <input type="checkbox"/> <input type="checkbox"/> <input type="checkbox"/>
004 - 25-32	<input type="checkbox"/> <input type="checkbox"/> <input type="checkbox"/> <input type="checkbox"/> <input type="checkbox"/> <input type="checkbox"/> <input type="checkbox"/> <input type="checkbox"/>	004 - 25-32	<input type="checkbox"/> <input type="checkbox"/> <input type="checkbox"/> <input type="checkbox"/> <input type="checkbox"/> <input type="checkbox"/> <input type="checkbox"/> <input type="checkbox"/>
005 - 33-40	<input type="checkbox"/> <input type="checkbox"/> <input type="checkbox"/> <input type="checkbox"/> <input type="checkbox"/> <input type="checkbox"/> <input type="checkbox"/> <input type="checkbox"/>	005 - 33-40	<input type="checkbox"/> <input type="checkbox"/> <input type="checkbox"/> <input type="checkbox"/> <input type="checkbox"/> <input type="checkbox"/> <input type="checkbox"/> <input type="checkbox"/>
006 - 41-48	<input type="checkbox"/> <input type="checkbox"/> <input type="checkbox"/> <input type="checkbox"/> <input type="checkbox"/> <input type="checkbox"/> <input type="checkbox"/> <input type="checkbox"/>	006 - 41-48	<input type="checkbox"/> <input type="checkbox"/> <input type="checkbox"/> <input type="checkbox"/> <input type="checkbox"/> <input type="checkbox"/> <input type="checkbox"/> <input type="checkbox"/>
007 - 49-56	<input type="checkbox"/> <input type="checkbox"/> <input type="checkbox"/> <input type="checkbox"/> <input type="checkbox"/> <input type="checkbox"/> <input type="checkbox"/> <input type="checkbox"/>	007 - 49-56	<input type="checkbox"/> <input type="checkbox"/> <input type="checkbox"/> <input type="checkbox"/> <input type="checkbox"/> <input type="checkbox"/> <input type="checkbox"/> <input type="checkbox"/>
008 - 57-64	<input type="checkbox"/> <input type="checkbox"/> <input type="checkbox"/> <input type="checkbox"/> <input type="checkbox"/> <input type="checkbox"/> <input type="checkbox"/> <input type="checkbox"/>	008 - 57-64	<input type="checkbox"/> <input type="checkbox"/> <input type="checkbox"/> <input type="checkbox"/> <input type="checkbox"/> <input type="checkbox"/> <input type="checkbox"/> <input type="checkbox"/>
009 - 65-72	<input type="checkbox"/> <input type="checkbox"/> <input type="checkbox"/> <input type="checkbox"/> <input type="checkbox"/> <input type="checkbox"/> <input type="checkbox"/> <input type="checkbox"/>	009 - 65-72	<input type="checkbox"/> <input type="checkbox"/> <input type="checkbox"/> <input type="checkbox"/> <input type="checkbox"/> <input type="checkbox"/> <input type="checkbox"/> <input type="checkbox"/>
010 - 73-80	<input type="checkbox"/> <input type="checkbox"/> <input type="checkbox"/> <input type="checkbox"/> <input type="checkbox"/> <input type="checkbox"/> <input type="checkbox"/> <input type="checkbox"/>	010 - 73-80	<input type="checkbox"/> <input type="checkbox"/> <input type="checkbox"/> <input type="checkbox"/> <input type="checkbox"/> <input type="checkbox"/> <input type="checkbox"/> <input type="checkbox"/>
011 - 81-88	<input type="checkbox"/> <input type="checkbox"/> <input type="checkbox"/> <input type="checkbox"/> <input type="checkbox"/> <input type="checkbox"/> <input type="checkbox"/> <input type="checkbox"/>	011 - 81-88	<input type="checkbox"/> <input type="checkbox"/> <input type="checkbox"/> <input type="checkbox"/> <input type="checkbox"/> <input type="checkbox"/> <input type="checkbox"/> <input type="checkbox"/>
012 - 89-96	<input type="checkbox"/> <input type="checkbox"/> <input type="checkbox"/> <input type="checkbox"/> <input type="checkbox"/> <input type="checkbox"/> <input type="checkbox"/> <input type="checkbox"/>	012 - 89-96	<input type="checkbox"/> <input type="checkbox"/> <input type="checkbox"/> <input type="checkbox"/> <input type="checkbox"/> <input type="checkbox"/> <input type="checkbox"/> <input type="checkbox"/>
013 - 97-104	<input type="checkbox"/> <input type="checkbox"/> <input type="checkbox"/> <input type="checkbox"/> <input type="checkbox"/> <input type="checkbox"/> <input type="checkbox"/> <input type="checkbox"/>	013 - 97-104	<input type="checkbox"/> <input type="checkbox"/> <input type="checkbox"/> <input type="checkbox"/> <input type="checkbox"/> <input type="checkbox"/> <input type="checkbox"/> <input type="checkbox"/>
014 - 105-112	<input type="checkbox"/> <input type="checkbox"/> <input type="checkbox"/> <input type="checkbox"/> <input type="checkbox"/> <input type="checkbox"/> <input type="checkbox"/> <input type="checkbox"/>	014 - 105-112	<input type="checkbox"/> <input type="checkbox"/> <input type="checkbox"/> <input type="checkbox"/> <input type="checkbox"/> <input type="checkbox"/> <input type="checkbox"/> <input type="checkbox"/>
015 - 113-120	<input type="checkbox"/> <input type="checkbox"/> <input type="checkbox"/> <input type="checkbox"/> <input type="checkbox"/> <input type="checkbox"/> <input type="checkbox"/> <input type="checkbox"/>	015 - 113-120	<input type="checkbox"/> <input type="checkbox"/> <input type="checkbox"/> <input type="checkbox"/> <input type="checkbox"/> <input type="checkbox"/> <input type="checkbox"/> <input type="checkbox"/>
016 - 121-128	<input type="checkbox"/> <input type="checkbox"/> <input type="checkbox"/> <input type="checkbox"/> <input type="checkbox"/> <input type="checkbox"/> <input type="checkbox"/> <input type="checkbox"/>	016 - 121-128	<input type="checkbox"/> <input type="checkbox"/> <input type="checkbox"/> <input type="checkbox"/> <input type="checkbox"/> <input type="checkbox"/> <input type="checkbox"/> <input type="checkbox"/>
017 - 129-136	<input type="checkbox"/> <input type="checkbox"/> <input type="checkbox"/> <input type="checkbox"/> <input type="checkbox"/> <input type="checkbox"/> <input type="checkbox"/> <input type="checkbox"/>	017 - 129-136	<input type="checkbox"/> <input type="checkbox"/> <input type="checkbox"/> <input type="checkbox"/> <input type="checkbox"/> <input type="checkbox"/> <input type="checkbox"/> <input type="checkbox"/>
018 - 137-144	<input type="checkbox"/> <input type="checkbox"/> <input type="checkbox"/> <input type="checkbox"/> <input type="checkbox"/> <input type="checkbox"/> <input type="checkbox"/> <input type="checkbox"/>	018 - 137-144	<input type="checkbox"/> <input type="checkbox"/> <input type="checkbox"/> <input type="checkbox"/> <input type="checkbox"/> <input type="checkbox"/> <input type="checkbox"/> <input type="checkbox"/>
019 - 145-152	<input type="checkbox"/> <input type="checkbox"/> <input type="checkbox"/> <input type="checkbox"/> <input type="checkbox"/> <input type="checkbox"/> <input type="checkbox"/> <input type="checkbox"/>	019 - 145-152	<input type="checkbox"/> <input type="checkbox"/> <input type="checkbox"/> <input type="checkbox"/> <input type="checkbox"/> <input type="checkbox"/> <input type="checkbox"/> <input type="checkbox"/>
020 - 153-160	<input type="checkbox"/> <input type="checkbox"/> <input type="checkbox"/> <input type="checkbox"/> <input type="checkbox"/> <input type="checkbox"/> <input type="checkbox"/> <input type="checkbox"/>	020 - 153-160	<input type="checkbox"/> <input type="checkbox"/> <input type="checkbox"/> <input type="checkbox"/> <input type="checkbox"/> <input type="checkbox"/> <input type="checkbox"/> <input type="checkbox"/>
021 - 161-168	<input type="checkbox"/> <input type="checkbox"/> <input type="checkbox"/> <input type="checkbox"/> <input type="checkbox"/> <input type="checkbox"/> <input type="checkbox"/> <input type="checkbox"/>	021 - 161-168	<input type="checkbox"/> <input type="checkbox"/> <input type="checkbox"/> <input type="checkbox"/> <input type="checkbox"/> <input type="checkbox"/> <input type="checkbox"/> <input type="checkbox"/>
022 - 169-176	<input type="checkbox"/> <input type="checkbox"/> <input type="checkbox"/> <input type="checkbox"/> <input type="checkbox"/> <input type="checkbox"/> <input type="checkbox"/> <input type="checkbox"/>	022 - 169-176	<input type="checkbox"/> <input type="checkbox"/> <input type="checkbox"/> <input type="checkbox"/> <input type="checkbox"/> <input type="checkbox"/> <input type="checkbox"/> <input type="checkbox"/>
023 - 177-184	<input type="checkbox"/> <input type="checkbox"/> <input type="checkbox"/> <input type="checkbox"/> <input type="checkbox"/> <input type="checkbox"/> <input type="checkbox"/> <input type="checkbox"/>	023 - 177-184	<input type="checkbox"/> <input type="checkbox"/> <input type="checkbox"/> <input type="checkbox"/> <input type="checkbox"/> <input type="checkbox"/> <input type="checkbox"/> <input type="checkbox"/>
024 - 185-192	<input type="checkbox"/> <input type="checkbox"/> <input type="checkbox"/> <input type="checkbox"/> <input type="checkbox"/> <input type="checkbox"/> <input type="checkbox"/> <input type="checkbox"/>	024 - 185-192	<input type="checkbox"/> <input type="checkbox"/> <input type="checkbox"/> <input type="checkbox"/> <input type="checkbox"/> <input type="checkbox"/> <input type="checkbox"/> <input type="checkbox"/>
025 - 193-200	<input type="checkbox"/> <input type="checkbox"/> <input type="checkbox"/> <input type="checkbox"/> <input type="checkbox"/> <input type="checkbox"/> <input type="checkbox"/> <input type="checkbox"/>	025 - 193-200	<input type="checkbox"/> <input type="checkbox"/> <input type="checkbox"/> <input type="checkbox"/> <input type="checkbox"/> <input type="checkbox"/> <input type="checkbox"/> <input type="checkbox"/>
026 - 201-208	<input type="checkbox"/> <input type="checkbox"/> <input type="checkbox"/> <input type="checkbox"/> <input type="checkbox"/> <input type="checkbox"/> <input type="checkbox"/> <input type="checkbox"/>	026 - 201-208	<input type="checkbox"/> <input type="checkbox"/> <input type="checkbox"/> <input type="checkbox"/> <input type="checkbox"/> <input type="checkbox"/> <input type="checkbox"/> <input type="checkbox"/>
027 - 209-216	<input type="checkbox"/> <input type="checkbox"/> <input type="checkbox"/> <input type="checkbox"/> <input type="checkbox"/> <input type="checkbox"/> <input type="checkbox"/> <input type="checkbox"/>	027 - 209-216	<input type="checkbox"/> <input type="checkbox"/> <input type="checkbox"/> <input type="checkbox"/> <input type="checkbox"/> <input type="checkbox"/> <input type="checkbox"/> <input type="checkbox"/>
028 - 217-224	<input type="checkbox"/> <input type="checkbox"/> <input type="checkbox"/> <input type="checkbox"/> <input type="checkbox"/> <input type="checkbox"/> <input type="checkbox"/> <input type="checkbox"/>	028 - 217-224	<input type="checkbox"/> <input type="checkbox"/> <input type="checkbox"/> <input type="checkbox"/> <input type="checkbox"/> <input type="checkbox"/> <input type="checkbox"/> <input type="checkbox"/>
029 - 225-232	<input type="checkbox"/> <input type="checkbox"/> <input type="checkbox"/> <input type="checkbox"/> <input type="checkbox"/> <input type="checkbox"/> <input type="checkbox"/> <input type="checkbox"/>	029 - 225-232	<input type="checkbox"/> <input type="checkbox"/> <input type="checkbox"/> <input type="checkbox"/> <input type="checkbox"/> <input type="checkbox"/> <input type="checkbox"/> <input type="checkbox"/>
030 - 233-240	<input type="checkbox"/> <input type="checkbox"/> <input type="checkbox"/> <input type="checkbox"/> <input type="checkbox"/> <input type="checkbox"/> <input type="checkbox"/> <input type="checkbox"/>	030 - 233-240	<input type="checkbox"/> <input type="checkbox"/> <input type="checkbox"/> <input type="checkbox"/> <input type="checkbox"/> <input type="checkbox"/> <input type="checkbox"/> <input type="checkbox"/>
031 - 241-248	<input type="checkbox"/> <input type="checkbox"/> <input type="checkbox"/> <input type="checkbox"/> <input type="checkbox"/> <input type="checkbox"/> <input type="checkbox"/> <input type="checkbox"/>	031 - 241-248	<input type="checkbox"/> <input type="checkbox"/> <input type="checkbox"/> <input type="checkbox"/> <input type="checkbox"/> <input type="checkbox"/> <input type="checkbox"/> <input type="checkbox"/>
[209] Partition 9 Zone Assignment		[210] Partition 10 Zone Assignment	
	Bit 1 2 3 4 5 6 7 8		Bit 1 2 3 4 5 6 7 8

[201]-[232] Partition Zone Assignment			
(Description on [201]-[232] Partition Zone Assignment)			
001 - 01-08	<input type="checkbox"/> <input type="checkbox"/> <input type="checkbox"/> <input type="checkbox"/> <input type="checkbox"/> <input type="checkbox"/> <input type="checkbox"/> <input type="checkbox"/>	001 - 01-08	<input type="checkbox"/> <input type="checkbox"/> <input type="checkbox"/> <input type="checkbox"/> <input type="checkbox"/> <input type="checkbox"/> <input type="checkbox"/> <input type="checkbox"/>
002 - 09-16	<input type="checkbox"/> <input type="checkbox"/> <input type="checkbox"/> <input type="checkbox"/> <input type="checkbox"/> <input type="checkbox"/> <input type="checkbox"/> <input type="checkbox"/>	002 - 09-16	<input type="checkbox"/> <input type="checkbox"/> <input type="checkbox"/> <input type="checkbox"/> <input type="checkbox"/> <input type="checkbox"/> <input type="checkbox"/> <input type="checkbox"/>
003 - 17-24	<input type="checkbox"/> <input type="checkbox"/> <input type="checkbox"/> <input type="checkbox"/> <input type="checkbox"/> <input type="checkbox"/> <input type="checkbox"/> <input type="checkbox"/>	003 - 17-24	<input type="checkbox"/> <input type="checkbox"/> <input type="checkbox"/> <input type="checkbox"/> <input type="checkbox"/> <input type="checkbox"/> <input type="checkbox"/> <input type="checkbox"/>
004 - 25-32	<input type="checkbox"/> <input type="checkbox"/> <input type="checkbox"/> <input type="checkbox"/> <input type="checkbox"/> <input type="checkbox"/> <input type="checkbox"/> <input type="checkbox"/>	004 - 25-32	<input type="checkbox"/> <input type="checkbox"/> <input type="checkbox"/> <input type="checkbox"/> <input type="checkbox"/> <input type="checkbox"/> <input type="checkbox"/> <input type="checkbox"/>
005 - 33-40	<input type="checkbox"/> <input type="checkbox"/> <input type="checkbox"/> <input type="checkbox"/> <input type="checkbox"/> <input type="checkbox"/> <input type="checkbox"/> <input type="checkbox"/>	005 - 33-40	<input type="checkbox"/> <input type="checkbox"/> <input type="checkbox"/> <input type="checkbox"/> <input type="checkbox"/> <input type="checkbox"/> <input type="checkbox"/> <input type="checkbox"/>
006 - 41-48	<input type="checkbox"/> <input type="checkbox"/> <input type="checkbox"/> <input type="checkbox"/> <input type="checkbox"/> <input type="checkbox"/> <input type="checkbox"/> <input type="checkbox"/>	006 - 41-48	<input type="checkbox"/> <input type="checkbox"/> <input type="checkbox"/> <input type="checkbox"/> <input type="checkbox"/> <input type="checkbox"/> <input type="checkbox"/> <input type="checkbox"/>
007 - 49-56	<input type="checkbox"/> <input type="checkbox"/> <input type="checkbox"/> <input type="checkbox"/> <input type="checkbox"/> <input type="checkbox"/> <input type="checkbox"/> <input type="checkbox"/>	007 - 49-56	<input type="checkbox"/> <input type="checkbox"/> <input type="checkbox"/> <input type="checkbox"/> <input type="checkbox"/> <input type="checkbox"/> <input type="checkbox"/> <input type="checkbox"/>
008 - 57-64	<input type="checkbox"/> <input type="checkbox"/> <input type="checkbox"/> <input type="checkbox"/> <input type="checkbox"/> <input type="checkbox"/> <input type="checkbox"/> <input type="checkbox"/>	008 - 57-64	<input type="checkbox"/> <input type="checkbox"/> <input type="checkbox"/> <input type="checkbox"/> <input type="checkbox"/> <input type="checkbox"/> <input type="checkbox"/> <input type="checkbox"/>
009 - 65-72	<input type="checkbox"/> <input type="checkbox"/> <input type="checkbox"/> <input type="checkbox"/> <input type="checkbox"/> <input type="checkbox"/> <input type="checkbox"/> <input type="checkbox"/>	009 - 65-72	<input type="checkbox"/> <input type="checkbox"/> <input type="checkbox"/> <input type="checkbox"/> <input type="checkbox"/> <input type="checkbox"/> <input type="checkbox"/> <input type="checkbox"/>
010 - 73-80	<input type="checkbox"/> <input type="checkbox"/> <input type="checkbox"/> <input type="checkbox"/> <input type="checkbox"/> <input type="checkbox"/> <input type="checkbox"/> <input type="checkbox"/>	010 - 73-80	<input type="checkbox"/> <input type="checkbox"/> <input type="checkbox"/> <input type="checkbox"/> <input type="checkbox"/> <input type="checkbox"/> <input type="checkbox"/> <input type="checkbox"/>
011 - 81-88	<input type="checkbox"/> <input type="checkbox"/> <input type="checkbox"/> <input type="checkbox"/> <input type="checkbox"/> <input type="checkbox"/> <input type="checkbox"/> <input type="checkbox"/>	011 - 81-88	<input type="checkbox"/> <input type="checkbox"/> <input type="checkbox"/> <input type="checkbox"/> <input type="checkbox"/> <input type="checkbox"/> <input type="checkbox"/> <input type="checkbox"/>
012 - 89-96	<input type="checkbox"/> <input type="checkbox"/> <input type="checkbox"/> <input type="checkbox"/> <input type="checkbox"/> <input type="checkbox"/> <input type="checkbox"/> <input type="checkbox"/>	012 - 89-96	<input type="checkbox"/> <input type="checkbox"/> <input type="checkbox"/> <input type="checkbox"/> <input type="checkbox"/> <input type="checkbox"/> <input type="checkbox"/> <input type="checkbox"/>
013 - 97-104	<input type="checkbox"/> <input type="checkbox"/> <input type="checkbox"/> <input type="checkbox"/> <input type="checkbox"/> <input type="checkbox"/> <input type="checkbox"/> <input type="checkbox"/>	013 - 97-104	<input type="checkbox"/> <input type="checkbox"/> <input type="checkbox"/> <input type="checkbox"/> <input type="checkbox"/> <input type="checkbox"/> <input type="checkbox"/> <input type="checkbox"/>
014 - 105-112	<input type="checkbox"/> <input type="checkbox"/> <input type="checkbox"/> <input type="checkbox"/> <input type="checkbox"/> <input type="checkbox"/> <input type="checkbox"/> <input type="checkbox"/>	014 - 105-112	<input type="checkbox"/> <input type="checkbox"/> <input type="checkbox"/> <input type="checkbox"/> <input type="checkbox"/> <input type="checkbox"/> <input type="checkbox"/> <input type="checkbox"/>
015 - 113-120	<input type="checkbox"/> <input type="checkbox"/> <input type="checkbox"/> <input type="checkbox"/> <input type="checkbox"/> <input type="checkbox"/> <input type="checkbox"/> <input type="checkbox"/>	015 - 113-120	<input type="checkbox"/> <input type="checkbox"/> <input type="checkbox"/> <input type="checkbox"/> <input type="checkbox"/> <input type="checkbox"/> <input type="checkbox"/> <input type="checkbox"/>
016 - 121-128	<input type="checkbox"/> <input type="checkbox"/> <input type="checkbox"/> <input type="checkbox"/> <input type="checkbox"/> <input type="checkbox"/> <input type="checkbox"/> <input type="checkbox"/>	016 - 121-128	<input type="checkbox"/> <input type="checkbox"/> <input type="checkbox"/> <input type="checkbox"/> <input type="checkbox"/> <input type="checkbox"/> <input type="checkbox"/> <input type="checkbox"/>
017 - 129-136	<input type="checkbox"/> <input type="checkbox"/> <input type="checkbox"/> <input type="checkbox"/> <input type="checkbox"/> <input type="checkbox"/> <input type="checkbox"/> <input type="checkbox"/>	017 - 129-136	<input type="checkbox"/> <input type="checkbox"/> <input type="checkbox"/> <input type="checkbox"/> <input type="checkbox"/> <input type="checkbox"/> <input type="checkbox"/> <input type="checkbox"/>
018 - 137-144	<input type="checkbox"/> <input type="checkbox"/> <input type="checkbox"/> <input type="checkbox"/> <input type="checkbox"/> <input type="checkbox"/> <input type="checkbox"/> <input type="checkbox"/>	018 - 137-144	<input type="checkbox"/> <input type="checkbox"/> <input type="checkbox"/> <input type="checkbox"/> <input type="checkbox"/> <input type="checkbox"/> <input type="checkbox"/> <input type="checkbox"/>
019 - 145-152	<input type="checkbox"/> <input type="checkbox"/> <input type="checkbox"/> <input type="checkbox"/> <input type="checkbox"/> <input type="checkbox"/> <input type="checkbox"/> <input type="checkbox"/>	019 - 145-152	<input type="checkbox"/> <input type="checkbox"/> <input type="checkbox"/> <input type="checkbox"/> <input type="checkbox"/> <input type="checkbox"/> <input type="checkbox"/> <input type="checkbox"/>
020 - 153-160	<input type="checkbox"/> <input type="checkbox"/> <input type="checkbox"/> <input type="checkbox"/> <input type="checkbox"/> <input type="checkbox"/> <input type="checkbox"/> <input type="checkbox"/>	020 - 153-160	<input type="checkbox"/> <input type="checkbox"/> <input type="checkbox"/> <input type="checkbox"/> <input type="checkbox"/> <input type="checkbox"/> <input type="checkbox"/> <input type="checkbox"/>
021 - 161-168	<input type="checkbox"/> <input type="checkbox"/> <input type="checkbox"/> <input type="checkbox"/> <input type="checkbox"/> <input type="checkbox"/> <input type="checkbox"/> <input type="checkbox"/>	021 - 161-168	<input type="checkbox"/> <input type="checkbox"/> <input type="checkbox"/> <input type="checkbox"/> <input type="checkbox"/> <input type="checkbox"/> <input type="checkbox"/> <input type="checkbox"/>
022 - 169-176	<input type="checkbox"/> <input type="checkbox"/> <input type="checkbox"/> <input type="checkbox"/> <input type="checkbox"/> <input type="checkbox"/> <input type="checkbox"/> <input type="checkbox"/>	022 - 169-176	<input type="checkbox"/> <input type="checkbox"/> <input type="checkbox"/> <input type="checkbox"/> <input type="checkbox"/> <input type="checkbox"/> <input type="checkbox"/> <input type="checkbox"/>
023 - 177-184	<input type="checkbox"/> <input type="checkbox"/> <input type="checkbox"/> <input type="checkbox"/> <input type="checkbox"/> <input type="checkbox"/> <input type="checkbox"/> <input type="checkbox"/>	023 - 177-184	<input type="checkbox"/> <input type="checkbox"/> <input type="checkbox"/> <input type="checkbox"/> <input type="checkbox"/> <input type="checkbox"/> <input type="checkbox"/> <input type="checkbox"/>
024 - 185-192	<input type="checkbox"/> <input type="checkbox"/> <input type="checkbox"/> <input type="checkbox"/> <input type="checkbox"/> <input type="checkbox"/> <input type="checkbox"/> <input type="checkbox"/>	024 - 185-192	<input type="checkbox"/> <input type="checkbox"/> <input type="checkbox"/> <input type="checkbox"/> <input type="checkbox"/> <input type="checkbox"/> <input type="checkbox"/> <input type="checkbox"/>
025 - 193-200	<input type="checkbox"/> <input type="checkbox"/> <input type="checkbox"/> <input type="checkbox"/> <input type="checkbox"/> <input type="checkbox"/> <input type="checkbox"/> <input type="checkbox"/>	025 - 193-200	<input type="checkbox"/> <input type="checkbox"/> <input type="checkbox"/> <input type="checkbox"/> <input type="checkbox"/> <input type="checkbox"/> <input type="checkbox"/> <input type="checkbox"/>
026 - 201-208	<input type="checkbox"/> <input type="checkbox"/> <input type="checkbox"/> <input type="checkbox"/> <input type="checkbox"/> <input type="checkbox"/> <input type="checkbox"/> <input type="checkbox"/>	026 - 201-208	<input type="checkbox"/> <input type="checkbox"/> <input type="checkbox"/> <input type="checkbox"/> <input type="checkbox"/> <input type="checkbox"/> <input type="checkbox"/> <input type="checkbox"/>
027 - 209-216	<input type="checkbox"/> <input type="checkbox"/> <input type="checkbox"/> <input type="checkbox"/> <input type="checkbox"/> <input type="checkbox"/> <input type="checkbox"/> <input type="checkbox"/>	027 - 209-216	<input type="checkbox"/> <input type="checkbox"/> <input type="checkbox"/> <input type="checkbox"/> <input type="checkbox"/> <input type="checkbox"/> <input type="checkbox"/> <input type="checkbox"/>
028 - 217-224	<input type="checkbox"/> <input type="checkbox"/> <input type="checkbox"/> <input type="checkbox"/> <input type="checkbox"/> <input type="checkbox"/> <input type="checkbox"/> <input type="checkbox"/>	028 - 217-224	<input type="checkbox"/> <input type="checkbox"/> <input type="checkbox"/> <input type="checkbox"/> <input type="checkbox"/> <input type="checkbox"/> <input type="checkbox"/> <input type="checkbox"/>
029 - 225-232	<input type="checkbox"/> <input type="checkbox"/> <input type="checkbox"/> <input type="checkbox"/> <input type="checkbox"/> <input type="checkbox"/> <input type="checkbox"/> <input type="checkbox"/>	029 - 225-232	<input type="checkbox"/> <input type="checkbox"/> <input type="checkbox"/> <input type="checkbox"/> <input type="checkbox"/> <input type="checkbox"/> <input type="checkbox"/> <input type="checkbox"/>
030 - 233-240	<input type="checkbox"/> <input type="checkbox"/> <input type="checkbox"/> <input type="checkbox"/> <input type="checkbox"/> <input type="checkbox"/> <input type="checkbox"/> <input type="checkbox"/>	030 - 233-240	<input type="checkbox"/> <input type="checkbox"/> <input type="checkbox"/> <input type="checkbox"/> <input type="checkbox"/> <input type="checkbox"/> <input type="checkbox"/> <input type="checkbox"/>
031 - 241-248	<input type="checkbox"/> <input type="checkbox"/> <input type="checkbox"/> <input type="checkbox"/> <input type="checkbox"/> <input type="checkbox"/> <input type="checkbox"/> <input type="checkbox"/>	031 - 241-248	<input type="checkbox"/> <input type="checkbox"/> <input type="checkbox"/> <input type="checkbox"/> <input type="checkbox"/> <input type="checkbox"/> <input type="checkbox"/> <input type="checkbox"/>
[211] Partition 11 Zone Assignment		[212] Partition 12 Zone Assignment	
	Bit		Bit
	1 2 3 4 5 6 7 8		1 2 3 4 5 6 7 8
001 - 01-08	<input type="checkbox"/> <input type="checkbox"/> <input type="checkbox"/> <input type="checkbox"/> <input type="checkbox"/> <input type="checkbox"/> <input type="checkbox"/> <input type="checkbox"/>	001 - 01-08	<input type="checkbox"/> <input type="checkbox"/> <input type="checkbox"/> <input type="checkbox"/> <input type="checkbox"/> <input type="checkbox"/> <input type="checkbox"/> <input type="checkbox"/>
002 - 09-16	<input type="checkbox"/> <input type="checkbox"/> <input type="checkbox"/> <input type="checkbox"/> <input type="checkbox"/> <input type="checkbox"/> <input type="checkbox"/> <input type="checkbox"/>	002 - 09-16	<input type="checkbox"/> <input type="checkbox"/> <input type="checkbox"/> <input type="checkbox"/> <input type="checkbox"/> <input type="checkbox"/> <input type="checkbox"/> <input type="checkbox"/>
003 - 17-24	<input type="checkbox"/> <input type="checkbox"/> <input type="checkbox"/> <input type="checkbox"/> <input type="checkbox"/> <input type="checkbox"/> <input type="checkbox"/> <input type="checkbox"/>	003 - 17-24	<input type="checkbox"/> <input type="checkbox"/> <input type="checkbox"/> <input type="checkbox"/> <input type="checkbox"/> <input type="checkbox"/> <input type="checkbox"/> <input type="checkbox"/>
004 - 25-32	<input type="checkbox"/> <input type="checkbox"/> <input type="checkbox"/> <input type="checkbox"/> <input type="checkbox"/> <input type="checkbox"/> <input type="checkbox"/> <input type="checkbox"/>	004 - 25-32	<input type="checkbox"/> <input type="checkbox"/> <input type="checkbox"/> <input type="checkbox"/> <input type="checkbox"/> <input type="checkbox"/> <input type="checkbox"/> <input type="checkbox"/>
005 - 33-40	<input type="checkbox"/> <input type="checkbox"/> <input type="checkbox"/> <input type="checkbox"/> <input type="checkbox"/> <input type="checkbox"/> <input type="checkbox"/> <input type="checkbox"/>	005 - 33-40	<input type="checkbox"/> <input type="checkbox"/> <input type="checkbox"/> <input type="checkbox"/> <input type="checkbox"/> <input type="checkbox"/> <input type="checkbox"/> <input type="checkbox"/>

[201]-[232] Partition Zone Assignment			
(Description on [201]-[232] Partition Zone Assignment)			
006 - 41-48	<input type="checkbox"/> <input type="checkbox"/> <input type="checkbox"/> <input type="checkbox"/> <input type="checkbox"/> <input type="checkbox"/> <input type="checkbox"/> <input type="checkbox"/>	006 - 41-48	<input type="checkbox"/> <input type="checkbox"/> <input type="checkbox"/> <input type="checkbox"/> <input type="checkbox"/> <input type="checkbox"/> <input type="checkbox"/> <input type="checkbox"/>
007 - 49-56	<input type="checkbox"/> <input type="checkbox"/> <input type="checkbox"/> <input type="checkbox"/> <input type="checkbox"/> <input type="checkbox"/> <input type="checkbox"/> <input type="checkbox"/>	007 - 49-56	<input type="checkbox"/> <input type="checkbox"/> <input type="checkbox"/> <input type="checkbox"/> <input type="checkbox"/> <input type="checkbox"/> <input type="checkbox"/> <input type="checkbox"/>
008 - 57-64	<input type="checkbox"/> <input type="checkbox"/> <input type="checkbox"/> <input type="checkbox"/> <input type="checkbox"/> <input type="checkbox"/> <input type="checkbox"/> <input type="checkbox"/>	008 - 57-64	<input type="checkbox"/> <input type="checkbox"/> <input type="checkbox"/> <input type="checkbox"/> <input type="checkbox"/> <input type="checkbox"/> <input type="checkbox"/> <input type="checkbox"/>
009 - 65-72	<input type="checkbox"/> <input type="checkbox"/> <input type="checkbox"/> <input type="checkbox"/> <input type="checkbox"/> <input type="checkbox"/> <input type="checkbox"/> <input type="checkbox"/>	009 - 65-72	<input type="checkbox"/> <input type="checkbox"/> <input type="checkbox"/> <input type="checkbox"/> <input type="checkbox"/> <input type="checkbox"/> <input type="checkbox"/> <input type="checkbox"/>
010 - 73-80	<input type="checkbox"/> <input type="checkbox"/> <input type="checkbox"/> <input type="checkbox"/> <input type="checkbox"/> <input type="checkbox"/> <input type="checkbox"/> <input type="checkbox"/>	010 - 73-80	<input type="checkbox"/> <input type="checkbox"/> <input type="checkbox"/> <input type="checkbox"/> <input type="checkbox"/> <input type="checkbox"/> <input type="checkbox"/> <input type="checkbox"/>
011 - 81-88	<input type="checkbox"/> <input type="checkbox"/> <input type="checkbox"/> <input type="checkbox"/> <input type="checkbox"/> <input type="checkbox"/> <input type="checkbox"/> <input type="checkbox"/>	011 - 81-88	<input type="checkbox"/> <input type="checkbox"/> <input type="checkbox"/> <input type="checkbox"/> <input type="checkbox"/> <input type="checkbox"/> <input type="checkbox"/> <input type="checkbox"/>
012 - 89-96	<input type="checkbox"/> <input type="checkbox"/> <input type="checkbox"/> <input type="checkbox"/> <input type="checkbox"/> <input type="checkbox"/> <input type="checkbox"/> <input type="checkbox"/>	012 - 89-96	<input type="checkbox"/> <input type="checkbox"/> <input type="checkbox"/> <input type="checkbox"/> <input type="checkbox"/> <input type="checkbox"/> <input type="checkbox"/> <input type="checkbox"/>
013 - 97-104	<input type="checkbox"/> <input type="checkbox"/> <input type="checkbox"/> <input type="checkbox"/> <input type="checkbox"/> <input type="checkbox"/> <input type="checkbox"/> <input type="checkbox"/>	013 - 97-104	<input type="checkbox"/> <input type="checkbox"/> <input type="checkbox"/> <input type="checkbox"/> <input type="checkbox"/> <input type="checkbox"/> <input type="checkbox"/> <input type="checkbox"/>
014 - 105-112	<input type="checkbox"/> <input type="checkbox"/> <input type="checkbox"/> <input type="checkbox"/> <input type="checkbox"/> <input type="checkbox"/> <input type="checkbox"/> <input type="checkbox"/>	014 - 105-112	<input type="checkbox"/> <input type="checkbox"/> <input type="checkbox"/> <input type="checkbox"/> <input type="checkbox"/> <input type="checkbox"/> <input type="checkbox"/> <input type="checkbox"/>
015 - 113-120	<input type="checkbox"/> <input type="checkbox"/> <input type="checkbox"/> <input type="checkbox"/> <input type="checkbox"/> <input type="checkbox"/> <input type="checkbox"/> <input type="checkbox"/>	015 - 113-120	<input type="checkbox"/> <input type="checkbox"/> <input type="checkbox"/> <input type="checkbox"/> <input type="checkbox"/> <input type="checkbox"/> <input type="checkbox"/> <input type="checkbox"/>
016 - 121-128	<input type="checkbox"/> <input type="checkbox"/> <input type="checkbox"/> <input type="checkbox"/> <input type="checkbox"/> <input type="checkbox"/> <input type="checkbox"/> <input type="checkbox"/>	016 - 121-128	<input type="checkbox"/> <input type="checkbox"/> <input type="checkbox"/> <input type="checkbox"/> <input type="checkbox"/> <input type="checkbox"/> <input type="checkbox"/> <input type="checkbox"/>
017 - 129-136	<input type="checkbox"/> <input type="checkbox"/> <input type="checkbox"/> <input type="checkbox"/> <input type="checkbox"/> <input type="checkbox"/> <input type="checkbox"/> <input type="checkbox"/>	017 - 129-136	<input type="checkbox"/> <input type="checkbox"/> <input type="checkbox"/> <input type="checkbox"/> <input type="checkbox"/> <input type="checkbox"/> <input type="checkbox"/> <input type="checkbox"/>
018 - 137-144	<input type="checkbox"/> <input type="checkbox"/> <input type="checkbox"/> <input type="checkbox"/> <input type="checkbox"/> <input type="checkbox"/> <input type="checkbox"/> <input type="checkbox"/>	018 - 137-144	<input type="checkbox"/> <input type="checkbox"/> <input type="checkbox"/> <input type="checkbox"/> <input type="checkbox"/> <input type="checkbox"/> <input type="checkbox"/> <input type="checkbox"/>
019 - 145-152	<input type="checkbox"/> <input type="checkbox"/> <input type="checkbox"/> <input type="checkbox"/> <input type="checkbox"/> <input type="checkbox"/> <input type="checkbox"/> <input type="checkbox"/>	019 - 145-152	<input type="checkbox"/> <input type="checkbox"/> <input type="checkbox"/> <input type="checkbox"/> <input type="checkbox"/> <input type="checkbox"/> <input type="checkbox"/> <input type="checkbox"/>
020 - 153-160	<input type="checkbox"/> <input type="checkbox"/> <input type="checkbox"/> <input type="checkbox"/> <input type="checkbox"/> <input type="checkbox"/> <input type="checkbox"/> <input type="checkbox"/>	020 - 153-160	<input type="checkbox"/> <input type="checkbox"/> <input type="checkbox"/> <input type="checkbox"/> <input type="checkbox"/> <input type="checkbox"/> <input type="checkbox"/> <input type="checkbox"/>
021 - 161-168	<input type="checkbox"/> <input type="checkbox"/> <input type="checkbox"/> <input type="checkbox"/> <input type="checkbox"/> <input type="checkbox"/> <input type="checkbox"/> <input type="checkbox"/>	021 - 161-168	<input type="checkbox"/> <input type="checkbox"/> <input type="checkbox"/> <input type="checkbox"/> <input type="checkbox"/> <input type="checkbox"/> <input type="checkbox"/> <input type="checkbox"/>
022 - 169-176	<input type="checkbox"/> <input type="checkbox"/> <input type="checkbox"/> <input type="checkbox"/> <input type="checkbox"/> <input type="checkbox"/> <input type="checkbox"/> <input type="checkbox"/>	022 - 169-176	<input type="checkbox"/> <input type="checkbox"/> <input type="checkbox"/> <input type="checkbox"/> <input type="checkbox"/> <input type="checkbox"/> <input type="checkbox"/> <input type="checkbox"/>
023 - 177-184	<input type="checkbox"/> <input type="checkbox"/> <input type="checkbox"/> <input type="checkbox"/> <input type="checkbox"/> <input type="checkbox"/> <input type="checkbox"/> <input type="checkbox"/>	023 - 177-184	<input type="checkbox"/> <input type="checkbox"/> <input type="checkbox"/> <input type="checkbox"/> <input type="checkbox"/> <input type="checkbox"/> <input type="checkbox"/> <input type="checkbox"/>
024 - 185-192	<input type="checkbox"/> <input type="checkbox"/> <input type="checkbox"/> <input type="checkbox"/> <input type="checkbox"/> <input type="checkbox"/> <input type="checkbox"/> <input type="checkbox"/>	024 - 185-192	<input type="checkbox"/> <input type="checkbox"/> <input type="checkbox"/> <input type="checkbox"/> <input type="checkbox"/> <input type="checkbox"/> <input type="checkbox"/> <input type="checkbox"/>
025 - 193-200	<input type="checkbox"/> <input type="checkbox"/> <input type="checkbox"/> <input type="checkbox"/> <input type="checkbox"/> <input type="checkbox"/> <input type="checkbox"/> <input type="checkbox"/>	025 - 193-200	<input type="checkbox"/> <input type="checkbox"/> <input type="checkbox"/> <input type="checkbox"/> <input type="checkbox"/> <input type="checkbox"/> <input type="checkbox"/> <input type="checkbox"/>
026 - 201-208	<input type="checkbox"/> <input type="checkbox"/> <input type="checkbox"/> <input type="checkbox"/> <input type="checkbox"/> <input type="checkbox"/> <input type="checkbox"/> <input type="checkbox"/>	026 - 201-208	<input type="checkbox"/> <input type="checkbox"/> <input type="checkbox"/> <input type="checkbox"/> <input type="checkbox"/> <input type="checkbox"/> <input type="checkbox"/> <input type="checkbox"/>
027 - 209-216	<input type="checkbox"/> <input type="checkbox"/> <input type="checkbox"/> <input type="checkbox"/> <input type="checkbox"/> <input type="checkbox"/> <input type="checkbox"/> <input type="checkbox"/>	027 - 209-216	<input type="checkbox"/> <input type="checkbox"/> <input type="checkbox"/> <input type="checkbox"/> <input type="checkbox"/> <input type="checkbox"/> <input type="checkbox"/> <input type="checkbox"/>
028 - 217-224	<input type="checkbox"/> <input type="checkbox"/> <input type="checkbox"/> <input type="checkbox"/> <input type="checkbox"/> <input type="checkbox"/> <input type="checkbox"/> <input type="checkbox"/>	028 - 217-224	<input type="checkbox"/> <input type="checkbox"/> <input type="checkbox"/> <input type="checkbox"/> <input type="checkbox"/> <input type="checkbox"/> <input type="checkbox"/> <input type="checkbox"/>
029 - 225-232	<input type="checkbox"/> <input type="checkbox"/> <input type="checkbox"/> <input type="checkbox"/> <input type="checkbox"/> <input type="checkbox"/> <input type="checkbox"/> <input type="checkbox"/>	029 - 225-232	<input type="checkbox"/> <input type="checkbox"/> <input type="checkbox"/> <input type="checkbox"/> <input type="checkbox"/> <input type="checkbox"/> <input type="checkbox"/> <input type="checkbox"/>
030 - 233-240	<input type="checkbox"/> <input type="checkbox"/> <input type="checkbox"/> <input type="checkbox"/> <input type="checkbox"/> <input type="checkbox"/> <input type="checkbox"/> <input type="checkbox"/>	030 - 233-240	<input type="checkbox"/> <input type="checkbox"/> <input type="checkbox"/> <input type="checkbox"/> <input type="checkbox"/> <input type="checkbox"/> <input type="checkbox"/> <input type="checkbox"/>
031 - 241-248	<input type="checkbox"/> <input type="checkbox"/> <input type="checkbox"/> <input type="checkbox"/> <input type="checkbox"/> <input type="checkbox"/> <input type="checkbox"/> <input type="checkbox"/>	031 - 241-248	<input type="checkbox"/> <input type="checkbox"/> <input type="checkbox"/> <input type="checkbox"/> <input type="checkbox"/> <input type="checkbox"/> <input type="checkbox"/> <input type="checkbox"/>
[213] Partition 13 Zone Assignment		[214] Partition 14 Zone Assignment	
	Bit		Bit
	1 2 3 4 5 6 7 8		1 2 3 4 5 6 7 8
001 - 01-08	<input type="checkbox"/> <input type="checkbox"/> <input type="checkbox"/> <input type="checkbox"/> <input type="checkbox"/> <input type="checkbox"/> <input type="checkbox"/> <input type="checkbox"/>	001 - 01-08	<input type="checkbox"/> <input type="checkbox"/> <input type="checkbox"/> <input type="checkbox"/> <input type="checkbox"/> <input type="checkbox"/> <input type="checkbox"/> <input type="checkbox"/>
002 - 09-16	<input type="checkbox"/> <input type="checkbox"/> <input type="checkbox"/> <input type="checkbox"/> <input type="checkbox"/> <input type="checkbox"/> <input type="checkbox"/> <input type="checkbox"/>	002 - 09-16	<input type="checkbox"/> <input type="checkbox"/> <input type="checkbox"/> <input type="checkbox"/> <input type="checkbox"/> <input type="checkbox"/> <input type="checkbox"/> <input type="checkbox"/>
003 - 17-24	<input type="checkbox"/> <input type="checkbox"/> <input type="checkbox"/> <input type="checkbox"/> <input type="checkbox"/> <input type="checkbox"/> <input type="checkbox"/> <input type="checkbox"/>	003 - 17-24	<input type="checkbox"/> <input type="checkbox"/> <input type="checkbox"/> <input type="checkbox"/> <input type="checkbox"/> <input type="checkbox"/> <input type="checkbox"/> <input type="checkbox"/>
004 - 25-32	<input type="checkbox"/> <input type="checkbox"/> <input type="checkbox"/> <input type="checkbox"/> <input type="checkbox"/> <input type="checkbox"/> <input type="checkbox"/> <input type="checkbox"/>	004 - 25-32	<input type="checkbox"/> <input type="checkbox"/> <input type="checkbox"/> <input type="checkbox"/> <input type="checkbox"/> <input type="checkbox"/> <input type="checkbox"/> <input type="checkbox"/>
005 - 33-40	<input type="checkbox"/> <input type="checkbox"/> <input type="checkbox"/> <input type="checkbox"/> <input type="checkbox"/> <input type="checkbox"/> <input type="checkbox"/> <input type="checkbox"/>	005 - 33-40	<input type="checkbox"/> <input type="checkbox"/> <input type="checkbox"/> <input type="checkbox"/> <input type="checkbox"/> <input type="checkbox"/> <input type="checkbox"/> <input type="checkbox"/>
006 - 41-48	<input type="checkbox"/> <input type="checkbox"/> <input type="checkbox"/> <input type="checkbox"/> <input type="checkbox"/> <input type="checkbox"/> <input type="checkbox"/> <input type="checkbox"/>	006 - 41-48	<input type="checkbox"/> <input type="checkbox"/> <input type="checkbox"/> <input type="checkbox"/> <input type="checkbox"/> <input type="checkbox"/> <input type="checkbox"/> <input type="checkbox"/>
007 - 49-56	<input type="checkbox"/> <input type="checkbox"/> <input type="checkbox"/> <input type="checkbox"/> <input type="checkbox"/> <input type="checkbox"/> <input type="checkbox"/> <input type="checkbox"/>	007 - 49-56	<input type="checkbox"/> <input type="checkbox"/> <input type="checkbox"/> <input type="checkbox"/> <input type="checkbox"/> <input type="checkbox"/> <input type="checkbox"/> <input type="checkbox"/>
008 - 57-64	<input type="checkbox"/> <input type="checkbox"/> <input type="checkbox"/> <input type="checkbox"/> <input type="checkbox"/> <input type="checkbox"/> <input type="checkbox"/> <input type="checkbox"/>	008 - 57-64	<input type="checkbox"/> <input type="checkbox"/> <input type="checkbox"/> <input type="checkbox"/> <input type="checkbox"/> <input type="checkbox"/> <input type="checkbox"/> <input type="checkbox"/>
009 - 65-72	<input type="checkbox"/> <input type="checkbox"/> <input type="checkbox"/> <input type="checkbox"/> <input type="checkbox"/> <input type="checkbox"/> <input type="checkbox"/> <input type="checkbox"/>	009 - 65-72	<input type="checkbox"/> <input type="checkbox"/> <input type="checkbox"/> <input type="checkbox"/> <input type="checkbox"/> <input type="checkbox"/> <input type="checkbox"/> <input type="checkbox"/>
010 - 73-80	<input type="checkbox"/> <input type="checkbox"/> <input type="checkbox"/> <input type="checkbox"/> <input type="checkbox"/> <input type="checkbox"/> <input type="checkbox"/> <input type="checkbox"/>	010 - 73-80	<input type="checkbox"/> <input type="checkbox"/> <input type="checkbox"/> <input type="checkbox"/> <input type="checkbox"/> <input type="checkbox"/> <input type="checkbox"/> <input type="checkbox"/>

[201]-[232] Partition Zone Assignment			
(Description on [201]-[232] Partition Zone Assignment)			
011 - 81-88	<input type="checkbox"/> <input type="checkbox"/> <input type="checkbox"/> <input type="checkbox"/> <input type="checkbox"/> <input type="checkbox"/> <input type="checkbox"/> <input type="checkbox"/>	011 - 81-88	<input type="checkbox"/> <input type="checkbox"/> <input type="checkbox"/> <input type="checkbox"/> <input type="checkbox"/> <input type="checkbox"/> <input type="checkbox"/> <input type="checkbox"/>
012 - 89-96	<input type="checkbox"/> <input type="checkbox"/> <input type="checkbox"/> <input type="checkbox"/> <input type="checkbox"/> <input type="checkbox"/> <input type="checkbox"/> <input type="checkbox"/>	012 - 89-96	<input type="checkbox"/> <input type="checkbox"/> <input type="checkbox"/> <input type="checkbox"/> <input type="checkbox"/> <input type="checkbox"/> <input type="checkbox"/> <input type="checkbox"/>
013 - 97-104	<input type="checkbox"/> <input type="checkbox"/> <input type="checkbox"/> <input type="checkbox"/> <input type="checkbox"/> <input type="checkbox"/> <input type="checkbox"/> <input type="checkbox"/>	013 - 97-104	<input type="checkbox"/> <input type="checkbox"/> <input type="checkbox"/> <input type="checkbox"/> <input type="checkbox"/> <input type="checkbox"/> <input type="checkbox"/> <input type="checkbox"/>
014 - 105-112	<input type="checkbox"/> <input type="checkbox"/> <input type="checkbox"/> <input type="checkbox"/> <input type="checkbox"/> <input type="checkbox"/> <input type="checkbox"/> <input type="checkbox"/>	014 - 105-112	<input type="checkbox"/> <input type="checkbox"/> <input type="checkbox"/> <input type="checkbox"/> <input type="checkbox"/> <input type="checkbox"/> <input type="checkbox"/> <input type="checkbox"/>
015 - 113-120	<input type="checkbox"/> <input type="checkbox"/> <input type="checkbox"/> <input type="checkbox"/> <input type="checkbox"/> <input type="checkbox"/> <input type="checkbox"/> <input type="checkbox"/>	015 - 113-120	<input type="checkbox"/> <input type="checkbox"/> <input type="checkbox"/> <input type="checkbox"/> <input type="checkbox"/> <input type="checkbox"/> <input type="checkbox"/> <input type="checkbox"/>
016 - 121-128	<input type="checkbox"/> <input type="checkbox"/> <input type="checkbox"/> <input type="checkbox"/> <input type="checkbox"/> <input type="checkbox"/> <input type="checkbox"/> <input type="checkbox"/>	016 - 121-128	<input type="checkbox"/> <input type="checkbox"/> <input type="checkbox"/> <input type="checkbox"/> <input type="checkbox"/> <input type="checkbox"/> <input type="checkbox"/> <input type="checkbox"/>
017 - 129-136	<input type="checkbox"/> <input type="checkbox"/> <input type="checkbox"/> <input type="checkbox"/> <input type="checkbox"/> <input type="checkbox"/> <input type="checkbox"/> <input type="checkbox"/>	017 - 129-136	<input type="checkbox"/> <input type="checkbox"/> <input type="checkbox"/> <input type="checkbox"/> <input type="checkbox"/> <input type="checkbox"/> <input type="checkbox"/> <input type="checkbox"/>
018 - 137-144	<input type="checkbox"/> <input type="checkbox"/> <input type="checkbox"/> <input type="checkbox"/> <input type="checkbox"/> <input type="checkbox"/> <input type="checkbox"/> <input type="checkbox"/>	018 - 137-144	<input type="checkbox"/> <input type="checkbox"/> <input type="checkbox"/> <input type="checkbox"/> <input type="checkbox"/> <input type="checkbox"/> <input type="checkbox"/> <input type="checkbox"/>
019 - 145-152	<input type="checkbox"/> <input type="checkbox"/> <input type="checkbox"/> <input type="checkbox"/> <input type="checkbox"/> <input type="checkbox"/> <input type="checkbox"/> <input type="checkbox"/>	019 - 145-152	<input type="checkbox"/> <input type="checkbox"/> <input type="checkbox"/> <input type="checkbox"/> <input type="checkbox"/> <input type="checkbox"/> <input type="checkbox"/> <input type="checkbox"/>
020 - 153-160	<input type="checkbox"/> <input type="checkbox"/> <input type="checkbox"/> <input type="checkbox"/> <input type="checkbox"/> <input type="checkbox"/> <input type="checkbox"/> <input type="checkbox"/>	020 - 153-160	<input type="checkbox"/> <input type="checkbox"/> <input type="checkbox"/> <input type="checkbox"/> <input type="checkbox"/> <input type="checkbox"/> <input type="checkbox"/> <input type="checkbox"/>
021 - 161-168	<input type="checkbox"/> <input type="checkbox"/> <input type="checkbox"/> <input type="checkbox"/> <input type="checkbox"/> <input type="checkbox"/> <input type="checkbox"/> <input type="checkbox"/>	021 - 161-168	<input type="checkbox"/> <input type="checkbox"/> <input type="checkbox"/> <input type="checkbox"/> <input type="checkbox"/> <input type="checkbox"/> <input type="checkbox"/> <input type="checkbox"/>
022 - 169-176	<input type="checkbox"/> <input type="checkbox"/> <input type="checkbox"/> <input type="checkbox"/> <input type="checkbox"/> <input type="checkbox"/> <input type="checkbox"/> <input type="checkbox"/>	022 - 169-176	<input type="checkbox"/> <input type="checkbox"/> <input type="checkbox"/> <input type="checkbox"/> <input type="checkbox"/> <input type="checkbox"/> <input type="checkbox"/> <input type="checkbox"/>
023 - 177-184	<input type="checkbox"/> <input type="checkbox"/> <input type="checkbox"/> <input type="checkbox"/> <input type="checkbox"/> <input type="checkbox"/> <input type="checkbox"/> <input type="checkbox"/>	023 - 177-184	<input type="checkbox"/> <input type="checkbox"/> <input type="checkbox"/> <input type="checkbox"/> <input type="checkbox"/> <input type="checkbox"/> <input type="checkbox"/> <input type="checkbox"/>
024 - 185-192	<input type="checkbox"/> <input type="checkbox"/> <input type="checkbox"/> <input type="checkbox"/> <input type="checkbox"/> <input type="checkbox"/> <input type="checkbox"/> <input type="checkbox"/>	024 - 185-192	<input type="checkbox"/> <input type="checkbox"/> <input type="checkbox"/> <input type="checkbox"/> <input type="checkbox"/> <input type="checkbox"/> <input type="checkbox"/> <input type="checkbox"/>
025 - 193-200	<input type="checkbox"/> <input type="checkbox"/> <input type="checkbox"/> <input type="checkbox"/> <input type="checkbox"/> <input type="checkbox"/> <input type="checkbox"/> <input type="checkbox"/>	025 - 193-200	<input type="checkbox"/> <input type="checkbox"/> <input type="checkbox"/> <input type="checkbox"/> <input type="checkbox"/> <input type="checkbox"/> <input type="checkbox"/> <input type="checkbox"/>
026 - 201-208	<input type="checkbox"/> <input type="checkbox"/> <input type="checkbox"/> <input type="checkbox"/> <input type="checkbox"/> <input type="checkbox"/> <input type="checkbox"/> <input type="checkbox"/>	026 - 201-208	<input type="checkbox"/> <input type="checkbox"/> <input type="checkbox"/> <input type="checkbox"/> <input type="checkbox"/> <input type="checkbox"/> <input type="checkbox"/> <input type="checkbox"/>
027 - 209-216	<input type="checkbox"/> <input type="checkbox"/> <input type="checkbox"/> <input type="checkbox"/> <input type="checkbox"/> <input type="checkbox"/> <input type="checkbox"/> <input type="checkbox"/>	027 - 209-216	<input type="checkbox"/> <input type="checkbox"/> <input type="checkbox"/> <input type="checkbox"/> <input type="checkbox"/> <input type="checkbox"/> <input type="checkbox"/> <input type="checkbox"/>
028 - 217-224	<input type="checkbox"/> <input type="checkbox"/> <input type="checkbox"/> <input type="checkbox"/> <input type="checkbox"/> <input type="checkbox"/> <input type="checkbox"/> <input type="checkbox"/>	028 - 217-224	<input type="checkbox"/> <input type="checkbox"/> <input type="checkbox"/> <input type="checkbox"/> <input type="checkbox"/> <input type="checkbox"/> <input type="checkbox"/> <input type="checkbox"/>
029 - 225-232	<input type="checkbox"/> <input type="checkbox"/> <input type="checkbox"/> <input type="checkbox"/> <input type="checkbox"/> <input type="checkbox"/> <input type="checkbox"/> <input type="checkbox"/>	029 - 225-232	<input type="checkbox"/> <input type="checkbox"/> <input type="checkbox"/> <input type="checkbox"/> <input type="checkbox"/> <input type="checkbox"/> <input type="checkbox"/> <input type="checkbox"/>
030 - 233-240	<input type="checkbox"/> <input type="checkbox"/> <input type="checkbox"/> <input type="checkbox"/> <input type="checkbox"/> <input type="checkbox"/> <input type="checkbox"/> <input type="checkbox"/>	030 - 233-240	<input type="checkbox"/> <input type="checkbox"/> <input type="checkbox"/> <input type="checkbox"/> <input type="checkbox"/> <input type="checkbox"/> <input type="checkbox"/> <input type="checkbox"/>
031 - 241-248	<input type="checkbox"/> <input type="checkbox"/> <input type="checkbox"/> <input type="checkbox"/> <input type="checkbox"/> <input type="checkbox"/> <input type="checkbox"/> <input type="checkbox"/>	031 - 241-248	<input type="checkbox"/> <input type="checkbox"/> <input type="checkbox"/> <input type="checkbox"/> <input type="checkbox"/> <input type="checkbox"/> <input type="checkbox"/> <input type="checkbox"/>
[215] Partition 15 Zone Assignment		[216] Partition 16 Zone Assignment	
	Bit 1 2 3 4 5 6 7 8		Bit 1 2 3 4 5 6 7 8
001 - 01-08	<input type="checkbox"/> <input type="checkbox"/> <input type="checkbox"/> <input type="checkbox"/> <input type="checkbox"/> <input type="checkbox"/> <input type="checkbox"/> <input type="checkbox"/>	001 - 01-08	<input type="checkbox"/> <input type="checkbox"/> <input type="checkbox"/> <input type="checkbox"/> <input type="checkbox"/> <input type="checkbox"/> <input type="checkbox"/> <input type="checkbox"/>
002 - 09-16	<input type="checkbox"/> <input type="checkbox"/> <input type="checkbox"/> <input type="checkbox"/> <input type="checkbox"/> <input type="checkbox"/> <input type="checkbox"/> <input type="checkbox"/>	002 - 09-16	<input type="checkbox"/> <input type="checkbox"/> <input type="checkbox"/> <input type="checkbox"/> <input type="checkbox"/> <input type="checkbox"/> <input type="checkbox"/> <input type="checkbox"/>
003 - 17-24	<input type="checkbox"/> <input type="checkbox"/> <input type="checkbox"/> <input type="checkbox"/> <input type="checkbox"/> <input type="checkbox"/> <input type="checkbox"/> <input type="checkbox"/>	003 - 17-24	<input type="checkbox"/> <input type="checkbox"/> <input type="checkbox"/> <input type="checkbox"/> <input type="checkbox"/> <input type="checkbox"/> <input type="checkbox"/> <input type="checkbox"/>
004 - 25-32	<input type="checkbox"/> <input type="checkbox"/> <input type="checkbox"/> <input type="checkbox"/> <input type="checkbox"/> <input type="checkbox"/> <input type="checkbox"/> <input type="checkbox"/>	004 - 25-32	<input type="checkbox"/> <input type="checkbox"/> <input type="checkbox"/> <input type="checkbox"/> <input type="checkbox"/> <input type="checkbox"/> <input type="checkbox"/> <input type="checkbox"/>
005 - 33-40	<input type="checkbox"/> <input type="checkbox"/> <input type="checkbox"/> <input type="checkbox"/> <input type="checkbox"/> <input type="checkbox"/> <input type="checkbox"/> <input type="checkbox"/>	005 - 33-40	<input type="checkbox"/> <input type="checkbox"/> <input type="checkbox"/> <input type="checkbox"/> <input type="checkbox"/> <input type="checkbox"/> <input type="checkbox"/> <input type="checkbox"/>
006 - 41-48	<input type="checkbox"/> <input type="checkbox"/> <input type="checkbox"/> <input type="checkbox"/> <input type="checkbox"/> <input type="checkbox"/> <input type="checkbox"/> <input type="checkbox"/>	006 - 41-48	<input type="checkbox"/> <input type="checkbox"/> <input type="checkbox"/> <input type="checkbox"/> <input type="checkbox"/> <input type="checkbox"/> <input type="checkbox"/> <input type="checkbox"/>
007 - 49-56	<input type="checkbox"/> <input type="checkbox"/> <input type="checkbox"/> <input type="checkbox"/> <input type="checkbox"/> <input type="checkbox"/> <input type="checkbox"/> <input type="checkbox"/>	007 - 49-56	<input type="checkbox"/> <input type="checkbox"/> <input type="checkbox"/> <input type="checkbox"/> <input type="checkbox"/> <input type="checkbox"/> <input type="checkbox"/> <input type="checkbox"/>
008 - 57-64	<input type="checkbox"/> <input type="checkbox"/> <input type="checkbox"/> <input type="checkbox"/> <input type="checkbox"/> <input type="checkbox"/> <input type="checkbox"/> <input type="checkbox"/>	008 - 57-64	<input type="checkbox"/> <input type="checkbox"/> <input type="checkbox"/> <input type="checkbox"/> <input type="checkbox"/> <input type="checkbox"/> <input type="checkbox"/> <input type="checkbox"/>
009 - 65-72	<input type="checkbox"/> <input type="checkbox"/> <input type="checkbox"/> <input type="checkbox"/> <input type="checkbox"/> <input type="checkbox"/> <input type="checkbox"/> <input type="checkbox"/>	009 - 65-72	<input type="checkbox"/> <input type="checkbox"/> <input type="checkbox"/> <input type="checkbox"/> <input type="checkbox"/> <input type="checkbox"/> <input type="checkbox"/> <input type="checkbox"/>
010 - 73-80	<input type="checkbox"/> <input type="checkbox"/> <input type="checkbox"/> <input type="checkbox"/> <input type="checkbox"/> <input type="checkbox"/> <input type="checkbox"/> <input type="checkbox"/>	010 - 73-80	<input type="checkbox"/> <input type="checkbox"/> <input type="checkbox"/> <input type="checkbox"/> <input type="checkbox"/> <input type="checkbox"/> <input type="checkbox"/> <input type="checkbox"/>
011 - 81-88	<input type="checkbox"/> <input type="checkbox"/> <input type="checkbox"/> <input type="checkbox"/> <input type="checkbox"/> <input type="checkbox"/> <input type="checkbox"/> <input type="checkbox"/>	011 - 81-88	<input type="checkbox"/> <input type="checkbox"/> <input type="checkbox"/> <input type="checkbox"/> <input type="checkbox"/> <input type="checkbox"/> <input type="checkbox"/> <input type="checkbox"/>
012 - 89-96	<input type="checkbox"/> <input type="checkbox"/> <input type="checkbox"/> <input type="checkbox"/> <input type="checkbox"/> <input type="checkbox"/> <input type="checkbox"/> <input type="checkbox"/>	012 - 89-96	<input type="checkbox"/> <input type="checkbox"/> <input type="checkbox"/> <input type="checkbox"/> <input type="checkbox"/> <input type="checkbox"/> <input type="checkbox"/> <input type="checkbox"/>
013 - 97-104	<input type="checkbox"/> <input type="checkbox"/> <input type="checkbox"/> <input type="checkbox"/> <input type="checkbox"/> <input type="checkbox"/> <input type="checkbox"/> <input type="checkbox"/>	013 - 97-104	<input type="checkbox"/> <input type="checkbox"/> <input type="checkbox"/> <input type="checkbox"/> <input type="checkbox"/> <input type="checkbox"/> <input type="checkbox"/> <input type="checkbox"/>
014 - 105-112	<input type="checkbox"/> <input type="checkbox"/> <input type="checkbox"/> <input type="checkbox"/> <input type="checkbox"/> <input type="checkbox"/> <input type="checkbox"/> <input type="checkbox"/>	014 - 105-112	<input type="checkbox"/> <input type="checkbox"/> <input type="checkbox"/> <input type="checkbox"/> <input type="checkbox"/> <input type="checkbox"/> <input type="checkbox"/> <input type="checkbox"/>
015 - 113-120	<input type="checkbox"/> <input type="checkbox"/> <input type="checkbox"/> <input type="checkbox"/> <input type="checkbox"/> <input type="checkbox"/> <input type="checkbox"/> <input type="checkbox"/>	015 - 113-120	<input type="checkbox"/> <input type="checkbox"/> <input type="checkbox"/> <input type="checkbox"/> <input type="checkbox"/> <input type="checkbox"/> <input type="checkbox"/> <input type="checkbox"/>

[201]-[232] Partition Zone Assignment			
(Description on [201]-[232] Partition Zone Assignment)			
016 - 121-128	□□□□□□□□	016 - 121-128	□□□□□□□□
017 - 129-136	□□□□□□□□	017 - 129-136	□□□□□□□□
018 - 137-144	□□□□□□□□	018 - 137-144	□□□□□□□□
019 - 145-152	□□□□□□□□	019 - 145-152	□□□□□□□□
020 - 153-160	□□□□□□□□	020 - 153-160	□□□□□□□□
021 - 161-168	□□□□□□□□	021 - 161-168	□□□□□□□□
022 - 169-176	□□□□□□□□	022 - 169-176	□□□□□□□□
023 - 177-184	□□□□□□□□	023 - 177-184	□□□□□□□□
024 - 185-192	□□□□□□□□	024 - 185-192	□□□□□□□□
025 - 193-200	□□□□□□□□	025 - 193-200	□□□□□□□□
026 - 201-208	□□□□□□□□	026 - 201-208	□□□□□□□□
027 - 209-216	□□□□□□□□	027 - 209-216	□□□□□□□□
028 - 217-224	□□□□□□□□	028 - 217-224	□□□□□□□□
029 - 225-232	□□□□□□□□	029 - 225-232	□□□□□□□□
030 - 233-240	□□□□□□□□	030 - 233-240	□□□□□□□□
031 - 241-248	□□□□□□□□	031 - 241-248	□□□□□□□□
[217] Partition 17 Zone Assignment		[218] Partition 18 Zone Assignment	
	Bit		Bit
	1 2 3 4 5 6 7 8		1 2 3 4 5 6 7 8
001 - 01-08	□□□□□□□□	001 - 01-08	□□□□□□□□
002 - 09-16	□□□□□□□□	002 - 09-16	□□□□□□□□
003 - 17-24	□□□□□□□□	003 - 17-24	□□□□□□□□
004 - 25-32	□□□□□□□□	004 - 25-32	□□□□□□□□
005 - 33-40	□□□□□□□□	005 - 33-40	□□□□□□□□
006 - 41-48	□□□□□□□□	006 - 41-48	□□□□□□□□
007 - 49-56	□□□□□□□□	007 - 49-56	□□□□□□□□
008 - 57-64	□□□□□□□□	008 - 57-64	□□□□□□□□
009 - 65-72	□□□□□□□□	009 - 65-72	□□□□□□□□
010 - 73-80	□□□□□□□□	010 - 73-80	□□□□□□□□
011 - 81-88	□□□□□□□□	011 - 81-88	□□□□□□□□
012 - 89-96	□□□□□□□□	012 - 89-96	□□□□□□□□
013 - 97-104	□□□□□□□□	013 - 97-104	□□□□□□□□
014 - 105-112	□□□□□□□□	014 - 105-112	□□□□□□□□
015 - 113-120	□□□□□□□□	015 - 113-120	□□□□□□□□
016 - 121-128	□□□□□□□□	016 - 121-128	□□□□□□□□
017 - 129-136	□□□□□□□□	017 - 129-136	□□□□□□□□
018 - 137-144	□□□□□□□□	018 - 137-144	□□□□□□□□
019 - 145-152	□□□□□□□□	019 - 145-152	□□□□□□□□
020 - 153-160	□□□□□□□□	020 - 153-160	□□□□□□□□

[201]-[232] Partition Zone Assignment			
(Description on [201]-[232] Partition Zone Assignment)			
021 - 161-168	<input type="checkbox"/> <input type="checkbox"/> <input type="checkbox"/> <input type="checkbox"/> <input type="checkbox"/> <input type="checkbox"/> <input type="checkbox"/> <input type="checkbox"/>	021 - 161-168	<input type="checkbox"/> <input type="checkbox"/> <input type="checkbox"/> <input type="checkbox"/> <input type="checkbox"/> <input type="checkbox"/> <input type="checkbox"/> <input type="checkbox"/>
022 - 169-176	<input type="checkbox"/> <input type="checkbox"/> <input type="checkbox"/> <input type="checkbox"/> <input type="checkbox"/> <input type="checkbox"/> <input type="checkbox"/> <input type="checkbox"/>	022 - 169-176	<input type="checkbox"/> <input type="checkbox"/> <input type="checkbox"/> <input type="checkbox"/> <input type="checkbox"/> <input type="checkbox"/> <input type="checkbox"/> <input type="checkbox"/>
023 - 177-184	<input type="checkbox"/> <input type="checkbox"/> <input type="checkbox"/> <input type="checkbox"/> <input type="checkbox"/> <input type="checkbox"/> <input type="checkbox"/> <input type="checkbox"/>	023 - 177-184	<input type="checkbox"/> <input type="checkbox"/> <input type="checkbox"/> <input type="checkbox"/> <input type="checkbox"/> <input type="checkbox"/> <input type="checkbox"/> <input type="checkbox"/>
024 - 185-192	<input type="checkbox"/> <input type="checkbox"/> <input type="checkbox"/> <input type="checkbox"/> <input type="checkbox"/> <input type="checkbox"/> <input type="checkbox"/> <input type="checkbox"/>	024 - 185-192	<input type="checkbox"/> <input type="checkbox"/> <input type="checkbox"/> <input type="checkbox"/> <input type="checkbox"/> <input type="checkbox"/> <input type="checkbox"/> <input type="checkbox"/>
025 - 193-200	<input type="checkbox"/> <input type="checkbox"/> <input type="checkbox"/> <input type="checkbox"/> <input type="checkbox"/> <input type="checkbox"/> <input type="checkbox"/> <input type="checkbox"/>	025 - 193-200	<input type="checkbox"/> <input type="checkbox"/> <input type="checkbox"/> <input type="checkbox"/> <input type="checkbox"/> <input type="checkbox"/> <input type="checkbox"/> <input type="checkbox"/>
026 - 201-208	<input type="checkbox"/> <input type="checkbox"/> <input type="checkbox"/> <input type="checkbox"/> <input type="checkbox"/> <input type="checkbox"/> <input type="checkbox"/> <input type="checkbox"/>	026 - 201-208	<input type="checkbox"/> <input type="checkbox"/> <input type="checkbox"/> <input type="checkbox"/> <input type="checkbox"/> <input type="checkbox"/> <input type="checkbox"/> <input type="checkbox"/>
027 - 209-216	<input type="checkbox"/> <input type="checkbox"/> <input type="checkbox"/> <input type="checkbox"/> <input type="checkbox"/> <input type="checkbox"/> <input type="checkbox"/> <input type="checkbox"/>	027 - 209-216	<input type="checkbox"/> <input type="checkbox"/> <input type="checkbox"/> <input type="checkbox"/> <input type="checkbox"/> <input type="checkbox"/> <input type="checkbox"/> <input type="checkbox"/>
028 - 217-224	<input type="checkbox"/> <input type="checkbox"/> <input type="checkbox"/> <input type="checkbox"/> <input type="checkbox"/> <input type="checkbox"/> <input type="checkbox"/> <input type="checkbox"/>	028 - 217-224	<input type="checkbox"/> <input type="checkbox"/> <input type="checkbox"/> <input type="checkbox"/> <input type="checkbox"/> <input type="checkbox"/> <input type="checkbox"/> <input type="checkbox"/>
029 - 225-232	<input type="checkbox"/> <input type="checkbox"/> <input type="checkbox"/> <input type="checkbox"/> <input type="checkbox"/> <input type="checkbox"/> <input type="checkbox"/> <input type="checkbox"/>	029 - 225-232	<input type="checkbox"/> <input type="checkbox"/> <input type="checkbox"/> <input type="checkbox"/> <input type="checkbox"/> <input type="checkbox"/> <input type="checkbox"/> <input type="checkbox"/>
030 - 233-240	<input type="checkbox"/> <input type="checkbox"/> <input type="checkbox"/> <input type="checkbox"/> <input type="checkbox"/> <input type="checkbox"/> <input type="checkbox"/> <input type="checkbox"/>	030 - 233-240	<input type="checkbox"/> <input type="checkbox"/> <input type="checkbox"/> <input type="checkbox"/> <input type="checkbox"/> <input type="checkbox"/> <input type="checkbox"/> <input type="checkbox"/>
031 - 241-248	<input type="checkbox"/> <input type="checkbox"/> <input type="checkbox"/> <input type="checkbox"/> <input type="checkbox"/> <input type="checkbox"/> <input type="checkbox"/> <input type="checkbox"/>	031 - 241-248	<input type="checkbox"/> <input type="checkbox"/> <input type="checkbox"/> <input type="checkbox"/> <input type="checkbox"/> <input type="checkbox"/> <input type="checkbox"/> <input type="checkbox"/>
[219] Partition 19 Zone Assignment		[220] Partition 20 Zone Assignment	
	Bit		Bit
	1 2 3 4 5 6 7 8		1 2 3 4 5 6 7 8
001 - 01-08	<input type="checkbox"/> <input type="checkbox"/> <input type="checkbox"/> <input type="checkbox"/> <input type="checkbox"/> <input type="checkbox"/> <input type="checkbox"/> <input type="checkbox"/>	001 - 01-08	<input type="checkbox"/> <input type="checkbox"/> <input type="checkbox"/> <input type="checkbox"/> <input type="checkbox"/> <input type="checkbox"/> <input type="checkbox"/> <input type="checkbox"/>
002 - 09-16	<input type="checkbox"/> <input type="checkbox"/> <input type="checkbox"/> <input type="checkbox"/> <input type="checkbox"/> <input type="checkbox"/> <input type="checkbox"/> <input type="checkbox"/>	002 - 09-16	<input type="checkbox"/> <input type="checkbox"/> <input type="checkbox"/> <input type="checkbox"/> <input type="checkbox"/> <input type="checkbox"/> <input type="checkbox"/> <input type="checkbox"/>
003 - 17-24	<input type="checkbox"/> <input type="checkbox"/> <input type="checkbox"/> <input type="checkbox"/> <input type="checkbox"/> <input type="checkbox"/> <input type="checkbox"/> <input type="checkbox"/>	003 - 17-24	<input type="checkbox"/> <input type="checkbox"/> <input type="checkbox"/> <input type="checkbox"/> <input type="checkbox"/> <input type="checkbox"/> <input type="checkbox"/> <input type="checkbox"/>
004 - 25-32	<input type="checkbox"/> <input type="checkbox"/> <input type="checkbox"/> <input type="checkbox"/> <input type="checkbox"/> <input type="checkbox"/> <input type="checkbox"/> <input type="checkbox"/>	004 - 25-32	<input type="checkbox"/> <input type="checkbox"/> <input type="checkbox"/> <input type="checkbox"/> <input type="checkbox"/> <input type="checkbox"/> <input type="checkbox"/> <input type="checkbox"/>
005 - 33-40	<input type="checkbox"/> <input type="checkbox"/> <input type="checkbox"/> <input type="checkbox"/> <input type="checkbox"/> <input type="checkbox"/> <input type="checkbox"/> <input type="checkbox"/>	005 - 33-40	<input type="checkbox"/> <input type="checkbox"/> <input type="checkbox"/> <input type="checkbox"/> <input type="checkbox"/> <input type="checkbox"/> <input type="checkbox"/> <input type="checkbox"/>
006 - 41-48	<input type="checkbox"/> <input type="checkbox"/> <input type="checkbox"/> <input type="checkbox"/> <input type="checkbox"/> <input type="checkbox"/> <input type="checkbox"/> <input type="checkbox"/>	006 - 41-48	<input type="checkbox"/> <input type="checkbox"/> <input type="checkbox"/> <input type="checkbox"/> <input type="checkbox"/> <input type="checkbox"/> <input type="checkbox"/> <input type="checkbox"/>
007 - 49-56	<input type="checkbox"/> <input type="checkbox"/> <input type="checkbox"/> <input type="checkbox"/> <input type="checkbox"/> <input type="checkbox"/> <input type="checkbox"/> <input type="checkbox"/>	007 - 49-56	<input type="checkbox"/> <input type="checkbox"/> <input type="checkbox"/> <input type="checkbox"/> <input type="checkbox"/> <input type="checkbox"/> <input type="checkbox"/> <input type="checkbox"/>
008 - 57-64	<input type="checkbox"/> <input type="checkbox"/> <input type="checkbox"/> <input type="checkbox"/> <input type="checkbox"/> <input type="checkbox"/> <input type="checkbox"/> <input type="checkbox"/>	008 - 57-64	<input type="checkbox"/> <input type="checkbox"/> <input type="checkbox"/> <input type="checkbox"/> <input type="checkbox"/> <input type="checkbox"/> <input type="checkbox"/> <input type="checkbox"/>
009 - 65-72	<input type="checkbox"/> <input type="checkbox"/> <input type="checkbox"/> <input type="checkbox"/> <input type="checkbox"/> <input type="checkbox"/> <input type="checkbox"/> <input type="checkbox"/>	009 - 65-72	<input type="checkbox"/> <input type="checkbox"/> <input type="checkbox"/> <input type="checkbox"/> <input type="checkbox"/> <input type="checkbox"/> <input type="checkbox"/> <input type="checkbox"/>
010 - 73-80	<input type="checkbox"/> <input type="checkbox"/> <input type="checkbox"/> <input type="checkbox"/> <input type="checkbox"/> <input type="checkbox"/> <input type="checkbox"/> <input type="checkbox"/>	010 - 73-80	<input type="checkbox"/> <input type="checkbox"/> <input type="checkbox"/> <input type="checkbox"/> <input type="checkbox"/> <input type="checkbox"/> <input type="checkbox"/> <input type="checkbox"/>
011 - 81-88	<input type="checkbox"/> <input type="checkbox"/> <input type="checkbox"/> <input type="checkbox"/> <input type="checkbox"/> <input type="checkbox"/> <input type="checkbox"/> <input type="checkbox"/>	011 - 81-88	<input type="checkbox"/> <input type="checkbox"/> <input type="checkbox"/> <input type="checkbox"/> <input type="checkbox"/> <input type="checkbox"/> <input type="checkbox"/> <input type="checkbox"/>
012 - 89-96	<input type="checkbox"/> <input type="checkbox"/> <input type="checkbox"/> <input type="checkbox"/> <input type="checkbox"/> <input type="checkbox"/> <input type="checkbox"/> <input type="checkbox"/>	012 - 89-96	<input type="checkbox"/> <input type="checkbox"/> <input type="checkbox"/> <input type="checkbox"/> <input type="checkbox"/> <input type="checkbox"/> <input type="checkbox"/> <input type="checkbox"/>
013 - 97-104	<input type="checkbox"/> <input type="checkbox"/> <input type="checkbox"/> <input type="checkbox"/> <input type="checkbox"/> <input type="checkbox"/> <input type="checkbox"/> <input type="checkbox"/>	013 - 97-104	<input type="checkbox"/> <input type="checkbox"/> <input type="checkbox"/> <input type="checkbox"/> <input type="checkbox"/> <input type="checkbox"/> <input type="checkbox"/> <input type="checkbox"/>
014 - 105-112	<input type="checkbox"/> <input type="checkbox"/> <input type="checkbox"/> <input type="checkbox"/> <input type="checkbox"/> <input type="checkbox"/> <input type="checkbox"/> <input type="checkbox"/>	014 - 105-112	<input type="checkbox"/> <input type="checkbox"/> <input type="checkbox"/> <input type="checkbox"/> <input type="checkbox"/> <input type="checkbox"/> <input type="checkbox"/> <input type="checkbox"/>
015 - 113-120	<input type="checkbox"/> <input type="checkbox"/> <input type="checkbox"/> <input type="checkbox"/> <input type="checkbox"/> <input type="checkbox"/> <input type="checkbox"/> <input type="checkbox"/>	015 - 113-120	<input type="checkbox"/> <input type="checkbox"/> <input type="checkbox"/> <input type="checkbox"/> <input type="checkbox"/> <input type="checkbox"/> <input type="checkbox"/> <input type="checkbox"/>
016 - 121-128	<input type="checkbox"/> <input type="checkbox"/> <input type="checkbox"/> <input type="checkbox"/> <input type="checkbox"/> <input type="checkbox"/> <input type="checkbox"/> <input type="checkbox"/>	016 - 121-128	<input type="checkbox"/> <input type="checkbox"/> <input type="checkbox"/> <input type="checkbox"/> <input type="checkbox"/> <input type="checkbox"/> <input type="checkbox"/> <input type="checkbox"/>
017 - 129-136	<input type="checkbox"/> <input type="checkbox"/> <input type="checkbox"/> <input type="checkbox"/> <input type="checkbox"/> <input type="checkbox"/> <input type="checkbox"/> <input type="checkbox"/>	017 - 129-136	<input type="checkbox"/> <input type="checkbox"/> <input type="checkbox"/> <input type="checkbox"/> <input type="checkbox"/> <input type="checkbox"/> <input type="checkbox"/> <input type="checkbox"/>
018 - 137-144	<input type="checkbox"/> <input type="checkbox"/> <input type="checkbox"/> <input type="checkbox"/> <input type="checkbox"/> <input type="checkbox"/> <input type="checkbox"/> <input type="checkbox"/>	018 - 137-144	<input type="checkbox"/> <input type="checkbox"/> <input type="checkbox"/> <input type="checkbox"/> <input type="checkbox"/> <input type="checkbox"/> <input type="checkbox"/> <input type="checkbox"/>
019 - 145-152	<input type="checkbox"/> <input type="checkbox"/> <input type="checkbox"/> <input type="checkbox"/> <input type="checkbox"/> <input type="checkbox"/> <input type="checkbox"/> <input type="checkbox"/>	019 - 145-152	<input type="checkbox"/> <input type="checkbox"/> <input type="checkbox"/> <input type="checkbox"/> <input type="checkbox"/> <input type="checkbox"/> <input type="checkbox"/> <input type="checkbox"/>
020 - 153-160	<input type="checkbox"/> <input type="checkbox"/> <input type="checkbox"/> <input type="checkbox"/> <input type="checkbox"/> <input type="checkbox"/> <input type="checkbox"/> <input type="checkbox"/>	020 - 153-160	<input type="checkbox"/> <input type="checkbox"/> <input type="checkbox"/> <input type="checkbox"/> <input type="checkbox"/> <input type="checkbox"/> <input type="checkbox"/> <input type="checkbox"/>
021 - 161-168	<input type="checkbox"/> <input type="checkbox"/> <input type="checkbox"/> <input type="checkbox"/> <input type="checkbox"/> <input type="checkbox"/> <input type="checkbox"/> <input type="checkbox"/>	021 - 161-168	<input type="checkbox"/> <input type="checkbox"/> <input type="checkbox"/> <input type="checkbox"/> <input type="checkbox"/> <input type="checkbox"/> <input type="checkbox"/> <input type="checkbox"/>
022 - 169-176	<input type="checkbox"/> <input type="checkbox"/> <input type="checkbox"/> <input type="checkbox"/> <input type="checkbox"/> <input type="checkbox"/> <input type="checkbox"/> <input type="checkbox"/>	022 - 169-176	<input type="checkbox"/> <input type="checkbox"/> <input type="checkbox"/> <input type="checkbox"/> <input type="checkbox"/> <input type="checkbox"/> <input type="checkbox"/> <input type="checkbox"/>
023 - 177-184	<input type="checkbox"/> <input type="checkbox"/> <input type="checkbox"/> <input type="checkbox"/> <input type="checkbox"/> <input type="checkbox"/> <input type="checkbox"/> <input type="checkbox"/>	023 - 177-184	<input type="checkbox"/> <input type="checkbox"/> <input type="checkbox"/> <input type="checkbox"/> <input type="checkbox"/> <input type="checkbox"/> <input type="checkbox"/> <input type="checkbox"/>
024 - 185-192	<input type="checkbox"/> <input type="checkbox"/> <input type="checkbox"/> <input type="checkbox"/> <input type="checkbox"/> <input type="checkbox"/> <input type="checkbox"/> <input type="checkbox"/>	024 - 185-192	<input type="checkbox"/> <input type="checkbox"/> <input type="checkbox"/> <input type="checkbox"/> <input type="checkbox"/> <input type="checkbox"/> <input type="checkbox"/> <input type="checkbox"/>
025 - 193-200	<input type="checkbox"/> <input type="checkbox"/> <input type="checkbox"/> <input type="checkbox"/> <input type="checkbox"/> <input type="checkbox"/> <input type="checkbox"/> <input type="checkbox"/>	025 - 193-200	<input type="checkbox"/> <input type="checkbox"/> <input type="checkbox"/> <input type="checkbox"/> <input type="checkbox"/> <input type="checkbox"/> <input type="checkbox"/> <input type="checkbox"/>

[201]-[232] Partition Zone Assignment			
(Description on [201]-[232] Partition Zone Assignment)			
026 - 201-208	<input type="checkbox"/> <input type="checkbox"/> <input type="checkbox"/> <input type="checkbox"/> <input type="checkbox"/> <input type="checkbox"/> <input type="checkbox"/> <input type="checkbox"/>	026 - 201-208	<input type="checkbox"/> <input type="checkbox"/> <input type="checkbox"/> <input type="checkbox"/> <input type="checkbox"/> <input type="checkbox"/> <input type="checkbox"/> <input type="checkbox"/>
027 - 209-216	<input type="checkbox"/> <input type="checkbox"/> <input type="checkbox"/> <input type="checkbox"/> <input type="checkbox"/> <input type="checkbox"/> <input type="checkbox"/> <input type="checkbox"/>	027 - 209-216	<input type="checkbox"/> <input type="checkbox"/> <input type="checkbox"/> <input type="checkbox"/> <input type="checkbox"/> <input type="checkbox"/> <input type="checkbox"/> <input type="checkbox"/>
028 - 217-224	<input type="checkbox"/> <input type="checkbox"/> <input type="checkbox"/> <input type="checkbox"/> <input type="checkbox"/> <input type="checkbox"/> <input type="checkbox"/> <input type="checkbox"/>	028 - 217-224	<input type="checkbox"/> <input type="checkbox"/> <input type="checkbox"/> <input type="checkbox"/> <input type="checkbox"/> <input type="checkbox"/> <input type="checkbox"/> <input type="checkbox"/>
029 - 225-232	<input type="checkbox"/> <input type="checkbox"/> <input type="checkbox"/> <input type="checkbox"/> <input type="checkbox"/> <input type="checkbox"/> <input type="checkbox"/> <input type="checkbox"/>	029 - 225-232	<input type="checkbox"/> <input type="checkbox"/> <input type="checkbox"/> <input type="checkbox"/> <input type="checkbox"/> <input type="checkbox"/> <input type="checkbox"/> <input type="checkbox"/>
030 - 233-240	<input type="checkbox"/> <input type="checkbox"/> <input type="checkbox"/> <input type="checkbox"/> <input type="checkbox"/> <input type="checkbox"/> <input type="checkbox"/> <input type="checkbox"/>	030 - 233-240	<input type="checkbox"/> <input type="checkbox"/> <input type="checkbox"/> <input type="checkbox"/> <input type="checkbox"/> <input type="checkbox"/> <input type="checkbox"/> <input type="checkbox"/>
031 - 241-248	<input type="checkbox"/> <input type="checkbox"/> <input type="checkbox"/> <input type="checkbox"/> <input type="checkbox"/> <input type="checkbox"/> <input type="checkbox"/> <input type="checkbox"/>	031 - 241-248	<input type="checkbox"/> <input type="checkbox"/> <input type="checkbox"/> <input type="checkbox"/> <input type="checkbox"/> <input type="checkbox"/> <input type="checkbox"/> <input type="checkbox"/>
[221] Partition 21 Zone Assignment		[222] Partition 22 Zone Assignment	
	Bit 1 2 3 4 5 6 7 8		Bit 1 2 3 4 5 6 7 8
001 - 01-08	<input type="checkbox"/> <input type="checkbox"/> <input type="checkbox"/> <input type="checkbox"/> <input type="checkbox"/> <input type="checkbox"/> <input type="checkbox"/> <input type="checkbox"/>	001 - 01-08	<input type="checkbox"/> <input type="checkbox"/> <input type="checkbox"/> <input type="checkbox"/> <input type="checkbox"/> <input type="checkbox"/> <input type="checkbox"/> <input type="checkbox"/>
002 - 09-16	<input type="checkbox"/> <input type="checkbox"/> <input type="checkbox"/> <input type="checkbox"/> <input type="checkbox"/> <input type="checkbox"/> <input type="checkbox"/> <input type="checkbox"/>	002 - 09-16	<input type="checkbox"/> <input type="checkbox"/> <input type="checkbox"/> <input type="checkbox"/> <input type="checkbox"/> <input type="checkbox"/> <input type="checkbox"/> <input type="checkbox"/>
003 - 17-24	<input type="checkbox"/> <input type="checkbox"/> <input type="checkbox"/> <input type="checkbox"/> <input type="checkbox"/> <input type="checkbox"/> <input type="checkbox"/> <input type="checkbox"/>	003 - 17-24	<input type="checkbox"/> <input type="checkbox"/> <input type="checkbox"/> <input type="checkbox"/> <input type="checkbox"/> <input type="checkbox"/> <input type="checkbox"/> <input type="checkbox"/>
004 - 25-32	<input type="checkbox"/> <input type="checkbox"/> <input type="checkbox"/> <input type="checkbox"/> <input type="checkbox"/> <input type="checkbox"/> <input type="checkbox"/> <input type="checkbox"/>	004 - 25-32	<input type="checkbox"/> <input type="checkbox"/> <input type="checkbox"/> <input type="checkbox"/> <input type="checkbox"/> <input type="checkbox"/> <input type="checkbox"/> <input type="checkbox"/>
005 - 33-40	<input type="checkbox"/> <input type="checkbox"/> <input type="checkbox"/> <input type="checkbox"/> <input type="checkbox"/> <input type="checkbox"/> <input type="checkbox"/> <input type="checkbox"/>	005 - 33-40	<input type="checkbox"/> <input type="checkbox"/> <input type="checkbox"/> <input type="checkbox"/> <input type="checkbox"/> <input type="checkbox"/> <input type="checkbox"/> <input type="checkbox"/>
006 - 41-48	<input type="checkbox"/> <input type="checkbox"/> <input type="checkbox"/> <input type="checkbox"/> <input type="checkbox"/> <input type="checkbox"/> <input type="checkbox"/> <input type="checkbox"/>	006 - 41-48	<input type="checkbox"/> <input type="checkbox"/> <input type="checkbox"/> <input type="checkbox"/> <input type="checkbox"/> <input type="checkbox"/> <input type="checkbox"/> <input type="checkbox"/>
007 - 49-56	<input type="checkbox"/> <input type="checkbox"/> <input type="checkbox"/> <input type="checkbox"/> <input type="checkbox"/> <input type="checkbox"/> <input type="checkbox"/> <input type="checkbox"/>	007 - 49-56	<input type="checkbox"/> <input type="checkbox"/> <input type="checkbox"/> <input type="checkbox"/> <input type="checkbox"/> <input type="checkbox"/> <input type="checkbox"/> <input type="checkbox"/>
008 - 57-64	<input type="checkbox"/> <input type="checkbox"/> <input type="checkbox"/> <input type="checkbox"/> <input type="checkbox"/> <input type="checkbox"/> <input type="checkbox"/> <input type="checkbox"/>	008 - 57-64	<input type="checkbox"/> <input type="checkbox"/> <input type="checkbox"/> <input type="checkbox"/> <input type="checkbox"/> <input type="checkbox"/> <input type="checkbox"/> <input type="checkbox"/>
009 - 65-72	<input type="checkbox"/> <input type="checkbox"/> <input type="checkbox"/> <input type="checkbox"/> <input type="checkbox"/> <input type="checkbox"/> <input type="checkbox"/> <input type="checkbox"/>	009 - 65-72	<input type="checkbox"/> <input type="checkbox"/> <input type="checkbox"/> <input type="checkbox"/> <input type="checkbox"/> <input type="checkbox"/> <input type="checkbox"/> <input type="checkbox"/>
010 - 73-80	<input type="checkbox"/> <input type="checkbox"/> <input type="checkbox"/> <input type="checkbox"/> <input type="checkbox"/> <input type="checkbox"/> <input type="checkbox"/> <input type="checkbox"/>	010 - 73-80	<input type="checkbox"/> <input type="checkbox"/> <input type="checkbox"/> <input type="checkbox"/> <input type="checkbox"/> <input type="checkbox"/> <input type="checkbox"/> <input type="checkbox"/>
011 - 81-88	<input type="checkbox"/> <input type="checkbox"/> <input type="checkbox"/> <input type="checkbox"/> <input type="checkbox"/> <input type="checkbox"/> <input type="checkbox"/> <input type="checkbox"/>	011 - 81-88	<input type="checkbox"/> <input type="checkbox"/> <input type="checkbox"/> <input type="checkbox"/> <input type="checkbox"/> <input type="checkbox"/> <input type="checkbox"/> <input type="checkbox"/>
012 - 89-96	<input type="checkbox"/> <input type="checkbox"/> <input type="checkbox"/> <input type="checkbox"/> <input type="checkbox"/> <input type="checkbox"/> <input type="checkbox"/> <input type="checkbox"/>	012 - 89-96	<input type="checkbox"/> <input type="checkbox"/> <input type="checkbox"/> <input type="checkbox"/> <input type="checkbox"/> <input type="checkbox"/> <input type="checkbox"/> <input type="checkbox"/>
013 - 97-104	<input type="checkbox"/> <input type="checkbox"/> <input type="checkbox"/> <input type="checkbox"/> <input type="checkbox"/> <input type="checkbox"/> <input type="checkbox"/> <input type="checkbox"/>	013 - 97-104	<input type="checkbox"/> <input type="checkbox"/> <input type="checkbox"/> <input type="checkbox"/> <input type="checkbox"/> <input type="checkbox"/> <input type="checkbox"/> <input type="checkbox"/>
014 - 105-112	<input type="checkbox"/> <input type="checkbox"/> <input type="checkbox"/> <input type="checkbox"/> <input type="checkbox"/> <input type="checkbox"/> <input type="checkbox"/> <input type="checkbox"/>	014 - 105-112	<input type="checkbox"/> <input type="checkbox"/> <input type="checkbox"/> <input type="checkbox"/> <input type="checkbox"/> <input type="checkbox"/> <input type="checkbox"/> <input type="checkbox"/>
015 - 113-120	<input type="checkbox"/> <input type="checkbox"/> <input type="checkbox"/> <input type="checkbox"/> <input type="checkbox"/> <input type="checkbox"/> <input type="checkbox"/> <input type="checkbox"/>	015 - 113-120	<input type="checkbox"/> <input type="checkbox"/> <input type="checkbox"/> <input type="checkbox"/> <input type="checkbox"/> <input type="checkbox"/> <input type="checkbox"/> <input type="checkbox"/>
016 - 121-128	<input type="checkbox"/> <input type="checkbox"/> <input type="checkbox"/> <input type="checkbox"/> <input type="checkbox"/> <input type="checkbox"/> <input type="checkbox"/> <input type="checkbox"/>	016 - 121-128	<input type="checkbox"/> <input type="checkbox"/> <input type="checkbox"/> <input type="checkbox"/> <input type="checkbox"/> <input type="checkbox"/> <input type="checkbox"/> <input type="checkbox"/>
017 - 129-136	<input type="checkbox"/> <input type="checkbox"/> <input type="checkbox"/> <input type="checkbox"/> <input type="checkbox"/> <input type="checkbox"/> <input type="checkbox"/> <input type="checkbox"/>	017 - 129-136	<input type="checkbox"/> <input type="checkbox"/> <input type="checkbox"/> <input type="checkbox"/> <input type="checkbox"/> <input type="checkbox"/> <input type="checkbox"/> <input type="checkbox"/>
018 - 137-144	<input type="checkbox"/> <input type="checkbox"/> <input type="checkbox"/> <input type="checkbox"/> <input type="checkbox"/> <input type="checkbox"/> <input type="checkbox"/> <input type="checkbox"/>	018 - 137-144	<input type="checkbox"/> <input type="checkbox"/> <input type="checkbox"/> <input type="checkbox"/> <input type="checkbox"/> <input type="checkbox"/> <input type="checkbox"/> <input type="checkbox"/>
019 - 145-152	<input type="checkbox"/> <input type="checkbox"/> <input type="checkbox"/> <input type="checkbox"/> <input type="checkbox"/> <input type="checkbox"/> <input type="checkbox"/> <input type="checkbox"/>	019 - 145-152	<input type="checkbox"/> <input type="checkbox"/> <input type="checkbox"/> <input type="checkbox"/> <input type="checkbox"/> <input type="checkbox"/> <input type="checkbox"/> <input type="checkbox"/>
020 - 153-160	<input type="checkbox"/> <input type="checkbox"/> <input type="checkbox"/> <input type="checkbox"/> <input type="checkbox"/> <input type="checkbox"/> <input type="checkbox"/> <input type="checkbox"/>	020 - 153-160	<input type="checkbox"/> <input type="checkbox"/> <input type="checkbox"/> <input type="checkbox"/> <input type="checkbox"/> <input type="checkbox"/> <input type="checkbox"/> <input type="checkbox"/>
021 - 161-168	<input type="checkbox"/> <input type="checkbox"/> <input type="checkbox"/> <input type="checkbox"/> <input type="checkbox"/> <input type="checkbox"/> <input type="checkbox"/> <input type="checkbox"/>	021 - 161-168	<input type="checkbox"/> <input type="checkbox"/> <input type="checkbox"/> <input type="checkbox"/> <input type="checkbox"/> <input type="checkbox"/> <input type="checkbox"/> <input type="checkbox"/>
022 - 169-176	<input type="checkbox"/> <input type="checkbox"/> <input type="checkbox"/> <input type="checkbox"/> <input type="checkbox"/> <input type="checkbox"/> <input type="checkbox"/> <input type="checkbox"/>	022 - 169-176	<input type="checkbox"/> <input type="checkbox"/> <input type="checkbox"/> <input type="checkbox"/> <input type="checkbox"/> <input type="checkbox"/> <input type="checkbox"/> <input type="checkbox"/>
023 - 177-184	<input type="checkbox"/> <input type="checkbox"/> <input type="checkbox"/> <input type="checkbox"/> <input type="checkbox"/> <input type="checkbox"/> <input type="checkbox"/> <input type="checkbox"/>	023 - 177-184	<input type="checkbox"/> <input type="checkbox"/> <input type="checkbox"/> <input type="checkbox"/> <input type="checkbox"/> <input type="checkbox"/> <input type="checkbox"/> <input type="checkbox"/>
024 - 185-192	<input type="checkbox"/> <input type="checkbox"/> <input type="checkbox"/> <input type="checkbox"/> <input type="checkbox"/> <input type="checkbox"/> <input type="checkbox"/> <input type="checkbox"/>	024 - 185-192	<input type="checkbox"/> <input type="checkbox"/> <input type="checkbox"/> <input type="checkbox"/> <input type="checkbox"/> <input type="checkbox"/> <input type="checkbox"/> <input type="checkbox"/>
025 - 193-200	<input type="checkbox"/> <input type="checkbox"/> <input type="checkbox"/> <input type="checkbox"/> <input type="checkbox"/> <input type="checkbox"/> <input type="checkbox"/> <input type="checkbox"/>	025 - 193-200	<input type="checkbox"/> <input type="checkbox"/> <input type="checkbox"/> <input type="checkbox"/> <input type="checkbox"/> <input type="checkbox"/> <input type="checkbox"/> <input type="checkbox"/>
026 - 201-208	<input type="checkbox"/> <input type="checkbox"/> <input type="checkbox"/> <input type="checkbox"/> <input type="checkbox"/> <input type="checkbox"/> <input type="checkbox"/> <input type="checkbox"/>	026 - 201-208	<input type="checkbox"/> <input type="checkbox"/> <input type="checkbox"/> <input type="checkbox"/> <input type="checkbox"/> <input type="checkbox"/> <input type="checkbox"/> <input type="checkbox"/>
027 - 209-216	<input type="checkbox"/> <input type="checkbox"/> <input type="checkbox"/> <input type="checkbox"/> <input type="checkbox"/> <input type="checkbox"/> <input type="checkbox"/> <input type="checkbox"/>	027 - 209-216	<input type="checkbox"/> <input type="checkbox"/> <input type="checkbox"/> <input type="checkbox"/> <input type="checkbox"/> <input type="checkbox"/> <input type="checkbox"/> <input type="checkbox"/>
028 - 217-224	<input type="checkbox"/> <input type="checkbox"/> <input type="checkbox"/> <input type="checkbox"/> <input type="checkbox"/> <input type="checkbox"/> <input type="checkbox"/> <input type="checkbox"/>	028 - 217-224	<input type="checkbox"/> <input type="checkbox"/> <input type="checkbox"/> <input type="checkbox"/> <input type="checkbox"/> <input type="checkbox"/> <input type="checkbox"/> <input type="checkbox"/>
029 - 225-232	<input type="checkbox"/> <input type="checkbox"/> <input type="checkbox"/> <input type="checkbox"/> <input type="checkbox"/> <input type="checkbox"/> <input type="checkbox"/> <input type="checkbox"/>	029 - 225-232	<input type="checkbox"/> <input type="checkbox"/> <input type="checkbox"/> <input type="checkbox"/> <input type="checkbox"/> <input type="checkbox"/> <input type="checkbox"/> <input type="checkbox"/>
030 - 233-240	<input type="checkbox"/> <input type="checkbox"/> <input type="checkbox"/> <input type="checkbox"/> <input type="checkbox"/> <input type="checkbox"/> <input type="checkbox"/> <input type="checkbox"/>	030 - 233-240	<input type="checkbox"/> <input type="checkbox"/> <input type="checkbox"/> <input type="checkbox"/> <input type="checkbox"/> <input type="checkbox"/> <input type="checkbox"/> <input type="checkbox"/>

[201]-[232] Partition Zone Assignment			
(Description on [201]-[232] Partition Zone Assignment)			
031 - 241-248	<input type="checkbox"/> <input type="checkbox"/> <input type="checkbox"/> <input type="checkbox"/> <input type="checkbox"/> <input type="checkbox"/> <input type="checkbox"/> <input type="checkbox"/> <input type="checkbox"/>	031 - 241-248	<input type="checkbox"/> <input type="checkbox"/> <input type="checkbox"/> <input type="checkbox"/> <input type="checkbox"/> <input type="checkbox"/> <input type="checkbox"/> <input type="checkbox"/>
[223] Partition 23 Zone Assignment		[224] Partition 24 Zone Assignment	
	Bit		Bit
	1 2 3 4 5 6 7 8		1 2 3 4 5 6 7 8
001 - 01-08	<input type="checkbox"/> <input type="checkbox"/> <input type="checkbox"/> <input type="checkbox"/> <input type="checkbox"/> <input type="checkbox"/> <input type="checkbox"/> <input type="checkbox"/>	001 - 01-08	<input type="checkbox"/> <input type="checkbox"/> <input type="checkbox"/> <input type="checkbox"/> <input type="checkbox"/> <input type="checkbox"/> <input type="checkbox"/> <input type="checkbox"/>
002 - 09-16	<input type="checkbox"/> <input type="checkbox"/> <input type="checkbox"/> <input type="checkbox"/> <input type="checkbox"/> <input type="checkbox"/> <input type="checkbox"/> <input type="checkbox"/>	002 - 09-16	<input type="checkbox"/> <input type="checkbox"/> <input type="checkbox"/> <input type="checkbox"/> <input type="checkbox"/> <input type="checkbox"/> <input type="checkbox"/> <input type="checkbox"/>
003 - 17-24	<input type="checkbox"/> <input type="checkbox"/> <input type="checkbox"/> <input type="checkbox"/> <input type="checkbox"/> <input type="checkbox"/> <input type="checkbox"/> <input type="checkbox"/>	003 - 17-24	<input type="checkbox"/> <input type="checkbox"/> <input type="checkbox"/> <input type="checkbox"/> <input type="checkbox"/> <input type="checkbox"/> <input type="checkbox"/> <input type="checkbox"/>
004 - 25-32	<input type="checkbox"/> <input type="checkbox"/> <input type="checkbox"/> <input type="checkbox"/> <input type="checkbox"/> <input type="checkbox"/> <input type="checkbox"/> <input type="checkbox"/>	004 - 25-32	<input type="checkbox"/> <input type="checkbox"/> <input type="checkbox"/> <input type="checkbox"/> <input type="checkbox"/> <input type="checkbox"/> <input type="checkbox"/> <input type="checkbox"/>
005 - 33-40	<input type="checkbox"/> <input type="checkbox"/> <input type="checkbox"/> <input type="checkbox"/> <input type="checkbox"/> <input type="checkbox"/> <input type="checkbox"/> <input type="checkbox"/>	005 - 33-40	<input type="checkbox"/> <input type="checkbox"/> <input type="checkbox"/> <input type="checkbox"/> <input type="checkbox"/> <input type="checkbox"/> <input type="checkbox"/> <input type="checkbox"/>
006 - 41-48	<input type="checkbox"/> <input type="checkbox"/> <input type="checkbox"/> <input type="checkbox"/> <input type="checkbox"/> <input type="checkbox"/> <input type="checkbox"/> <input type="checkbox"/>	006 - 41-48	<input type="checkbox"/> <input type="checkbox"/> <input type="checkbox"/> <input type="checkbox"/> <input type="checkbox"/> <input type="checkbox"/> <input type="checkbox"/> <input type="checkbox"/>
007 - 49-56	<input type="checkbox"/> <input type="checkbox"/> <input type="checkbox"/> <input type="checkbox"/> <input type="checkbox"/> <input type="checkbox"/> <input type="checkbox"/> <input type="checkbox"/>	007 - 49-56	<input type="checkbox"/> <input type="checkbox"/> <input type="checkbox"/> <input type="checkbox"/> <input type="checkbox"/> <input type="checkbox"/> <input type="checkbox"/> <input type="checkbox"/>
008 - 57-64	<input type="checkbox"/> <input type="checkbox"/> <input type="checkbox"/> <input type="checkbox"/> <input type="checkbox"/> <input type="checkbox"/> <input type="checkbox"/> <input type="checkbox"/>	008 - 57-64	<input type="checkbox"/> <input type="checkbox"/> <input type="checkbox"/> <input type="checkbox"/> <input type="checkbox"/> <input type="checkbox"/> <input type="checkbox"/> <input type="checkbox"/>
009 - 65-72	<input type="checkbox"/> <input type="checkbox"/> <input type="checkbox"/> <input type="checkbox"/> <input type="checkbox"/> <input type="checkbox"/> <input type="checkbox"/> <input type="checkbox"/>	009 - 65-72	<input type="checkbox"/> <input type="checkbox"/> <input type="checkbox"/> <input type="checkbox"/> <input type="checkbox"/> <input type="checkbox"/> <input type="checkbox"/> <input type="checkbox"/>
010 - 73-80	<input type="checkbox"/> <input type="checkbox"/> <input type="checkbox"/> <input type="checkbox"/> <input type="checkbox"/> <input type="checkbox"/> <input type="checkbox"/> <input type="checkbox"/>	010 - 73-80	<input type="checkbox"/> <input type="checkbox"/> <input type="checkbox"/> <input type="checkbox"/> <input type="checkbox"/> <input type="checkbox"/> <input type="checkbox"/> <input type="checkbox"/>
011 - 81-88	<input type="checkbox"/> <input type="checkbox"/> <input type="checkbox"/> <input type="checkbox"/> <input type="checkbox"/> <input type="checkbox"/> <input type="checkbox"/> <input type="checkbox"/>	011 - 81-88	<input type="checkbox"/> <input type="checkbox"/> <input type="checkbox"/> <input type="checkbox"/> <input type="checkbox"/> <input type="checkbox"/> <input type="checkbox"/> <input type="checkbox"/>
012 - 89-96	<input type="checkbox"/> <input type="checkbox"/> <input type="checkbox"/> <input type="checkbox"/> <input type="checkbox"/> <input type="checkbox"/> <input type="checkbox"/> <input type="checkbox"/>	012 - 89-96	<input type="checkbox"/> <input type="checkbox"/> <input type="checkbox"/> <input type="checkbox"/> <input type="checkbox"/> <input type="checkbox"/> <input type="checkbox"/> <input type="checkbox"/>
013 - 97-104	<input type="checkbox"/> <input type="checkbox"/> <input type="checkbox"/> <input type="checkbox"/> <input type="checkbox"/> <input type="checkbox"/> <input type="checkbox"/> <input type="checkbox"/>	013 - 97-104	<input type="checkbox"/> <input type="checkbox"/> <input type="checkbox"/> <input type="checkbox"/> <input type="checkbox"/> <input type="checkbox"/> <input type="checkbox"/> <input type="checkbox"/>
014 - 105-112	<input type="checkbox"/> <input type="checkbox"/> <input type="checkbox"/> <input type="checkbox"/> <input type="checkbox"/> <input type="checkbox"/> <input type="checkbox"/> <input type="checkbox"/>	014 - 105-112	<input type="checkbox"/> <input type="checkbox"/> <input type="checkbox"/> <input type="checkbox"/> <input type="checkbox"/> <input type="checkbox"/> <input type="checkbox"/> <input type="checkbox"/>
015 - 113-120	<input type="checkbox"/> <input type="checkbox"/> <input type="checkbox"/> <input type="checkbox"/> <input type="checkbox"/> <input type="checkbox"/> <input type="checkbox"/> <input type="checkbox"/>	015 - 113-120	<input type="checkbox"/> <input type="checkbox"/> <input type="checkbox"/> <input type="checkbox"/> <input type="checkbox"/> <input type="checkbox"/> <input type="checkbox"/> <input type="checkbox"/>
016 - 121-128	<input type="checkbox"/> <input type="checkbox"/> <input type="checkbox"/> <input type="checkbox"/> <input type="checkbox"/> <input type="checkbox"/> <input type="checkbox"/> <input type="checkbox"/>	016 - 121-128	<input type="checkbox"/> <input type="checkbox"/> <input type="checkbox"/> <input type="checkbox"/> <input type="checkbox"/> <input type="checkbox"/> <input type="checkbox"/> <input type="checkbox"/>
017 - 129-136	<input type="checkbox"/> <input type="checkbox"/> <input type="checkbox"/> <input type="checkbox"/> <input type="checkbox"/> <input type="checkbox"/> <input type="checkbox"/> <input type="checkbox"/>	017 - 129-136	<input type="checkbox"/> <input type="checkbox"/> <input type="checkbox"/> <input type="checkbox"/> <input type="checkbox"/> <input type="checkbox"/> <input type="checkbox"/> <input type="checkbox"/>
018 - 137-144	<input type="checkbox"/> <input type="checkbox"/> <input type="checkbox"/> <input type="checkbox"/> <input type="checkbox"/> <input type="checkbox"/> <input type="checkbox"/> <input type="checkbox"/>	018 - 137-144	<input type="checkbox"/> <input type="checkbox"/> <input type="checkbox"/> <input type="checkbox"/> <input type="checkbox"/> <input type="checkbox"/> <input type="checkbox"/> <input type="checkbox"/>
019 - 145-152	<input type="checkbox"/> <input type="checkbox"/> <input type="checkbox"/> <input type="checkbox"/> <input type="checkbox"/> <input type="checkbox"/> <input type="checkbox"/> <input type="checkbox"/>	019 - 145-152	<input type="checkbox"/> <input type="checkbox"/> <input type="checkbox"/> <input type="checkbox"/> <input type="checkbox"/> <input type="checkbox"/> <input type="checkbox"/> <input type="checkbox"/>
020 - 153-160	<input type="checkbox"/> <input type="checkbox"/> <input type="checkbox"/> <input type="checkbox"/> <input type="checkbox"/> <input type="checkbox"/> <input type="checkbox"/> <input type="checkbox"/>	020 - 153-160	<input type="checkbox"/> <input type="checkbox"/> <input type="checkbox"/> <input type="checkbox"/> <input type="checkbox"/> <input type="checkbox"/> <input type="checkbox"/> <input type="checkbox"/>
021 - 161-168	<input type="checkbox"/> <input type="checkbox"/> <input type="checkbox"/> <input type="checkbox"/> <input type="checkbox"/> <input type="checkbox"/> <input type="checkbox"/> <input type="checkbox"/>	021 - 161-168	<input type="checkbox"/> <input type="checkbox"/> <input type="checkbox"/> <input type="checkbox"/> <input type="checkbox"/> <input type="checkbox"/> <input type="checkbox"/> <input type="checkbox"/>
022 - 169-176	<input type="checkbox"/> <input type="checkbox"/> <input type="checkbox"/> <input type="checkbox"/> <input type="checkbox"/> <input type="checkbox"/> <input type="checkbox"/> <input type="checkbox"/>	022 - 169-176	<input type="checkbox"/> <input type="checkbox"/> <input type="checkbox"/> <input type="checkbox"/> <input type="checkbox"/> <input type="checkbox"/> <input type="checkbox"/> <input type="checkbox"/>
023 - 177-184	<input type="checkbox"/> <input type="checkbox"/> <input type="checkbox"/> <input type="checkbox"/> <input type="checkbox"/> <input type="checkbox"/> <input type="checkbox"/> <input type="checkbox"/>	023 - 177-184	<input type="checkbox"/> <input type="checkbox"/> <input type="checkbox"/> <input type="checkbox"/> <input type="checkbox"/> <input type="checkbox"/> <input type="checkbox"/> <input type="checkbox"/>
024 - 185-192	<input type="checkbox"/> <input type="checkbox"/> <input type="checkbox"/> <input type="checkbox"/> <input type="checkbox"/> <input type="checkbox"/> <input type="checkbox"/> <input type="checkbox"/>	024 - 185-192	<input type="checkbox"/> <input type="checkbox"/> <input type="checkbox"/> <input type="checkbox"/> <input type="checkbox"/> <input type="checkbox"/> <input type="checkbox"/> <input type="checkbox"/>
025 - 193-200	<input type="checkbox"/> <input type="checkbox"/> <input type="checkbox"/> <input type="checkbox"/> <input type="checkbox"/> <input type="checkbox"/> <input type="checkbox"/> <input type="checkbox"/>	025 - 193-200	<input type="checkbox"/> <input type="checkbox"/> <input type="checkbox"/> <input type="checkbox"/> <input type="checkbox"/> <input type="checkbox"/> <input type="checkbox"/> <input type="checkbox"/>
026 - 201-208	<input type="checkbox"/> <input type="checkbox"/> <input type="checkbox"/> <input type="checkbox"/> <input type="checkbox"/> <input type="checkbox"/> <input type="checkbox"/> <input type="checkbox"/>	026 - 201-208	<input type="checkbox"/> <input type="checkbox"/> <input type="checkbox"/> <input type="checkbox"/> <input type="checkbox"/> <input type="checkbox"/> <input type="checkbox"/> <input type="checkbox"/>
027 - 209-216	<input type="checkbox"/> <input type="checkbox"/> <input type="checkbox"/> <input type="checkbox"/> <input type="checkbox"/> <input type="checkbox"/> <input type="checkbox"/> <input type="checkbox"/>	027 - 209-216	<input type="checkbox"/> <input type="checkbox"/> <input type="checkbox"/> <input type="checkbox"/> <input type="checkbox"/> <input type="checkbox"/> <input type="checkbox"/> <input type="checkbox"/>
028 - 217-224	<input type="checkbox"/> <input type="checkbox"/> <input type="checkbox"/> <input type="checkbox"/> <input type="checkbox"/> <input type="checkbox"/> <input type="checkbox"/> <input type="checkbox"/>	028 - 217-224	<input type="checkbox"/> <input type="checkbox"/> <input type="checkbox"/> <input type="checkbox"/> <input type="checkbox"/> <input type="checkbox"/> <input type="checkbox"/> <input type="checkbox"/>
029 - 225-232	<input type="checkbox"/> <input type="checkbox"/> <input type="checkbox"/> <input type="checkbox"/> <input type="checkbox"/> <input type="checkbox"/> <input type="checkbox"/> <input type="checkbox"/>	029 - 225-232	<input type="checkbox"/> <input type="checkbox"/> <input type="checkbox"/> <input type="checkbox"/> <input type="checkbox"/> <input type="checkbox"/> <input type="checkbox"/> <input type="checkbox"/>
030 - 233-240	<input type="checkbox"/> <input type="checkbox"/> <input type="checkbox"/> <input type="checkbox"/> <input type="checkbox"/> <input type="checkbox"/> <input type="checkbox"/> <input type="checkbox"/>	030 - 233-240	<input type="checkbox"/> <input type="checkbox"/> <input type="checkbox"/> <input type="checkbox"/> <input type="checkbox"/> <input type="checkbox"/> <input type="checkbox"/> <input type="checkbox"/>
031 - 241-248	<input type="checkbox"/> <input type="checkbox"/> <input type="checkbox"/> <input type="checkbox"/> <input type="checkbox"/> <input type="checkbox"/> <input type="checkbox"/> <input type="checkbox"/>	031 - 241-248	<input type="checkbox"/> <input type="checkbox"/> <input type="checkbox"/> <input type="checkbox"/> <input type="checkbox"/> <input type="checkbox"/> <input type="checkbox"/> <input type="checkbox"/>
[225] Partition 25 Zone Assignment		[226] Partition 26 Zone Assignment	
	Bit		Bit
	1 2 3 4 5 6 7 8		1 2 3 4 5 6 7 8

[201]-[232] Partition Zone Assignment			
(Description on [201]-[232] Partition Zone Assignment)			
001 - 01-08	<input type="checkbox"/> <input type="checkbox"/> <input type="checkbox"/> <input type="checkbox"/> <input type="checkbox"/> <input type="checkbox"/> <input type="checkbox"/> <input type="checkbox"/>	001 - 01-08	<input type="checkbox"/> <input type="checkbox"/> <input type="checkbox"/> <input type="checkbox"/> <input type="checkbox"/> <input type="checkbox"/> <input type="checkbox"/> <input type="checkbox"/>
002 - 09-16	<input type="checkbox"/> <input type="checkbox"/> <input type="checkbox"/> <input type="checkbox"/> <input type="checkbox"/> <input type="checkbox"/> <input type="checkbox"/> <input type="checkbox"/>	002 - 09-16	<input type="checkbox"/> <input type="checkbox"/> <input type="checkbox"/> <input type="checkbox"/> <input type="checkbox"/> <input type="checkbox"/> <input type="checkbox"/> <input type="checkbox"/>
003 - 17-24	<input type="checkbox"/> <input type="checkbox"/> <input type="checkbox"/> <input type="checkbox"/> <input type="checkbox"/> <input type="checkbox"/> <input type="checkbox"/> <input type="checkbox"/>	003 - 17-24	<input type="checkbox"/> <input type="checkbox"/> <input type="checkbox"/> <input type="checkbox"/> <input type="checkbox"/> <input type="checkbox"/> <input type="checkbox"/> <input type="checkbox"/>
004 - 25-32	<input type="checkbox"/> <input type="checkbox"/> <input type="checkbox"/> <input type="checkbox"/> <input type="checkbox"/> <input type="checkbox"/> <input type="checkbox"/> <input type="checkbox"/>	004 - 25-32	<input type="checkbox"/> <input type="checkbox"/> <input type="checkbox"/> <input type="checkbox"/> <input type="checkbox"/> <input type="checkbox"/> <input type="checkbox"/> <input type="checkbox"/>
005 - 33-40	<input type="checkbox"/> <input type="checkbox"/> <input type="checkbox"/> <input type="checkbox"/> <input type="checkbox"/> <input type="checkbox"/> <input type="checkbox"/> <input type="checkbox"/>	005 - 33-40	<input type="checkbox"/> <input type="checkbox"/> <input type="checkbox"/> <input type="checkbox"/> <input type="checkbox"/> <input type="checkbox"/> <input type="checkbox"/> <input type="checkbox"/>
006 - 41-48	<input type="checkbox"/> <input type="checkbox"/> <input type="checkbox"/> <input type="checkbox"/> <input type="checkbox"/> <input type="checkbox"/> <input type="checkbox"/> <input type="checkbox"/>	006 - 41-48	<input type="checkbox"/> <input type="checkbox"/> <input type="checkbox"/> <input type="checkbox"/> <input type="checkbox"/> <input type="checkbox"/> <input type="checkbox"/> <input type="checkbox"/>
007 - 49-56	<input type="checkbox"/> <input type="checkbox"/> <input type="checkbox"/> <input type="checkbox"/> <input type="checkbox"/> <input type="checkbox"/> <input type="checkbox"/> <input type="checkbox"/>	007 - 49-56	<input type="checkbox"/> <input type="checkbox"/> <input type="checkbox"/> <input type="checkbox"/> <input type="checkbox"/> <input type="checkbox"/> <input type="checkbox"/> <input type="checkbox"/>
008 - 57-64	<input type="checkbox"/> <input type="checkbox"/> <input type="checkbox"/> <input type="checkbox"/> <input type="checkbox"/> <input type="checkbox"/> <input type="checkbox"/> <input type="checkbox"/>	008 - 57-64	<input type="checkbox"/> <input type="checkbox"/> <input type="checkbox"/> <input type="checkbox"/> <input type="checkbox"/> <input type="checkbox"/> <input type="checkbox"/> <input type="checkbox"/>
009 - 65-72	<input type="checkbox"/> <input type="checkbox"/> <input type="checkbox"/> <input type="checkbox"/> <input type="checkbox"/> <input type="checkbox"/> <input type="checkbox"/> <input type="checkbox"/>	009 - 65-72	<input type="checkbox"/> <input type="checkbox"/> <input type="checkbox"/> <input type="checkbox"/> <input type="checkbox"/> <input type="checkbox"/> <input type="checkbox"/> <input type="checkbox"/>
010 - 73-80	<input type="checkbox"/> <input type="checkbox"/> <input type="checkbox"/> <input type="checkbox"/> <input type="checkbox"/> <input type="checkbox"/> <input type="checkbox"/> <input type="checkbox"/>	010 - 73-80	<input type="checkbox"/> <input type="checkbox"/> <input type="checkbox"/> <input type="checkbox"/> <input type="checkbox"/> <input type="checkbox"/> <input type="checkbox"/> <input type="checkbox"/>
011 - 81-88	<input type="checkbox"/> <input type="checkbox"/> <input type="checkbox"/> <input type="checkbox"/> <input type="checkbox"/> <input type="checkbox"/> <input type="checkbox"/> <input type="checkbox"/>	011 - 81-88	<input type="checkbox"/> <input type="checkbox"/> <input type="checkbox"/> <input type="checkbox"/> <input type="checkbox"/> <input type="checkbox"/> <input type="checkbox"/> <input type="checkbox"/>
012 - 89-96	<input type="checkbox"/> <input type="checkbox"/> <input type="checkbox"/> <input type="checkbox"/> <input type="checkbox"/> <input type="checkbox"/> <input type="checkbox"/> <input type="checkbox"/>	012 - 89-96	<input type="checkbox"/> <input type="checkbox"/> <input type="checkbox"/> <input type="checkbox"/> <input type="checkbox"/> <input type="checkbox"/> <input type="checkbox"/> <input type="checkbox"/>
013 - 97-104	<input type="checkbox"/> <input type="checkbox"/> <input type="checkbox"/> <input type="checkbox"/> <input type="checkbox"/> <input type="checkbox"/> <input type="checkbox"/> <input type="checkbox"/>	013 - 97-104	<input type="checkbox"/> <input type="checkbox"/> <input type="checkbox"/> <input type="checkbox"/> <input type="checkbox"/> <input type="checkbox"/> <input type="checkbox"/> <input type="checkbox"/>
014 - 105-112	<input type="checkbox"/> <input type="checkbox"/> <input type="checkbox"/> <input type="checkbox"/> <input type="checkbox"/> <input type="checkbox"/> <input type="checkbox"/> <input type="checkbox"/>	014 - 105-112	<input type="checkbox"/> <input type="checkbox"/> <input type="checkbox"/> <input type="checkbox"/> <input type="checkbox"/> <input type="checkbox"/> <input type="checkbox"/> <input type="checkbox"/>
015 - 113-120	<input type="checkbox"/> <input type="checkbox"/> <input type="checkbox"/> <input type="checkbox"/> <input type="checkbox"/> <input type="checkbox"/> <input type="checkbox"/> <input type="checkbox"/>	015 - 113-120	<input type="checkbox"/> <input type="checkbox"/> <input type="checkbox"/> <input type="checkbox"/> <input type="checkbox"/> <input type="checkbox"/> <input type="checkbox"/> <input type="checkbox"/>
016 - 121-128	<input type="checkbox"/> <input type="checkbox"/> <input type="checkbox"/> <input type="checkbox"/> <input type="checkbox"/> <input type="checkbox"/> <input type="checkbox"/> <input type="checkbox"/>	016 - 121-128	<input type="checkbox"/> <input type="checkbox"/> <input type="checkbox"/> <input type="checkbox"/> <input type="checkbox"/> <input type="checkbox"/> <input type="checkbox"/> <input type="checkbox"/>
017 - 129-136	<input type="checkbox"/> <input type="checkbox"/> <input type="checkbox"/> <input type="checkbox"/> <input type="checkbox"/> <input type="checkbox"/> <input type="checkbox"/> <input type="checkbox"/>	017 - 129-136	<input type="checkbox"/> <input type="checkbox"/> <input type="checkbox"/> <input type="checkbox"/> <input type="checkbox"/> <input type="checkbox"/> <input type="checkbox"/> <input type="checkbox"/>
018 - 137-144	<input type="checkbox"/> <input type="checkbox"/> <input type="checkbox"/> <input type="checkbox"/> <input type="checkbox"/> <input type="checkbox"/> <input type="checkbox"/> <input type="checkbox"/>	018 - 137-144	<input type="checkbox"/> <input type="checkbox"/> <input type="checkbox"/> <input type="checkbox"/> <input type="checkbox"/> <input type="checkbox"/> <input type="checkbox"/> <input type="checkbox"/>
019 - 145-152	<input type="checkbox"/> <input type="checkbox"/> <input type="checkbox"/> <input type="checkbox"/> <input type="checkbox"/> <input type="checkbox"/> <input type="checkbox"/> <input type="checkbox"/>	019 - 145-152	<input type="checkbox"/> <input type="checkbox"/> <input type="checkbox"/> <input type="checkbox"/> <input type="checkbox"/> <input type="checkbox"/> <input type="checkbox"/> <input type="checkbox"/>
020 - 153-160	<input type="checkbox"/> <input type="checkbox"/> <input type="checkbox"/> <input type="checkbox"/> <input type="checkbox"/> <input type="checkbox"/> <input type="checkbox"/> <input type="checkbox"/>	020 - 153-160	<input type="checkbox"/> <input type="checkbox"/> <input type="checkbox"/> <input type="checkbox"/> <input type="checkbox"/> <input type="checkbox"/> <input type="checkbox"/> <input type="checkbox"/>
021 - 161-168	<input type="checkbox"/> <input type="checkbox"/> <input type="checkbox"/> <input type="checkbox"/> <input type="checkbox"/> <input type="checkbox"/> <input type="checkbox"/> <input type="checkbox"/>	021 - 161-168	<input type="checkbox"/> <input type="checkbox"/> <input type="checkbox"/> <input type="checkbox"/> <input type="checkbox"/> <input type="checkbox"/> <input type="checkbox"/> <input type="checkbox"/>
022 - 169-176	<input type="checkbox"/> <input type="checkbox"/> <input type="checkbox"/> <input type="checkbox"/> <input type="checkbox"/> <input type="checkbox"/> <input type="checkbox"/> <input type="checkbox"/>	022 - 169-176	<input type="checkbox"/> <input type="checkbox"/> <input type="checkbox"/> <input type="checkbox"/> <input type="checkbox"/> <input type="checkbox"/> <input type="checkbox"/> <input type="checkbox"/>
023 - 177-184	<input type="checkbox"/> <input type="checkbox"/> <input type="checkbox"/> <input type="checkbox"/> <input type="checkbox"/> <input type="checkbox"/> <input type="checkbox"/> <input type="checkbox"/>	023 - 177-184	<input type="checkbox"/> <input type="checkbox"/> <input type="checkbox"/> <input type="checkbox"/> <input type="checkbox"/> <input type="checkbox"/> <input type="checkbox"/> <input type="checkbox"/>
024 - 185-192	<input type="checkbox"/> <input type="checkbox"/> <input type="checkbox"/> <input type="checkbox"/> <input type="checkbox"/> <input type="checkbox"/> <input type="checkbox"/> <input type="checkbox"/>	024 - 185-192	<input type="checkbox"/> <input type="checkbox"/> <input type="checkbox"/> <input type="checkbox"/> <input type="checkbox"/> <input type="checkbox"/> <input type="checkbox"/> <input type="checkbox"/>
025 - 193-200	<input type="checkbox"/> <input type="checkbox"/> <input type="checkbox"/> <input type="checkbox"/> <input type="checkbox"/> <input type="checkbox"/> <input type="checkbox"/> <input type="checkbox"/>	025 - 193-200	<input type="checkbox"/> <input type="checkbox"/> <input type="checkbox"/> <input type="checkbox"/> <input type="checkbox"/> <input type="checkbox"/> <input type="checkbox"/> <input type="checkbox"/>
026 - 201-208	<input type="checkbox"/> <input type="checkbox"/> <input type="checkbox"/> <input type="checkbox"/> <input type="checkbox"/> <input type="checkbox"/> <input type="checkbox"/> <input type="checkbox"/>	026 - 201-208	<input type="checkbox"/> <input type="checkbox"/> <input type="checkbox"/> <input type="checkbox"/> <input type="checkbox"/> <input type="checkbox"/> <input type="checkbox"/> <input type="checkbox"/>
027 - 209-216	<input type="checkbox"/> <input type="checkbox"/> <input type="checkbox"/> <input type="checkbox"/> <input type="checkbox"/> <input type="checkbox"/> <input type="checkbox"/> <input type="checkbox"/>	027 - 209-216	<input type="checkbox"/> <input type="checkbox"/> <input type="checkbox"/> <input type="checkbox"/> <input type="checkbox"/> <input type="checkbox"/> <input type="checkbox"/> <input type="checkbox"/>
028 - 217-224	<input type="checkbox"/> <input type="checkbox"/> <input type="checkbox"/> <input type="checkbox"/> <input type="checkbox"/> <input type="checkbox"/> <input type="checkbox"/> <input type="checkbox"/>	028 - 217-224	<input type="checkbox"/> <input type="checkbox"/> <input type="checkbox"/> <input type="checkbox"/> <input type="checkbox"/> <input type="checkbox"/> <input type="checkbox"/> <input type="checkbox"/>
029 - 225-232	<input type="checkbox"/> <input type="checkbox"/> <input type="checkbox"/> <input type="checkbox"/> <input type="checkbox"/> <input type="checkbox"/> <input type="checkbox"/> <input type="checkbox"/>	029 - 225-232	<input type="checkbox"/> <input type="checkbox"/> <input type="checkbox"/> <input type="checkbox"/> <input type="checkbox"/> <input type="checkbox"/> <input type="checkbox"/> <input type="checkbox"/>
030 - 233-240	<input type="checkbox"/> <input type="checkbox"/> <input type="checkbox"/> <input type="checkbox"/> <input type="checkbox"/> <input type="checkbox"/> <input type="checkbox"/> <input type="checkbox"/>	030 - 233-240	<input type="checkbox"/> <input type="checkbox"/> <input type="checkbox"/> <input type="checkbox"/> <input type="checkbox"/> <input type="checkbox"/> <input type="checkbox"/> <input type="checkbox"/>
031 - 241-248	<input type="checkbox"/> <input type="checkbox"/> <input type="checkbox"/> <input type="checkbox"/> <input type="checkbox"/> <input type="checkbox"/> <input type="checkbox"/> <input type="checkbox"/>	031 - 241-248	<input type="checkbox"/> <input type="checkbox"/> <input type="checkbox"/> <input type="checkbox"/> <input type="checkbox"/> <input type="checkbox"/> <input type="checkbox"/> <input type="checkbox"/>
[227] Partition 27 Zone Assignment		[228] Partition 28 Zone Assignment	
	Bit		Bit
	1 2 3 4 5 6 7 8		1 2 3 4 5 6 7 8
001 - 01-08	<input type="checkbox"/> <input type="checkbox"/> <input type="checkbox"/> <input type="checkbox"/> <input type="checkbox"/> <input type="checkbox"/> <input type="checkbox"/> <input type="checkbox"/>	001 - 01-08	<input type="checkbox"/> <input type="checkbox"/> <input type="checkbox"/> <input type="checkbox"/> <input type="checkbox"/> <input type="checkbox"/> <input type="checkbox"/> <input type="checkbox"/>
002 - 09-16	<input type="checkbox"/> <input type="checkbox"/> <input type="checkbox"/> <input type="checkbox"/> <input type="checkbox"/> <input type="checkbox"/> <input type="checkbox"/> <input type="checkbox"/>	002 - 09-16	<input type="checkbox"/> <input type="checkbox"/> <input type="checkbox"/> <input type="checkbox"/> <input type="checkbox"/> <input type="checkbox"/> <input type="checkbox"/> <input type="checkbox"/>
003 - 17-24	<input type="checkbox"/> <input type="checkbox"/> <input type="checkbox"/> <input type="checkbox"/> <input type="checkbox"/> <input type="checkbox"/> <input type="checkbox"/> <input type="checkbox"/>	003 - 17-24	<input type="checkbox"/> <input type="checkbox"/> <input type="checkbox"/> <input type="checkbox"/> <input type="checkbox"/> <input type="checkbox"/> <input type="checkbox"/> <input type="checkbox"/>
004 - 25-32	<input type="checkbox"/> <input type="checkbox"/> <input type="checkbox"/> <input type="checkbox"/> <input type="checkbox"/> <input type="checkbox"/> <input type="checkbox"/> <input type="checkbox"/>	004 - 25-32	<input type="checkbox"/> <input type="checkbox"/> <input type="checkbox"/> <input type="checkbox"/> <input type="checkbox"/> <input type="checkbox"/> <input type="checkbox"/> <input type="checkbox"/>
005 - 33-40	<input type="checkbox"/> <input type="checkbox"/> <input type="checkbox"/> <input type="checkbox"/> <input type="checkbox"/> <input type="checkbox"/> <input type="checkbox"/> <input type="checkbox"/>	005 - 33-40	<input type="checkbox"/> <input type="checkbox"/> <input type="checkbox"/> <input type="checkbox"/> <input type="checkbox"/> <input type="checkbox"/> <input type="checkbox"/> <input type="checkbox"/>

[201]-[232] Partition Zone Assignment			
(Description on [201]-[232] Partition Zone Assignment)			
006 - 41-48	□ □ □ □ □ □ □ □	006 - 41-48	□ □ □ □ □ □ □ □
007 - 49-56	□ □ □ □ □ □ □ □	007 - 49-56	□ □ □ □ □ □ □ □
008 - 57-64	□ □ □ □ □ □ □ □	008 - 57-64	□ □ □ □ □ □ □ □
009 - 65-72	□ □ □ □ □ □ □ □	009 - 65-72	□ □ □ □ □ □ □ □
010 - 73-80	□ □ □ □ □ □ □ □	010 - 73-80	□ □ □ □ □ □ □ □
011 - 81-88	□ □ □ □ □ □ □ □	011 - 81-88	□ □ □ □ □ □ □ □
012 - 89-96	□ □ □ □ □ □ □ □	012 - 89-96	□ □ □ □ □ □ □ □
013 - 97-104	□ □ □ □ □ □ □ □	013 - 97-104	□ □ □ □ □ □ □ □
014 - 105-112	□ □ □ □ □ □ □ □	014 - 105-112	□ □ □ □ □ □ □ □
015 - 113-120	□ □ □ □ □ □ □ □	015 - 113-120	□ □ □ □ □ □ □ □
016 - 121-128	□ □ □ □ □ □ □ □	016 - 121-128	□ □ □ □ □ □ □ □
017 - 129-136	□ □ □ □ □ □ □ □	017 - 129-136	□ □ □ □ □ □ □ □
018 - 137-144	□ □ □ □ □ □ □ □	018 - 137-144	□ □ □ □ □ □ □ □
019 - 145-152	□ □ □ □ □ □ □ □	019 - 145-152	□ □ □ □ □ □ □ □
020 - 153-160	□ □ □ □ □ □ □ □	020 - 153-160	□ □ □ □ □ □ □ □
021 - 161-168	□ □ □ □ □ □ □ □	021 - 161-168	□ □ □ □ □ □ □ □
022 - 169-176	□ □ □ □ □ □ □ □	022 - 169-176	□ □ □ □ □ □ □ □
023 - 177-184	□ □ □ □ □ □ □ □	023 - 177-184	□ □ □ □ □ □ □ □
024 - 185-192	□ □ □ □ □ □ □ □	024 - 185-192	□ □ □ □ □ □ □ □
025 - 193-200	□ □ □ □ □ □ □ □	025 - 193-200	□ □ □ □ □ □ □ □
026 - 201-208	□ □ □ □ □ □ □ □	026 - 201-208	□ □ □ □ □ □ □ □
027 - 209-216	□ □ □ □ □ □ □ □	027 - 209-216	□ □ □ □ □ □ □ □
028 - 217-224	□ □ □ □ □ □ □ □	028 - 217-224	□ □ □ □ □ □ □ □
029 - 225-232	□ □ □ □ □ □ □ □	029 - 225-232	□ □ □ □ □ □ □ □
030 - 233-240	□ □ □ □ □ □ □ □	030 - 233-240	□ □ □ □ □ □ □ □
031 - 241-248	□ □ □ □ □ □ □ □	031 - 241-248	□ □ □ □ □ □ □ □
[229] Partition 29 Zone Assignment		[230] Partition 30 Zone Assignment	
	Bit		Bit
	1 2 3 4 5 6 7 8		1 2 3 4 5 6 7 8
001 - 01-08	□ □ □ □ □ □ □ □	001 - 01-08	□ □ □ □ □ □ □ □
002 - 09-16	□ □ □ □ □ □ □ □	002 - 09-16	□ □ □ □ □ □ □ □
003 - 17-24	□ □ □ □ □ □ □ □	003 - 17-24	□ □ □ □ □ □ □ □
004 - 25-32	□ □ □ □ □ □ □ □	004 - 25-32	□ □ □ □ □ □ □ □
005 - 33-40	□ □ □ □ □ □ □ □	005 - 33-40	□ □ □ □ □ □ □ □
006 - 41-48	□ □ □ □ □ □ □ □	006 - 41-48	□ □ □ □ □ □ □ □
007 - 49-56	□ □ □ □ □ □ □ □	007 - 49-56	□ □ □ □ □ □ □ □
008 - 57-64	□ □ □ □ □ □ □ □	008 - 57-64	□ □ □ □ □ □ □ □
009 - 65-72	□ □ □ □ □ □ □ □	009 - 65-72	□ □ □ □ □ □ □ □

[201]-[232] Partition Zone Assignment			
(Description on [201]-[232] Partition Zone Assignment)			
010 - 73-80	□□□□□□□□	010 - 73-80	□□□□□□□□
011 - 81-88	□□□□□□□□	011 - 81-88	□□□□□□□□
012 - 89-96	□□□□□□□□	012 - 89-96	□□□□□□□□
013 - 97-104	□□□□□□□□	013 - 97-104	□□□□□□□□
014 - 105-112	□□□□□□□□	014 - 105-112	□□□□□□□□
015 - 113-120	□□□□□□□□	015 - 113-120	□□□□□□□□
016 - 121-128	□□□□□□□□	016 - 121-128	□□□□□□□□
017 - 129-136	□□□□□□□□	017 - 129-136	□□□□□□□□
018 - 137-144	□□□□□□□□	018 - 137-144	□□□□□□□□
019 - 145-152	□□□□□□□□	019 - 145-152	□□□□□□□□
020 - 153-160	□□□□□□□□	020 - 153-160	□□□□□□□□
021 - 161-168	□□□□□□□□	021 - 161-168	□□□□□□□□
022 - 169-176	□□□□□□□□	022 - 169-176	□□□□□□□□
023 - 177-184	□□□□□□□□	023 - 177-184	□□□□□□□□
024 - 185-192	□□□□□□□□	024 - 185-192	□□□□□□□□
025 - 193-200	□□□□□□□□	025 - 193-200	□□□□□□□□
026 - 201-208	□□□□□□□□	026 - 201-208	□□□□□□□□
027 - 209-216	□□□□□□□□	027 - 209-216	□□□□□□□□
028 - 217-224	□□□□□□□□	028 - 217-224	□□□□□□□□
029 - 225-232	□□□□□□□□	029 - 225-232	□□□□□□□□
030 - 233-240	□□□□□□□□	030 - 233-240	□□□□□□□□
031 - 241-248	□□□□□□□□	031 - 241-248	□□□□□□□□
[231] Partition 31 Zone Assignment		[232] Partition 32 Zone Assignment	
	Bit		Bit
	1 2 3 4 5 6 7 8		1 2 3 4 5 6 7 8
001 - 01-08	□□□□□□□□	001 - 01-08	□□□□□□□□
002 - 09-16	□□□□□□□□	002 - 09-16	□□□□□□□□
003 - 17-24	□□□□□□□□	003 - 17-24	□□□□□□□□
004 - 25-32	□□□□□□□□	004 - 25-32	□□□□□□□□
005 - 33-40	□□□□□□□□	005 - 33-40	□□□□□□□□
006 - 41-48	□□□□□□□□	006 - 41-48	□□□□□□□□
007 - 49-56	□□□□□□□□	007 - 49-56	□□□□□□□□
008 - 57-64	□□□□□□□□	008 - 57-64	□□□□□□□□
009 - 65-72	□□□□□□□□	009 - 65-72	□□□□□□□□
010 - 73-80	□□□□□□□□	010 - 73-80	□□□□□□□□
011 - 81-88	□□□□□□□□	011 - 81-88	□□□□□□□□
012 - 89-96	□□□□□□□□	012 - 89-96	□□□□□□□□
013 - 97-104	□□□□□□□□	013 - 97-104	□□□□□□□□

[201]-[232] Partition Zone Assignment			
(Description on [201]-[232] Partition Zone Assignment)			
014 - 105-112	<input type="checkbox"/>	<input type="checkbox"/>	014 - 105-112
015 - 113-120	<input type="checkbox"/>	<input type="checkbox"/>	015 - 113-120
016 - 121-128	<input type="checkbox"/>	<input type="checkbox"/>	016 - 121-128
017 - 129-136	<input type="checkbox"/>	<input type="checkbox"/>	017 - 129-136
018 - 137-144	<input type="checkbox"/>	<input type="checkbox"/>	018 - 137-144
019 - 145-152	<input type="checkbox"/>	<input type="checkbox"/>	019 - 145-152
020 - 153-160	<input type="checkbox"/>	<input type="checkbox"/>	020 - 153-160
021 - 161-168	<input type="checkbox"/>	<input type="checkbox"/>	021 - 161-168
022 - 169-176	<input type="checkbox"/>	<input type="checkbox"/>	022 - 169-176
023 - 177-184	<input type="checkbox"/>	<input type="checkbox"/>	023 - 177-184
024 - 185-192	<input type="checkbox"/>	<input type="checkbox"/>	024 - 185-192
025 - 193-200	<input type="checkbox"/>	<input type="checkbox"/>	025 - 193-200
026 - 201-208	<input type="checkbox"/>	<input type="checkbox"/>	026 - 201-208
027 - 209-216	<input type="checkbox"/>	<input type="checkbox"/>	027 - 209-216
028 - 217-224	<input type="checkbox"/>	<input type="checkbox"/>	028 - 217-224
029 - 225-232	<input type="checkbox"/>	<input type="checkbox"/>	029 - 225-232
030 - 233-240	<input type="checkbox"/>	<input type="checkbox"/>	030 - 233-240
031 - 241-248	<input type="checkbox"/>	<input type="checkbox"/>	031 - 241-248

Communications

[300] Panel/Receiver Communications Path	
Description on [300] Panel/Receiver Communication Paths	
001 - Receiver 1:	<input checked="" type="checkbox"/> PSTN-Phone Line
	<input type="checkbox"/> Alt Comm Auto Routing
	<input type="checkbox"/> Alt Comm Receiver 1 - Ethernet
	<input type="checkbox"/> Alt Comm Receiver 2 - Ethernet
	<input type="checkbox"/> Alt Comm Receiver 3 - Cellular
	<input type="checkbox"/> Alt Comm Receiver 4 - Cellular
002 - Receiver 2:	<input checked="" type="checkbox"/> PSTN-Phone Line
	<input type="checkbox"/> Alt Comm Auto Routing
	<input type="checkbox"/> Alt Comm Receiver 1 - Ethernet
	<input type="checkbox"/> Alt Comm Receiver 2 - Ethernet
	<input type="checkbox"/> Alt Comm Receiver 3 - Cellular
	<input type="checkbox"/> Alt Comm Receiver 4 - Cellular

[300] Panel/Receiver Communications Path	
Description on [300] Panel/Receiver Communication Paths	
003 – Receiver 3:	<input checked="" type="checkbox"/> PSTN-Phone Line <input type="checkbox"/> Alt Comm Auto Routing <input type="checkbox"/> Alt Comm Receiver 1 - Ethernet <input type="checkbox"/> Alt Comm Receiver 2 - Ethernet <input type="checkbox"/> Alt Comm Receiver 3 - Cellular <input type="checkbox"/> Alt Comm Receiver 4 - Cellular 2
004 – Receiver 4:	<input checked="" type="checkbox"/> PSTN-Phone Line <input type="checkbox"/> Alt Comm Auto Routing <input type="checkbox"/> Alt Comm Receiver 1 - Ethernet <input type="checkbox"/> Alt Comm Receiver 2 - Ethernet <input type="checkbox"/> Alt Comm Receiver 3 - Cellular <input type="checkbox"/> Alt Comm Receiver 4 - Cellular
[301] Phone Number Programming (Default: DFFFFFFFFFFFFFFFFFFFFFFFFFFFFFFF)	
(32-Digit HEX)	001 – Receiver 1 Phone Number Programming:
Description on [301] Phone Number Programming	002 – Receiver 2 Phone Number Programming:
	003 – Receiver 3 Phone Number Programming:
	004 – Receiver 4 Phone Number Programming:
[304] Call Waiting Cancel String (Description on [304] Call Waiting Cancel String)	
Call Waiting Cancel String (6-digit Hex; Default: DB70EF CP-01 Default: FFFFFF):	

[307] Zone Reporting Description on [307] Zone Reporting (001-248 = zones 1-248)
<input checked="" type="checkbox"/> 1 – Alarm <input checked="" type="checkbox"/> 2 – Alarm Restore <input checked="" type="checkbox"/> 3 – Tamper <input checked="" type="checkbox"/> 4 – Tamper Restore <input checked="" type="checkbox"/> 5 – Fault <input checked="" type="checkbox"/> 6 – Fault Restore

001	<input checked="" type="checkbox"/>	<input checked="" type="checkbox"/>	<input checked="" type="checkbox"/>	<input checked="" type="checkbox"/>	<input checked="" type="checkbox"/>	<input checked="" type="checkbox"/>	<input type="checkbox"/>	<input type="checkbox"/>	002	<input checked="" type="checkbox"/>	<input checked="" type="checkbox"/>	<input checked="" type="checkbox"/>	<input checked="" type="checkbox"/>	<input checked="" type="checkbox"/>	<input checked="" type="checkbox"/>	<input type="checkbox"/>	<input type="checkbox"/>	003	<input checked="" type="checkbox"/>	<input checked="" type="checkbox"/>	<input checked="" type="checkbox"/>	<input checked="" type="checkbox"/>	<input checked="" type="checkbox"/>	<input checked="" type="checkbox"/>	<input type="checkbox"/>	<input type="checkbox"/>	004	<input checked="" type="checkbox"/>	<input checked="" type="checkbox"/>	<input checked="" type="checkbox"/>	<input checked="" type="checkbox"/>	<input checked="" type="checkbox"/>	<input checked="" type="checkbox"/>	<input type="checkbox"/>	<input type="checkbox"/>
	1	2	3	4	5	6	7	8		1	2	3	4	5	6	7	8		1	2	3	4	5	6	7	8		1	2	3	4	5	6	7	8
005	<input checked="" type="checkbox"/>	<input checked="" type="checkbox"/>	<input checked="" type="checkbox"/>	<input checked="" type="checkbox"/>	<input checked="" type="checkbox"/>	<input checked="" type="checkbox"/>	<input type="checkbox"/>	<input type="checkbox"/>	006	<input checked="" type="checkbox"/>	<input checked="" type="checkbox"/>	<input checked="" type="checkbox"/>	<input checked="" type="checkbox"/>	<input checked="" type="checkbox"/>	<input checked="" type="checkbox"/>	<input type="checkbox"/>	<input type="checkbox"/>	007	<input checked="" type="checkbox"/>	<input checked="" type="checkbox"/>	<input checked="" type="checkbox"/>	<input checked="" type="checkbox"/>	<input checked="" type="checkbox"/>	<input checked="" type="checkbox"/>	<input type="checkbox"/>	<input type="checkbox"/>	008	<input checked="" type="checkbox"/>	<input checked="" type="checkbox"/>	<input checked="" type="checkbox"/>	<input checked="" type="checkbox"/>	<input checked="" type="checkbox"/>	<input checked="" type="checkbox"/>	<input type="checkbox"/>	<input type="checkbox"/>
	1	2	3	4	5	6	7	8		1	2	3	4	5	6	7	8		1	2	3	4	5	6	7	8		1	2	3	4	5	6	7	8
009	<input checked="" type="checkbox"/>	<input checked="" type="checkbox"/>	<input checked="" type="checkbox"/>	<input checked="" type="checkbox"/>	<input checked="" type="checkbox"/>	<input checked="" type="checkbox"/>	<input type="checkbox"/>	<input type="checkbox"/>	010	<input checked="" type="checkbox"/>	<input checked="" type="checkbox"/>	<input checked="" type="checkbox"/>	<input checked="" type="checkbox"/>	<input checked="" type="checkbox"/>	<input checked="" type="checkbox"/>	<input type="checkbox"/>	<input type="checkbox"/>	011	<input checked="" type="checkbox"/>	<input checked="" type="checkbox"/>	<input checked="" type="checkbox"/>	<input checked="" type="checkbox"/>	<input checked="" type="checkbox"/>	<input checked="" type="checkbox"/>	<input type="checkbox"/>	<input type="checkbox"/>	012	<input checked="" type="checkbox"/>	<input checked="" type="checkbox"/>	<input checked="" type="checkbox"/>	<input checked="" type="checkbox"/>	<input checked="" type="checkbox"/>	<input checked="" type="checkbox"/>	<input type="checkbox"/>	<input type="checkbox"/>
	1	2	3	4	5	6	7	8		1	2	3	4	5	6	7	8		1	2	3	4	5	6	7	8		1	2	3	4	5	6	7	8
013	<input checked="" type="checkbox"/>	<input checked="" type="checkbox"/>	<input checked="" type="checkbox"/>	<input checked="" type="checkbox"/>	<input checked="" type="checkbox"/>	<input checked="" type="checkbox"/>	<input type="checkbox"/>	<input type="checkbox"/>	014	<input checked="" type="checkbox"/>	<input checked="" type="checkbox"/>	<input checked="" type="checkbox"/>	<input checked="" type="checkbox"/>	<input checked="" type="checkbox"/>	<input checked="" type="checkbox"/>	<input type="checkbox"/>	<input type="checkbox"/>	015	<input checked="" type="checkbox"/>	<input checked="" type="checkbox"/>	<input checked="" type="checkbox"/>	<input checked="" type="checkbox"/>	<input checked="" type="checkbox"/>	<input checked="" type="checkbox"/>	<input type="checkbox"/>	<input type="checkbox"/>	016	<input checked="" type="checkbox"/>	<input checked="" type="checkbox"/>	<input checked="" type="checkbox"/>	<input checked="" type="checkbox"/>	<input checked="" type="checkbox"/>	<input checked="" type="checkbox"/>	<input type="checkbox"/>	<input type="checkbox"/>
	1	2	3	4	5	6	7	8		1	2	3	4	5	6	7	8		1	2	3	4	5	6	7	8		1	2	3	4	5	6	7	8
017	<input checked="" type="checkbox"/>	<input checked="" type="checkbox"/>	<input checked="" type="checkbox"/>	<input checked="" type="checkbox"/>	<input checked="" type="checkbox"/>	<input checked="" type="checkbox"/>	<input type="checkbox"/>	<input type="checkbox"/>	018	<input checked="" type="checkbox"/>	<input checked="" type="checkbox"/>	<input checked="" type="checkbox"/>	<input checked="" type="checkbox"/>	<input checked="" type="checkbox"/>	<input checked="" type="checkbox"/>	<input type="checkbox"/>	<input type="checkbox"/>	019	<input checked="" type="checkbox"/>	<input checked="" type="checkbox"/>	<input checked="" type="checkbox"/>	<input checked="" type="checkbox"/>	<input checked="" type="checkbox"/>	<input checked="" type="checkbox"/>	<input type="checkbox"/>	<input type="checkbox"/>	020	<input checked="" type="checkbox"/>	<input checked="" type="checkbox"/>	<input checked="" type="checkbox"/>	<input checked="" type="checkbox"/>	<input checked="" type="checkbox"/>	<input checked="" type="checkbox"/>	<input type="checkbox"/>	<input type="checkbox"/>
	1	2	3	4	5	6	7	8		1	2	3	4	5	6	7	8		1	2	3	4	5	6	7	8		1	2	3	4	5	6	7	8
021	<input checked="" type="checkbox"/>	<input checked="" type="checkbox"/>	<input checked="" type="checkbox"/>	<input checked="" type="checkbox"/>	<input checked="" type="checkbox"/>	<input checked="" type="checkbox"/>	<input type="checkbox"/>	<input type="checkbox"/>	022	<input checked="" type="checkbox"/>	<input checked="" type="checkbox"/>	<input checked="" type="checkbox"/>	<input checked="" type="checkbox"/>	<input checked="" type="checkbox"/>	<input checked="" type="checkbox"/>	<input type="checkbox"/>	<input type="checkbox"/>	023	<input checked="" type="checkbox"/>	<input checked="" type="checkbox"/>	<input checked="" type="checkbox"/>	<input checked="" type="checkbox"/>	<input checked="" type="checkbox"/>	<input checked="" type="checkbox"/>	<input type="checkbox"/>	<input type="checkbox"/>	024	<input checked="" type="checkbox"/>	<input checked="" type="checkbox"/>	<input checked="" type="checkbox"/>	<input checked="" type="checkbox"/>	<input checked="" type="checkbox"/>	<input checked="" type="checkbox"/>	<input type="checkbox"/>	<input type="checkbox"/>
	1	2	3	4	5	6	7	8		1	2	3	4	5	6	7	8		1	2	3	4	5	6	7	8		1	2	3	4	5	6	7	8
025	<input checked="" type="checkbox"/>	<input checked="" type="checkbox"/>	<input checked="" type="checkbox"/>	<input checked="" type="checkbox"/>	<input checked="" type="checkbox"/>	<input checked="" type="checkbox"/>	<input type="checkbox"/>	<input type="checkbox"/>	026	<input checked="" type="checkbox"/>	<input checked="" type="checkbox"/>	<input checked="" type="checkbox"/>	<input checked="" type="checkbox"/>	<input checked="" type="checkbox"/>	<input checked="" type="checkbox"/>	<input type="checkbox"/>	<input type="checkbox"/>	027	<input checked="" type="checkbox"/>	<input checked="" type="checkbox"/>	<input checked="" type="checkbox"/>	<input checked="" type="checkbox"/>	<input checked="" type="checkbox"/>	<input checked="" type="checkbox"/>	<input type="checkbox"/>	<input type="checkbox"/>	028	<input checked="" type="checkbox"/>	<input checked="" type="checkbox"/>	<input checked="" type="checkbox"/>	<input checked="" type="checkbox"/>	<input checked="" type="checkbox"/>	<input checked="" type="checkbox"/>	<input type="checkbox"/>	<input type="checkbox"/>
	1	2	3	4	5	6	7	8		1	2	3	4	5	6	7	8		1	2	3	4	5	6	7	8		1	2	3	4	5	6	7	8
029	<input checked="" type="checkbox"/>	<input checked="" type="checkbox"/>	<input checked="" type="checkbox"/>	<input checked="" type="checkbox"/>	<input checked="" type="checkbox"/>	<input checked="" type="checkbox"/>	<input type="checkbox"/>	<input type="checkbox"/>	030	<input checked="" type="checkbox"/>	<input checked="" type="checkbox"/>	<input checked="" type="checkbox"/>	<input checked="" type="checkbox"/>	<input checked="" type="checkbox"/>	<input checked="" type="checkbox"/>	<input type="checkbox"/>	<input type="checkbox"/>	031	<input checked="" type="checkbox"/>	<input checked="" type="checkbox"/>	<input checked="" type="checkbox"/>	<input checked="" type="checkbox"/>	<input checked="" type="checkbox"/>	<input checked="" type="checkbox"/>	<input type="checkbox"/>	<input type="checkbox"/>	032	<input checked="" type="checkbox"/>	<input checked="" type="checkbox"/>	<input checked="" type="checkbox"/>	<input checked="" type="checkbox"/>	<input checked="" type="checkbox"/>	<input checked="" type="checkbox"/>	<input type="checkbox"/>	<input type="checkbox"/>
	1	2	3	4	5	6	7	8		1	2	3	4	5	6	7	8		1	2	3	4	5	6	7	8		1	2	3	4	5	6	7	8
033	<input checked="" type="checkbox"/>	<input checked="" type="checkbox"/>	<input checked="" type="checkbox"/>	<input checked="" type="checkbox"/>	<input checked="" type="checkbox"/>	<input checked="" type="checkbox"/>	<input type="checkbox"/>	<input type="checkbox"/>	034	<input checked="" type="checkbox"/>	<input checked="" type="checkbox"/>	<input checked="" type="checkbox"/>	<input checked="" type="checkbox"/>	<input checked="" type="checkbox"/>	<input checked="" type="checkbox"/>	<input type="checkbox"/>	<input type="checkbox"/>	035	<input checked="" type="checkbox"/>	<input checked="" type="checkbox"/>	<input checked="" type="checkbox"/>	<input checked="" type="checkbox"/>	<input checked="" type="checkbox"/>	<input checked="" type="checkbox"/>	<input type="checkbox"/>	<input type="checkbox"/>	036	<input checked="" type="checkbox"/>	<input checked="" type="checkbox"/>	<input checked="" type="checkbox"/>	<input checked="" type="checkbox"/>	<input checked="" type="checkbox"/>	<input checked="" type="checkbox"/>	<input type="checkbox"/>	<input type="checkbox"/>
	1	2	3	4	5	6	7	8		1	2	3	4	5	6	7	8		1	2	3	4	5	6	7	8		1	2	3	4	5	6	7	8
037	<input checked="" type="checkbox"/>	<input checked="" type="checkbox"/>	<input checked="" type="checkbox"/>	<input checked="" type="checkbox"/>	<input checked="" type="checkbox"/>	<input checked="" type="checkbox"/>	<input type="checkbox"/>	<input type="checkbox"/>	038	<input checked="" type="checkbox"/>	<input checked="" type="checkbox"/>	<input checked="" type="checkbox"/>	<input checked="" type="checkbox"/>	<input checked="" type="checkbox"/>	<input checked="" type="checkbox"/>	<input type="checkbox"/>	<input type="checkbox"/>	039	<input checked="" type="checkbox"/>	<input checked="" type="checkbox"/>	<input checked="" type="checkbox"/>	<input checked="" type="checkbox"/>	<input checked="" type="checkbox"/>	<input checked="" type="checkbox"/>	<input type="checkbox"/>	<input type="checkbox"/>	040	<input checked="" type="checkbox"/>	<input checked="" type="checkbox"/>	<input checked="" type="checkbox"/>	<input checked="" type="checkbox"/>	<input checked="" type="checkbox"/>	<input checked="" type="checkbox"/>	<input type="checkbox"/>	<input type="checkbox"/>
	1	2	3	4	5	6	7	8		1	2	3	4	5	6	7	8		1	2	3	4	5	6	7	8		1	2	3	4	5	6	7	8
041	<input checked="" type="checkbox"/>	<input checked="" type="checkbox"/>	<input checked="" type="checkbox"/>	<input checked="" type="checkbox"/>	<input checked="" type="checkbox"/>	<input checked="" type="checkbox"/>	<input type="checkbox"/>	<input type="checkbox"/>	042	<input checked="" type="checkbox"/>	<input checked="" type="checkbox"/>	<input checked="" type="checkbox"/>	<input checked="" type="checkbox"/>	<input checked="" type="checkbox"/>	<input checked="" type="checkbox"/>	<input type="checkbox"/>	<input type="checkbox"/>	043	<input checked="" type="checkbox"/>	<input checked="" type="checkbox"/>	<input checked="" type="checkbox"/>	<input checked="" type="checkbox"/>	<input checked="" type="checkbox"/>	<input checked="" type="checkbox"/>	<input type="checkbox"/>	<input type="checkbox"/>	044	<input checked="" type="checkbox"/>	<input checked="" type="checkbox"/>	<input checked="" type="checkbox"/>	<input checked="" type="checkbox"/>	<input checked="" type="checkbox"/>	<input checked="" type="checkbox"/>	<input type="checkbox"/>	<input type="checkbox"/>
	1	2	3	4	5	6	7	8		1	2	3	4	5	6	7	8		1	2	3	4	5	6	7	8		1	2	3	4	5	6	7	8
045	<input checked="" type="checkbox"/>	<input checked="" type="checkbox"/>	<input checked="" type="checkbox"/>	<input checked="" type="checkbox"/>	<input checked="" type="checkbox"/>	<input checked="" type="checkbox"/>	<input type="checkbox"/>	<input type="checkbox"/>	046	<input checked="" type="checkbox"/>	<input checked="" type="checkbox"/>	<input checked="" type="checkbox"/>	<input checked="" type="checkbox"/>	<input checked="" type="checkbox"/>	<input checked="" type="checkbox"/>	<input type="checkbox"/>	<input type="checkbox"/>	047	<input checked="" type="checkbox"/>	<input checked="" type="checkbox"/>	<input checked="" type="checkbox"/>	<input checked="" type="checkbox"/>	<input checked="" type="checkbox"/>	<input checked="" type="checkbox"/>	<input type="checkbox"/>	<input type="checkbox"/>	048	<input checked="" type="checkbox"/>	<input checked="" type="checkbox"/>	<input checked="" type="checkbox"/>	<input checked="" type="checkbox"/>	<input checked="" type="checkbox"/>	<input checked="" type="checkbox"/>	<input type="checkbox"/>	<input type="checkbox"/>
	1	2	3	4	5	6	7	8		1	2	3	4	5	6	7	8		1	2	3	4	5	6	7	8		1	2	3	4	5	6	7	8
049	<input checked="" type="checkbox"/>	<input checked="" type="checkbox"/>	<input checked="" type="checkbox"/>	<input checked="" type="checkbox"/>	<input checked="" type="checkbox"/>	<input checked="" type="checkbox"/>	<input type="checkbox"/>	<input type="checkbox"/>	050	<input checked="" type="checkbox"/>	<input checked="" type="checkbox"/>	<input checked="" type="checkbox"/>	<input checked="" type="checkbox"/>	<input checked="" type="checkbox"/>	<input checked="" type="checkbox"/>	<input type="checkbox"/>	<input type="checkbox"/>	051	<input checked="" type="checkbox"/>	<input checked="" type="checkbox"/>	<input checked="" type="checkbox"/>	<input checked="" type="checkbox"/>	<input checked="" type="checkbox"/>	<input checked="" type="checkbox"/>	<input type="checkbox"/>	<input type="checkbox"/>	052	<input checked="" type="checkbox"/>	<input checked="" type="checkbox"/>	<input checked="" type="checkbox"/>	<input checked="" type="checkbox"/>	<input checked="" type="checkbox"/>	<input checked="" type="checkbox"/>	<input type="checkbox"/>	<input type="checkbox"/>
	1	2	3	4	5	6	7	8		1	2	3	4	5	6	7	8		1	2	3	4	5	6	7	8		1	2	3	4	5	6	7	8
053	<input checked="" type="checkbox"/>	<input checked="" type="checkbox"/>	<input checked="" type="checkbox"/>	<input checked="" type="checkbox"/>	<input checked="" type="checkbox"/>	<input checked="" type="checkbox"/>	<input type="checkbox"/>	<input type="checkbox"/>	054	<input checked="" type="checkbox"/>	<input checked="" type="checkbox"/>	<input checked="" type="checkbox"/>	<input checked="" type="checkbox"/>	<input checked="" type="checkbox"/>	<input checked="" type="checkbox"/>	<input type="checkbox"/>	<input type="checkbox"/>	055	<input checked="" type="checkbox"/>	<input checked="" type="checkbox"/>	<input checked="" type="checkbox"/>	<input checked="" type="checkbox"/>	<input checked="" type="checkbox"/>	<input checked="" type="checkbox"/>	<input type="checkbox"/>	<input type="checkbox"/>	056	<input checked="" type="checkbox"/>	<input checked="" type="checkbox"/>	<input checked="" type="checkbox"/>	<input checked="" type="checkbox"/>	<input checked="" type="checkbox"/>	<input checked="" type="checkbox"/>	<input type="checkbox"/>	<input type="checkbox"/>
	1	2	3	4	5	6	7	8		1	2	3	4	5	6	7	8		1	2	3	4	5	6	7	8		1	2	3	4	5	6	7	8

057	<input checked="" type="checkbox"/>	<input checked="" type="checkbox"/>	<input checked="" type="checkbox"/>	<input checked="" type="checkbox"/>	<input checked="" type="checkbox"/>	<input checked="" type="checkbox"/>	<input type="checkbox"/>	<input type="checkbox"/>	058	<input checked="" type="checkbox"/>	<input checked="" type="checkbox"/>	<input checked="" type="checkbox"/>	<input checked="" type="checkbox"/>	<input checked="" type="checkbox"/>	<input checked="" type="checkbox"/>	<input type="checkbox"/>	<input type="checkbox"/>	059	<input checked="" type="checkbox"/>	<input checked="" type="checkbox"/>	<input checked="" type="checkbox"/>	<input checked="" type="checkbox"/>	<input checked="" type="checkbox"/>	<input checked="" type="checkbox"/>	<input type="checkbox"/>	<input type="checkbox"/>	060	<input checked="" type="checkbox"/>	<input checked="" type="checkbox"/>	<input checked="" type="checkbox"/>	<input checked="" type="checkbox"/>	<input checked="" type="checkbox"/>	<input checked="" type="checkbox"/>	<input type="checkbox"/>	<input type="checkbox"/>
	1	2	3	4	5	6	7	8		1	2	3	4	5	6	7	8		1	2	3	4	5	6	7	8		1	2	3	4	5	6	7	8
061	<input checked="" type="checkbox"/>	<input checked="" type="checkbox"/>	<input checked="" type="checkbox"/>	<input checked="" type="checkbox"/>	<input checked="" type="checkbox"/>	<input checked="" type="checkbox"/>	<input type="checkbox"/>	<input type="checkbox"/>	062	<input checked="" type="checkbox"/>	<input checked="" type="checkbox"/>	<input checked="" type="checkbox"/>	<input checked="" type="checkbox"/>	<input checked="" type="checkbox"/>	<input checked="" type="checkbox"/>	<input type="checkbox"/>	<input type="checkbox"/>	063	<input checked="" type="checkbox"/>	<input checked="" type="checkbox"/>	<input checked="" type="checkbox"/>	<input checked="" type="checkbox"/>	<input checked="" type="checkbox"/>	<input checked="" type="checkbox"/>	<input type="checkbox"/>	<input type="checkbox"/>	064	<input checked="" type="checkbox"/>	<input checked="" type="checkbox"/>	<input checked="" type="checkbox"/>	<input checked="" type="checkbox"/>	<input checked="" type="checkbox"/>	<input checked="" type="checkbox"/>	<input type="checkbox"/>	<input type="checkbox"/>
	1	2	3	4	5	6	7	8		1	2	3	4	5	6	7	8		1	2	3	4	5	6	7	8		1	2	3	4	5	6	7	8
065	<input checked="" type="checkbox"/>	<input checked="" type="checkbox"/>	<input checked="" type="checkbox"/>	<input checked="" type="checkbox"/>	<input checked="" type="checkbox"/>	<input checked="" type="checkbox"/>	<input type="checkbox"/>	<input type="checkbox"/>	066	<input checked="" type="checkbox"/>	<input checked="" type="checkbox"/>	<input checked="" type="checkbox"/>	<input checked="" type="checkbox"/>	<input checked="" type="checkbox"/>	<input checked="" type="checkbox"/>	<input type="checkbox"/>	<input type="checkbox"/>	067	<input checked="" type="checkbox"/>	<input checked="" type="checkbox"/>	<input checked="" type="checkbox"/>	<input checked="" type="checkbox"/>	<input checked="" type="checkbox"/>	<input checked="" type="checkbox"/>	<input type="checkbox"/>	<input type="checkbox"/>	068	<input checked="" type="checkbox"/>	<input checked="" type="checkbox"/>	<input checked="" type="checkbox"/>	<input checked="" type="checkbox"/>	<input checked="" type="checkbox"/>	<input checked="" type="checkbox"/>	<input type="checkbox"/>	<input type="checkbox"/>
	1	2	3	4	5	6	7	8		1	2	3	4	5	6	7	8		1	2	3	4	5	6	7	8		1	2	3	4	5	6	7	8
069	<input checked="" type="checkbox"/>	<input checked="" type="checkbox"/>	<input checked="" type="checkbox"/>	<input checked="" type="checkbox"/>	<input checked="" type="checkbox"/>	<input checked="" type="checkbox"/>	<input type="checkbox"/>	<input type="checkbox"/>	070	<input checked="" type="checkbox"/>	<input checked="" type="checkbox"/>	<input checked="" type="checkbox"/>	<input checked="" type="checkbox"/>	<input checked="" type="checkbox"/>	<input checked="" type="checkbox"/>	<input type="checkbox"/>	<input type="checkbox"/>	071	<input checked="" type="checkbox"/>	<input checked="" type="checkbox"/>	<input checked="" type="checkbox"/>	<input checked="" type="checkbox"/>	<input checked="" type="checkbox"/>	<input checked="" type="checkbox"/>	<input type="checkbox"/>	<input type="checkbox"/>	072	<input checked="" type="checkbox"/>	<input checked="" type="checkbox"/>	<input checked="" type="checkbox"/>	<input checked="" type="checkbox"/>	<input checked="" type="checkbox"/>	<input checked="" type="checkbox"/>	<input type="checkbox"/>	<input type="checkbox"/>
	1	2	3	4	5	6	7	8		1	2	3	4	5	6	7	8		1	2	3	4	5	6	7	8		1	2	3	4	5	6	7	8
073	<input checked="" type="checkbox"/>	<input checked="" type="checkbox"/>	<input checked="" type="checkbox"/>	<input checked="" type="checkbox"/>	<input checked="" type="checkbox"/>	<input checked="" type="checkbox"/>	<input type="checkbox"/>	<input type="checkbox"/>	074	<input checked="" type="checkbox"/>	<input checked="" type="checkbox"/>	<input checked="" type="checkbox"/>	<input checked="" type="checkbox"/>	<input checked="" type="checkbox"/>	<input checked="" type="checkbox"/>	<input type="checkbox"/>	<input type="checkbox"/>	075	<input checked="" type="checkbox"/>	<input checked="" type="checkbox"/>	<input checked="" type="checkbox"/>	<input checked="" type="checkbox"/>	<input checked="" type="checkbox"/>	<input checked="" type="checkbox"/>	<input type="checkbox"/>	<input type="checkbox"/>	076	<input checked="" type="checkbox"/>	<input checked="" type="checkbox"/>	<input checked="" type="checkbox"/>	<input checked="" type="checkbox"/>	<input checked="" type="checkbox"/>	<input checked="" type="checkbox"/>	<input type="checkbox"/>	<input type="checkbox"/>
	1	2	3	4	5	6	7	8		1	2	3	4	5	6	7	8		1	2	3	4	5	6	7	8		1	2	3	4	5	6	7	8
077	<input checked="" type="checkbox"/>	<input checked="" type="checkbox"/>	<input checked="" type="checkbox"/>	<input checked="" type="checkbox"/>	<input checked="" type="checkbox"/>	<input checked="" type="checkbox"/>	<input type="checkbox"/>	<input type="checkbox"/>	078	<input checked="" type="checkbox"/>	<input checked="" type="checkbox"/>	<input checked="" type="checkbox"/>	<input checked="" type="checkbox"/>	<input checked="" type="checkbox"/>	<input checked="" type="checkbox"/>	<input type="checkbox"/>	<input type="checkbox"/>	079	<input checked="" type="checkbox"/>	<input checked="" type="checkbox"/>	<input checked="" type="checkbox"/>	<input checked="" type="checkbox"/>	<input checked="" type="checkbox"/>	<input checked="" type="checkbox"/>	<input type="checkbox"/>	<input type="checkbox"/>	080	<input checked="" type="checkbox"/>	<input checked="" type="checkbox"/>	<input checked="" type="checkbox"/>	<input checked="" type="checkbox"/>	<input checked="" type="checkbox"/>	<input checked="" type="checkbox"/>	<input type="checkbox"/>	<input type="checkbox"/>
	1	2	3	4	5	6	7	8		1	2	3	4	5	6	7	8		1	2	3	4	5	6	7	8		1	2	3	4	5	6	7	8
081	<input checked="" type="checkbox"/>	<input checked="" type="checkbox"/>	<input checked="" type="checkbox"/>	<input checked="" type="checkbox"/>	<input checked="" type="checkbox"/>	<input checked="" type="checkbox"/>	<input type="checkbox"/>	<input type="checkbox"/>	082	<input checked="" type="checkbox"/>	<input checked="" type="checkbox"/>	<input checked="" type="checkbox"/>	<input checked="" type="checkbox"/>	<input checked="" type="checkbox"/>	<input checked="" type="checkbox"/>	<input type="checkbox"/>	<input type="checkbox"/>	083	<input checked="" type="checkbox"/>	<input checked="" type="checkbox"/>	<input checked="" type="checkbox"/>	<input checked="" type="checkbox"/>	<input checked="" type="checkbox"/>	<input checked="" type="checkbox"/>	<input type="checkbox"/>	<input type="checkbox"/>	084	<input checked="" type="checkbox"/>	<input checked="" type="checkbox"/>	<input checked="" type="checkbox"/>	<input checked="" type="checkbox"/>	<input checked="" type="checkbox"/>	<input checked="" type="checkbox"/>	<input type="checkbox"/>	<input type="checkbox"/>
	1	2	3	4	5	6	7	8		1	2	3	4	5	6	7	8		1	2	3	4	5	6	7	8		1	2	3	4	5	6	7	8
085	<input checked="" type="checkbox"/>	<input checked="" type="checkbox"/>	<input checked="" type="checkbox"/>	<input checked="" type="checkbox"/>	<input checked="" type="checkbox"/>	<input checked="" type="checkbox"/>	<input type="checkbox"/>	<input type="checkbox"/>	086	<input checked="" type="checkbox"/>	<input checked="" type="checkbox"/>	<input checked="" type="checkbox"/>	<input checked="" type="checkbox"/>	<input checked="" type="checkbox"/>	<input checked="" type="checkbox"/>	<input type="checkbox"/>	<input type="checkbox"/>	087	<input checked="" type="checkbox"/>	<input checked="" type="checkbox"/>	<input checked="" type="checkbox"/>	<input checked="" type="checkbox"/>	<input checked="" type="checkbox"/>	<input checked="" type="checkbox"/>	<input type="checkbox"/>	<input type="checkbox"/>	088	<input checked="" type="checkbox"/>	<input checked="" type="checkbox"/>	<input checked="" type="checkbox"/>	<input checked="" type="checkbox"/>	<input checked="" type="checkbox"/>	<input checked="" type="checkbox"/>	<input type="checkbox"/>	<input type="checkbox"/>
	1	2	3	4	5	6	7	8		1	2	3	4	5	6	7	8		1	2	3	4	5	6	7	8		1	2	3	4	5	6	7	8
089	<input checked="" type="checkbox"/>	<input checked="" type="checkbox"/>	<input checked="" type="checkbox"/>	<input checked="" type="checkbox"/>	<input checked="" type="checkbox"/>	<input checked="" type="checkbox"/>	<input type="checkbox"/>	<input type="checkbox"/>	090	<input checked="" type="checkbox"/>	<input checked="" type="checkbox"/>	<input checked="" type="checkbox"/>	<input checked="" type="checkbox"/>	<input checked="" type="checkbox"/>	<input checked="" type="checkbox"/>	<input type="checkbox"/>	<input type="checkbox"/>	091	<input checked="" type="checkbox"/>	<input checked="" type="checkbox"/>	<input checked="" type="checkbox"/>	<input checked="" type="checkbox"/>	<input checked="" type="checkbox"/>	<input checked="" type="checkbox"/>	<input type="checkbox"/>	<input type="checkbox"/>	092	<input checked="" type="checkbox"/>	<input checked="" type="checkbox"/>	<input checked="" type="checkbox"/>	<input checked="" type="checkbox"/>	<input checked="" type="checkbox"/>	<input checked="" type="checkbox"/>	<input type="checkbox"/>	<input type="checkbox"/>
	1	2	3	4	5	6	7	8		1	2	3	4	5	6	7	8		1	2	3	4	5	6	7	8		1	2	3	4	5	6	7	8
093	<input checked="" type="checkbox"/>	<input checked="" type="checkbox"/>	<input checked="" type="checkbox"/>	<input checked="" type="checkbox"/>	<input checked="" type="checkbox"/>	<input checked="" type="checkbox"/>	<input type="checkbox"/>	<input type="checkbox"/>	094	<input checked="" type="checkbox"/>	<input checked="" type="checkbox"/>	<input checked="" type="checkbox"/>	<input checked="" type="checkbox"/>	<input checked="" type="checkbox"/>	<input checked="" type="checkbox"/>	<input type="checkbox"/>	<input type="checkbox"/>	095	<input checked="" type="checkbox"/>	<input checked="" type="checkbox"/>	<input checked="" type="checkbox"/>	<input checked="" type="checkbox"/>	<input checked="" type="checkbox"/>	<input checked="" type="checkbox"/>	<input type="checkbox"/>	<input type="checkbox"/>	096	<input checked="" type="checkbox"/>	<input checked="" type="checkbox"/>	<input checked="" type="checkbox"/>	<input checked="" type="checkbox"/>	<input checked="" type="checkbox"/>	<input checked="" type="checkbox"/>	<input type="checkbox"/>	<input type="checkbox"/>
	1	2	3	4	5	6	7	8		1	2	3	4	5	6	7	8		1	2	3	4	5	6	7	8		1	2	3	4	5	6	7	8
097	<input checked="" type="checkbox"/>	<input checked="" type="checkbox"/>	<input checked="" type="checkbox"/>	<input checked="" type="checkbox"/>	<input checked="" type="checkbox"/>	<input checked="" type="checkbox"/>	<input type="checkbox"/>	<input type="checkbox"/>	098	<input checked="" type="checkbox"/>	<input checked="" type="checkbox"/>	<input checked="" type="checkbox"/>	<input checked="" type="checkbox"/>	<input checked="" type="checkbox"/>	<input checked="" type="checkbox"/>	<input type="checkbox"/>	<input type="checkbox"/>	099	<input checked="" type="checkbox"/>	<input checked="" type="checkbox"/>	<input checked="" type="checkbox"/>	<input checked="" type="checkbox"/>	<input checked="" type="checkbox"/>	<input checked="" type="checkbox"/>	<input type="checkbox"/>	<input type="checkbox"/>	100	<input checked="" type="checkbox"/>	<input checked="" type="checkbox"/>	<input checked="" type="checkbox"/>	<input checked="" type="checkbox"/>	<input checked="" type="checkbox"/>	<input checked="" type="checkbox"/>	<input type="checkbox"/>	<input type="checkbox"/>
	1	2	3	4	5	6	7	8		1	2	3	4	5	6	7	8		1	2	3	4	5	6	7	8		1	2	3	4	5	6	7	8
101	<input checked="" type="checkbox"/>	<input checked="" type="checkbox"/>	<input checked="" type="checkbox"/>	<input checked="" type="checkbox"/>	<input checked="" type="checkbox"/>	<input checked="" type="checkbox"/>	<input type="checkbox"/>	<input type="checkbox"/>	102	<input checked="" type="checkbox"/>	<input checked="" type="checkbox"/>	<input checked="" type="checkbox"/>	<input checked="" type="checkbox"/>	<input checked="" type="checkbox"/>	<input checked="" type="checkbox"/>	<input type="checkbox"/>	<input type="checkbox"/>	103	<input checked="" type="checkbox"/>	<input checked="" type="checkbox"/>	<input checked="" type="checkbox"/>	<input checked="" type="checkbox"/>	<input checked="" type="checkbox"/>	<input checked="" type="checkbox"/>	<input type="checkbox"/>	<input type="checkbox"/>	104	<input checked="" type="checkbox"/>	<input checked="" type="checkbox"/>	<input checked="" type="checkbox"/>	<input checked="" type="checkbox"/>	<input checked="" type="checkbox"/>	<input checked="" type="checkbox"/>	<input type="checkbox"/>	<input type="checkbox"/>
	1	2	3	4	5	6	7	8		1	2	3	4	5	6	7	8		1	2	3	4	5	6	7	8		1	2	3	4	5	6	7	8
105	<input checked="" type="checkbox"/>	<input checked="" type="checkbox"/>	<input checked="" type="checkbox"/>	<input checked="" type="checkbox"/>	<input checked="" type="checkbox"/>	<input checked="" type="checkbox"/>	<input type="checkbox"/>	<input type="checkbox"/>	106	<input checked="" type="checkbox"/>	<input checked="" type="checkbox"/>	<input checked="" type="checkbox"/>	<input checked="" type="checkbox"/>	<input checked="" type="checkbox"/>	<input checked="" type="checkbox"/>	<input type="checkbox"/>	<input type="checkbox"/>	107	<input checked="" type="checkbox"/>	<input checked="" type="checkbox"/>	<input checked="" type="checkbox"/>	<input checked="" type="checkbox"/>	<input checked="" type="checkbox"/>	<input checked="" type="checkbox"/>	<input type="checkbox"/>	<input type="checkbox"/>	108	<input checked="" type="checkbox"/>	<input checked="" type="checkbox"/>	<input checked="" type="checkbox"/>	<input checked="" type="checkbox"/>	<input checked="" type="checkbox"/>	<input checked="" type="checkbox"/>	<input type="checkbox"/>	<input type="checkbox"/>
	1	2	3	4	5	6	7	8		1	2	3	4	5	6	7	8		1	2	3	4	5	6	7	8		1	2	3	4	5	6	7	8
109	<input checked="" type="checkbox"/>	<input checked="" type="checkbox"/>	<input checked="" type="checkbox"/>	<input checked="" type="checkbox"/>	<input checked="" type="checkbox"/>	<input checked="" type="checkbox"/>	<input type="checkbox"/>	<input type="checkbox"/>	110	<input checked="" type="checkbox"/>	<input checked="" type="checkbox"/>	<input checked="" type="checkbox"/>	<input checked="" type="checkbox"/>	<input checked="" type="checkbox"/>	<input checked="" type="checkbox"/>	<input type="checkbox"/>	<input type="checkbox"/>	111	<input checked="" type="checkbox"/>	<input checked="" type="checkbox"/>	<input checked="" type="checkbox"/>	<input checked="" type="checkbox"/>	<input checked="" type="checkbox"/>	<input checked="" type="checkbox"/>	<input type="checkbox"/>	<input type="checkbox"/>	112	<input checked="" type="checkbox"/>	<input checked="" type="checkbox"/>	<input checked="" type="checkbox"/>	<input checked="" type="checkbox"/>	<input checked="" type="checkbox"/>	<input checked="" type="checkbox"/>	<input type="checkbox"/>	<input type="checkbox"/>
	1	2	3	4	5	6	7	8		1	2	3	4	5	6	7	8		1	2	3	4	5	6	7	8		1	2	3	4	5	6	7	8

113	<input checked="" type="checkbox"/>	<input checked="" type="checkbox"/>	<input checked="" type="checkbox"/>	<input checked="" type="checkbox"/>	<input checked="" type="checkbox"/>	<input checked="" type="checkbox"/>	<input type="checkbox"/>	<input type="checkbox"/>	114	<input checked="" type="checkbox"/>	<input checked="" type="checkbox"/>	<input checked="" type="checkbox"/>	<input checked="" type="checkbox"/>	<input checked="" type="checkbox"/>	<input checked="" type="checkbox"/>	<input type="checkbox"/>	<input type="checkbox"/>	115	<input checked="" type="checkbox"/>	<input checked="" type="checkbox"/>	<input checked="" type="checkbox"/>	<input checked="" type="checkbox"/>	<input checked="" type="checkbox"/>	<input checked="" type="checkbox"/>	<input type="checkbox"/>	<input type="checkbox"/>	116	<input checked="" type="checkbox"/>	<input checked="" type="checkbox"/>	<input checked="" type="checkbox"/>	<input checked="" type="checkbox"/>	<input checked="" type="checkbox"/>	<input checked="" type="checkbox"/>	<input type="checkbox"/>	<input type="checkbox"/>
	1	2	3	4	5	6	7	8		1	2	3	4	5	6	7	8		1	2	3	4	5	6	7	8		1	2	3	4	5	6	7	8
117	<input checked="" type="checkbox"/>	<input checked="" type="checkbox"/>	<input checked="" type="checkbox"/>	<input checked="" type="checkbox"/>	<input checked="" type="checkbox"/>	<input checked="" type="checkbox"/>	<input type="checkbox"/>	<input type="checkbox"/>	118	<input checked="" type="checkbox"/>	<input checked="" type="checkbox"/>	<input checked="" type="checkbox"/>	<input checked="" type="checkbox"/>	<input checked="" type="checkbox"/>	<input checked="" type="checkbox"/>	<input type="checkbox"/>	<input type="checkbox"/>	119	<input checked="" type="checkbox"/>	<input checked="" type="checkbox"/>	<input checked="" type="checkbox"/>	<input checked="" type="checkbox"/>	<input checked="" type="checkbox"/>	<input checked="" type="checkbox"/>	<input type="checkbox"/>	<input type="checkbox"/>	120	<input checked="" type="checkbox"/>	<input checked="" type="checkbox"/>	<input checked="" type="checkbox"/>	<input checked="" type="checkbox"/>	<input checked="" type="checkbox"/>	<input checked="" type="checkbox"/>	<input type="checkbox"/>	<input type="checkbox"/>
	1	2	3	4	5	6	7	8		1	2	3	4	5	6	7	8		1	2	3	4	5	6	7	8		1	2	3	4	5	6	7	8
121	<input checked="" type="checkbox"/>	<input checked="" type="checkbox"/>	<input checked="" type="checkbox"/>	<input checked="" type="checkbox"/>	<input checked="" type="checkbox"/>	<input checked="" type="checkbox"/>	<input type="checkbox"/>	<input type="checkbox"/>	122	<input checked="" type="checkbox"/>	<input checked="" type="checkbox"/>	<input checked="" type="checkbox"/>	<input checked="" type="checkbox"/>	<input checked="" type="checkbox"/>	<input checked="" type="checkbox"/>	<input type="checkbox"/>	<input type="checkbox"/>	123	<input checked="" type="checkbox"/>	<input checked="" type="checkbox"/>	<input checked="" type="checkbox"/>	<input checked="" type="checkbox"/>	<input checked="" type="checkbox"/>	<input checked="" type="checkbox"/>	<input type="checkbox"/>	<input type="checkbox"/>	124	<input checked="" type="checkbox"/>	<input checked="" type="checkbox"/>	<input checked="" type="checkbox"/>	<input checked="" type="checkbox"/>	<input checked="" type="checkbox"/>	<input checked="" type="checkbox"/>	<input type="checkbox"/>	<input type="checkbox"/>
	1	2	3	4	5	6	7	8		1	2	3	4	5	6	7	8		1	2	3	4	5	6	7	8		1	2	3	4	5	6	7	8
125	<input checked="" type="checkbox"/>	<input checked="" type="checkbox"/>	<input checked="" type="checkbox"/>	<input checked="" type="checkbox"/>	<input checked="" type="checkbox"/>	<input checked="" type="checkbox"/>	<input type="checkbox"/>	<input type="checkbox"/>	126	<input checked="" type="checkbox"/>	<input checked="" type="checkbox"/>	<input checked="" type="checkbox"/>	<input checked="" type="checkbox"/>	<input checked="" type="checkbox"/>	<input checked="" type="checkbox"/>	<input type="checkbox"/>	<input type="checkbox"/>	127	<input checked="" type="checkbox"/>	<input checked="" type="checkbox"/>	<input checked="" type="checkbox"/>	<input checked="" type="checkbox"/>	<input checked="" type="checkbox"/>	<input checked="" type="checkbox"/>	<input type="checkbox"/>	<input type="checkbox"/>	128	<input checked="" type="checkbox"/>	<input checked="" type="checkbox"/>	<input checked="" type="checkbox"/>	<input checked="" type="checkbox"/>	<input checked="" type="checkbox"/>	<input checked="" type="checkbox"/>	<input type="checkbox"/>	<input type="checkbox"/>
	1	2	3	4	5	6	7	8		1	2	3	4	5	6	7	8		1	2	3	4	5	6	7	8		1	2	3	4	5	6	7	8
129	<input checked="" type="checkbox"/>	<input checked="" type="checkbox"/>	<input checked="" type="checkbox"/>	<input checked="" type="checkbox"/>	<input checked="" type="checkbox"/>	<input checked="" type="checkbox"/>	<input type="checkbox"/>	<input type="checkbox"/>	130	<input checked="" type="checkbox"/>	<input checked="" type="checkbox"/>	<input checked="" type="checkbox"/>	<input checked="" type="checkbox"/>	<input checked="" type="checkbox"/>	<input checked="" type="checkbox"/>	<input type="checkbox"/>	<input type="checkbox"/>	131	<input checked="" type="checkbox"/>	<input checked="" type="checkbox"/>	<input checked="" type="checkbox"/>	<input checked="" type="checkbox"/>	<input checked="" type="checkbox"/>	<input checked="" type="checkbox"/>	<input type="checkbox"/>	<input type="checkbox"/>	132	<input checked="" type="checkbox"/>	<input checked="" type="checkbox"/>	<input checked="" type="checkbox"/>	<input checked="" type="checkbox"/>	<input checked="" type="checkbox"/>	<input checked="" type="checkbox"/>	<input type="checkbox"/>	<input type="checkbox"/>
	1	2	3	4	5	6	7	8		1	2	3	4	5	6	7	8		1	2	3	4	5	6	7	8		1	2	3	4	5	6	7	8
133	<input checked="" type="checkbox"/>	<input checked="" type="checkbox"/>	<input checked="" type="checkbox"/>	<input checked="" type="checkbox"/>	<input checked="" type="checkbox"/>	<input checked="" type="checkbox"/>	<input type="checkbox"/>	<input type="checkbox"/>	134	<input checked="" type="checkbox"/>	<input checked="" type="checkbox"/>	<input checked="" type="checkbox"/>	<input checked="" type="checkbox"/>	<input checked="" type="checkbox"/>	<input checked="" type="checkbox"/>	<input type="checkbox"/>	<input type="checkbox"/>	135	<input checked="" type="checkbox"/>	<input checked="" type="checkbox"/>	<input checked="" type="checkbox"/>	<input checked="" type="checkbox"/>	<input checked="" type="checkbox"/>	<input checked="" type="checkbox"/>	<input type="checkbox"/>	<input type="checkbox"/>	136	<input checked="" type="checkbox"/>	<input checked="" type="checkbox"/>	<input checked="" type="checkbox"/>	<input checked="" type="checkbox"/>	<input checked="" type="checkbox"/>	<input checked="" type="checkbox"/>	<input type="checkbox"/>	<input type="checkbox"/>
	1	2	3	4	5	6	7	8		1	2	3	4	5	6	7	8		1	2	3	4	5	6	7	8		1	2	3	4	5	6	7	8
137	<input checked="" type="checkbox"/>	<input checked="" type="checkbox"/>	<input checked="" type="checkbox"/>	<input checked="" type="checkbox"/>	<input checked="" type="checkbox"/>	<input checked="" type="checkbox"/>	<input type="checkbox"/>	<input type="checkbox"/>	138	<input checked="" type="checkbox"/>	<input checked="" type="checkbox"/>	<input checked="" type="checkbox"/>	<input checked="" type="checkbox"/>	<input checked="" type="checkbox"/>	<input checked="" type="checkbox"/>	<input type="checkbox"/>	<input type="checkbox"/>	139	<input checked="" type="checkbox"/>	<input checked="" type="checkbox"/>	<input checked="" type="checkbox"/>	<input checked="" type="checkbox"/>	<input checked="" type="checkbox"/>	<input checked="" type="checkbox"/>	<input type="checkbox"/>	<input type="checkbox"/>	140	<input checked="" type="checkbox"/>	<input checked="" type="checkbox"/>	<input checked="" type="checkbox"/>	<input checked="" type="checkbox"/>	<input checked="" type="checkbox"/>	<input checked="" type="checkbox"/>	<input type="checkbox"/>	<input type="checkbox"/>
	1	2	3	4	5	6	7	8		1	2	3	4	5	6	7	8		1	2	3	4	5	6	7	8		1	2	3	4	5	6	7	8
141	<input checked="" type="checkbox"/>	<input checked="" type="checkbox"/>	<input checked="" type="checkbox"/>	<input checked="" type="checkbox"/>	<input checked="" type="checkbox"/>	<input checked="" type="checkbox"/>	<input type="checkbox"/>	<input type="checkbox"/>	142	<input checked="" type="checkbox"/>	<input checked="" type="checkbox"/>	<input checked="" type="checkbox"/>	<input checked="" type="checkbox"/>	<input checked="" type="checkbox"/>	<input checked="" type="checkbox"/>	<input type="checkbox"/>	<input type="checkbox"/>	143	<input checked="" type="checkbox"/>	<input checked="" type="checkbox"/>	<input checked="" type="checkbox"/>	<input checked="" type="checkbox"/>	<input checked="" type="checkbox"/>	<input checked="" type="checkbox"/>	<input type="checkbox"/>	<input type="checkbox"/>	144	<input checked="" type="checkbox"/>	<input checked="" type="checkbox"/>	<input checked="" type="checkbox"/>	<input checked="" type="checkbox"/>	<input checked="" type="checkbox"/>	<input checked="" type="checkbox"/>	<input type="checkbox"/>	<input type="checkbox"/>
	1	2	3	4	5	6	7	8		1	2	3	4	5	6	7	8		1	2	3	4	5	6	7	8		1	2	3	4	5	6	7	8
145	<input checked="" type="checkbox"/>	<input checked="" type="checkbox"/>	<input checked="" type="checkbox"/>	<input checked="" type="checkbox"/>	<input checked="" type="checkbox"/>	<input checked="" type="checkbox"/>	<input type="checkbox"/>	<input type="checkbox"/>	146	<input checked="" type="checkbox"/>	<input checked="" type="checkbox"/>	<input checked="" type="checkbox"/>	<input checked="" type="checkbox"/>	<input checked="" type="checkbox"/>	<input checked="" type="checkbox"/>	<input type="checkbox"/>	<input type="checkbox"/>	147	<input checked="" type="checkbox"/>	<input checked="" type="checkbox"/>	<input checked="" type="checkbox"/>	<input checked="" type="checkbox"/>	<input checked="" type="checkbox"/>	<input checked="" type="checkbox"/>	<input type="checkbox"/>	<input type="checkbox"/>	148	<input checked="" type="checkbox"/>	<input checked="" type="checkbox"/>	<input checked="" type="checkbox"/>	<input checked="" type="checkbox"/>	<input checked="" type="checkbox"/>	<input checked="" type="checkbox"/>	<input type="checkbox"/>	<input type="checkbox"/>
	1	2	3	4	5	6	7	8		1	2	3	4	5	6	7	8		1	2	3	4	5	6	7	8		1	2	3	4	5	6	7	8
149	<input checked="" type="checkbox"/>	<input checked="" type="checkbox"/>	<input checked="" type="checkbox"/>	<input checked="" type="checkbox"/>	<input checked="" type="checkbox"/>	<input checked="" type="checkbox"/>	<input type="checkbox"/>	<input type="checkbox"/>	150	<input checked="" type="checkbox"/>	<input checked="" type="checkbox"/>	<input checked="" type="checkbox"/>	<input checked="" type="checkbox"/>	<input checked="" type="checkbox"/>	<input checked="" type="checkbox"/>	<input type="checkbox"/>	<input type="checkbox"/>	151	<input checked="" type="checkbox"/>	<input checked="" type="checkbox"/>	<input checked="" type="checkbox"/>	<input checked="" type="checkbox"/>	<input checked="" type="checkbox"/>	<input checked="" type="checkbox"/>	<input type="checkbox"/>	<input type="checkbox"/>	152	<input checked="" type="checkbox"/>	<input checked="" type="checkbox"/>	<input checked="" type="checkbox"/>	<input checked="" type="checkbox"/>	<input checked="" type="checkbox"/>	<input checked="" type="checkbox"/>	<input type="checkbox"/>	<input type="checkbox"/>
	1	2	3	4	5	6	7	8		1	2	3	4	5	6	7	8		1	2	3	4	5	6	7	8		1	2	3	4	5	6	7	8
153	<input checked="" type="checkbox"/>	<input checked="" type="checkbox"/>	<input checked="" type="checkbox"/>	<input checked="" type="checkbox"/>	<input checked="" type="checkbox"/>	<input checked="" type="checkbox"/>	<input type="checkbox"/>	<input type="checkbox"/>	154	<input checked="" type="checkbox"/>	<input checked="" type="checkbox"/>	<input checked="" type="checkbox"/>	<input checked="" type="checkbox"/>	<input checked="" type="checkbox"/>	<input checked="" type="checkbox"/>	<input type="checkbox"/>	<input type="checkbox"/>	155	<input checked="" type="checkbox"/>	<input checked="" type="checkbox"/>	<input checked="" type="checkbox"/>	<input checked="" type="checkbox"/>	<input checked="" type="checkbox"/>	<input checked="" type="checkbox"/>	<input type="checkbox"/>	<input type="checkbox"/>	156	<input checked="" type="checkbox"/>	<input checked="" type="checkbox"/>	<input checked="" type="checkbox"/>	<input checked="" type="checkbox"/>	<input checked="" type="checkbox"/>	<input checked="" type="checkbox"/>	<input type="checkbox"/>	<input type="checkbox"/>
	1	2	3	4	5	6	7	8		1	2	3	4	5	6	7	8		1	2	3	4	5	6	7	8		1	2	3	4	5	6	7	8
157	<input checked="" type="checkbox"/>	<input checked="" type="checkbox"/>	<input checked="" type="checkbox"/>	<input checked="" type="checkbox"/>	<input checked="" type="checkbox"/>	<input checked="" type="checkbox"/>	<input type="checkbox"/>	<input type="checkbox"/>	158	<input checked="" type="checkbox"/>	<input checked="" type="checkbox"/>	<input checked="" type="checkbox"/>	<input checked="" type="checkbox"/>	<input checked="" type="checkbox"/>	<input checked="" type="checkbox"/>	<input type="checkbox"/>	<input type="checkbox"/>	159	<input checked="" type="checkbox"/>	<input checked="" type="checkbox"/>	<input checked="" type="checkbox"/>	<input checked="" type="checkbox"/>	<input checked="" type="checkbox"/>	<input checked="" type="checkbox"/>	<input type="checkbox"/>	<input type="checkbox"/>	160	<input checked="" type="checkbox"/>	<input checked="" type="checkbox"/>	<input checked="" type="checkbox"/>	<input checked="" type="checkbox"/>	<input checked="" type="checkbox"/>	<input checked="" type="checkbox"/>	<input type="checkbox"/>	<input type="checkbox"/>
	1	2	3	4	5	6	7	8		1	2	3	4	5	6	7	8		1	2	3	4	5	6	7	8		1	2	3	4	5	6	7	8
161	<input checked="" type="checkbox"/>	<input checked="" type="checkbox"/>	<input checked="" type="checkbox"/>	<input checked="" type="checkbox"/>	<input checked="" type="checkbox"/>	<input checked="" type="checkbox"/>	<input type="checkbox"/>	<input type="checkbox"/>	162	<input checked="" type="checkbox"/>	<input checked="" type="checkbox"/>	<input checked="" type="checkbox"/>	<input checked="" type="checkbox"/>	<input checked="" type="checkbox"/>	<input checked="" type="checkbox"/>	<input type="checkbox"/>	<input type="checkbox"/>	163	<input checked="" type="checkbox"/>	<input checked="" type="checkbox"/>	<input checked="" type="checkbox"/>	<input checked="" type="checkbox"/>	<input checked="" type="checkbox"/>	<input checked="" type="checkbox"/>	<input type="checkbox"/>	<input type="checkbox"/>	164	<input checked="" type="checkbox"/>	<input checked="" type="checkbox"/>	<input checked="" type="checkbox"/>	<input checked="" type="checkbox"/>	<input checked="" type="checkbox"/>	<input checked="" type="checkbox"/>	<input type="checkbox"/>	<input type="checkbox"/>
	1	2	3	4	5	6	7	8		1	2	3	4	5	6	7	8		1	2	3	4	5	6	7	8		1	2	3	4	5	6	7	8
165	<input checked="" type="checkbox"/>	<input checked="" type="checkbox"/>	<input checked="" type="checkbox"/>	<input checked="" type="checkbox"/>	<input checked="" type="checkbox"/>	<input checked="" type="checkbox"/>	<input type="checkbox"/>	<input type="checkbox"/>	166	<input checked="" type="checkbox"/>	<input checked="" type="checkbox"/>	<input checked="" type="checkbox"/>	<input checked="" type="checkbox"/>	<input checked="" type="checkbox"/>	<input checked="" type="checkbox"/>	<input type="checkbox"/>	<input type="checkbox"/>	167	<input checked="" type="checkbox"/>	<input checked="" type="checkbox"/>	<input checked="" type="checkbox"/>	<input checked="" type="checkbox"/>	<input checked="" type="checkbox"/>	<input checked="" type="checkbox"/>	<input type="checkbox"/>	<input type="checkbox"/>	168	<input checked="" type="checkbox"/>	<input checked="" type="checkbox"/>	<input checked="" type="checkbox"/>	<input checked="" type="checkbox"/>	<input checked="" type="checkbox"/>	<input checked="" type="checkbox"/>	<input type="checkbox"/>	<input type="checkbox"/>
	1	2	3	4	5	6	7	8		1	2	3	4	5	6	7	8		1	2	3	4	5	6	7	8		1	2	3	4	5	6	7	8

169	<input checked="" type="checkbox"/>	<input checked="" type="checkbox"/>	<input checked="" type="checkbox"/>	<input checked="" type="checkbox"/>	<input checked="" type="checkbox"/>	<input checked="" type="checkbox"/>	<input type="checkbox"/>	<input type="checkbox"/>	170	<input checked="" type="checkbox"/>	<input checked="" type="checkbox"/>	<input checked="" type="checkbox"/>	<input checked="" type="checkbox"/>	<input checked="" type="checkbox"/>	<input checked="" type="checkbox"/>	<input type="checkbox"/>	<input type="checkbox"/>	171	<input checked="" type="checkbox"/>	<input checked="" type="checkbox"/>	<input checked="" type="checkbox"/>	<input checked="" type="checkbox"/>	<input checked="" type="checkbox"/>	<input checked="" type="checkbox"/>	<input type="checkbox"/>	<input type="checkbox"/>	172	<input checked="" type="checkbox"/>	<input checked="" type="checkbox"/>	<input checked="" type="checkbox"/>	<input checked="" type="checkbox"/>	<input checked="" type="checkbox"/>	<input checked="" type="checkbox"/>	<input type="checkbox"/>	<input type="checkbox"/>
	1	2	3	4	5	6	7	8		1	2	3	4	5	6	7	8		1	2	3	4	5	6	7	8		1	2	3	4	5	6	7	8
173	<input checked="" type="checkbox"/>	<input checked="" type="checkbox"/>	<input checked="" type="checkbox"/>	<input checked="" type="checkbox"/>	<input checked="" type="checkbox"/>	<input checked="" type="checkbox"/>	<input type="checkbox"/>	<input type="checkbox"/>	174	<input checked="" type="checkbox"/>	<input checked="" type="checkbox"/>	<input checked="" type="checkbox"/>	<input checked="" type="checkbox"/>	<input checked="" type="checkbox"/>	<input checked="" type="checkbox"/>	<input type="checkbox"/>	<input type="checkbox"/>	175	<input checked="" type="checkbox"/>	<input checked="" type="checkbox"/>	<input checked="" type="checkbox"/>	<input checked="" type="checkbox"/>	<input checked="" type="checkbox"/>	<input checked="" type="checkbox"/>	<input type="checkbox"/>	<input type="checkbox"/>	176	<input checked="" type="checkbox"/>	<input checked="" type="checkbox"/>	<input checked="" type="checkbox"/>	<input checked="" type="checkbox"/>	<input checked="" type="checkbox"/>	<input checked="" type="checkbox"/>	<input type="checkbox"/>	<input type="checkbox"/>
	1	2	3	4	5	6	7	8		1	2	3	4	5	6	7	8		1	2	3	4	5	6	7	8		1	2	3	4	5	6	7	8
177	<input checked="" type="checkbox"/>	<input checked="" type="checkbox"/>	<input checked="" type="checkbox"/>	<input checked="" type="checkbox"/>	<input checked="" type="checkbox"/>	<input checked="" type="checkbox"/>	<input type="checkbox"/>	<input type="checkbox"/>	178	<input checked="" type="checkbox"/>	<input checked="" type="checkbox"/>	<input checked="" type="checkbox"/>	<input checked="" type="checkbox"/>	<input checked="" type="checkbox"/>	<input checked="" type="checkbox"/>	<input type="checkbox"/>	<input type="checkbox"/>	179	<input checked="" type="checkbox"/>	<input checked="" type="checkbox"/>	<input checked="" type="checkbox"/>	<input checked="" type="checkbox"/>	<input checked="" type="checkbox"/>	<input checked="" type="checkbox"/>	<input type="checkbox"/>	<input type="checkbox"/>	180	<input checked="" type="checkbox"/>	<input checked="" type="checkbox"/>	<input checked="" type="checkbox"/>	<input checked="" type="checkbox"/>	<input checked="" type="checkbox"/>	<input checked="" type="checkbox"/>	<input type="checkbox"/>	<input type="checkbox"/>
	1	2	3	4	5	6	7	8		1	2	3	4	5	6	7	8		1	2	3	4	5	6	7	8		1	2	3	4	5	6	7	8
181	<input checked="" type="checkbox"/>	<input checked="" type="checkbox"/>	<input checked="" type="checkbox"/>	<input checked="" type="checkbox"/>	<input checked="" type="checkbox"/>	<input checked="" type="checkbox"/>	<input type="checkbox"/>	<input type="checkbox"/>	182	<input checked="" type="checkbox"/>	<input checked="" type="checkbox"/>	<input checked="" type="checkbox"/>	<input checked="" type="checkbox"/>	<input checked="" type="checkbox"/>	<input checked="" type="checkbox"/>	<input type="checkbox"/>	<input type="checkbox"/>	183	<input checked="" type="checkbox"/>	<input checked="" type="checkbox"/>	<input checked="" type="checkbox"/>	<input checked="" type="checkbox"/>	<input checked="" type="checkbox"/>	<input checked="" type="checkbox"/>	<input type="checkbox"/>	<input type="checkbox"/>	184	<input checked="" type="checkbox"/>	<input checked="" type="checkbox"/>	<input checked="" type="checkbox"/>	<input checked="" type="checkbox"/>	<input checked="" type="checkbox"/>	<input checked="" type="checkbox"/>	<input type="checkbox"/>	<input type="checkbox"/>
	1	2	3	4	5	6	7	8		1	2	3	4	5	6	7	8		1	2	3	4	5	6	7	8		1	2	3	4	5	6	7	8
185	<input checked="" type="checkbox"/>	<input checked="" type="checkbox"/>	<input checked="" type="checkbox"/>	<input checked="" type="checkbox"/>	<input checked="" type="checkbox"/>	<input checked="" type="checkbox"/>	<input type="checkbox"/>	<input type="checkbox"/>	186	<input checked="" type="checkbox"/>	<input checked="" type="checkbox"/>	<input checked="" type="checkbox"/>	<input checked="" type="checkbox"/>	<input checked="" type="checkbox"/>	<input checked="" type="checkbox"/>	<input type="checkbox"/>	<input type="checkbox"/>	187	<input checked="" type="checkbox"/>	<input checked="" type="checkbox"/>	<input checked="" type="checkbox"/>	<input checked="" type="checkbox"/>	<input checked="" type="checkbox"/>	<input checked="" type="checkbox"/>	<input type="checkbox"/>	<input type="checkbox"/>	188	<input checked="" type="checkbox"/>	<input checked="" type="checkbox"/>	<input checked="" type="checkbox"/>	<input checked="" type="checkbox"/>	<input checked="" type="checkbox"/>	<input checked="" type="checkbox"/>	<input type="checkbox"/>	<input type="checkbox"/>
	1	2	3	4	5	6	7	8		1	2	3	4	5	6	7	8		1	2	3	4	5	6	7	8		1	2	3	4	5	6	7	8
189	<input checked="" type="checkbox"/>	<input checked="" type="checkbox"/>	<input checked="" type="checkbox"/>	<input checked="" type="checkbox"/>	<input checked="" type="checkbox"/>	<input checked="" type="checkbox"/>	<input type="checkbox"/>	<input type="checkbox"/>	190	<input checked="" type="checkbox"/>	<input checked="" type="checkbox"/>	<input checked="" type="checkbox"/>	<input checked="" type="checkbox"/>	<input checked="" type="checkbox"/>	<input checked="" type="checkbox"/>	<input type="checkbox"/>	<input type="checkbox"/>	191	<input checked="" type="checkbox"/>	<input checked="" type="checkbox"/>	<input checked="" type="checkbox"/>	<input checked="" type="checkbox"/>	<input checked="" type="checkbox"/>	<input checked="" type="checkbox"/>	<input type="checkbox"/>	<input type="checkbox"/>	192	<input checked="" type="checkbox"/>	<input checked="" type="checkbox"/>	<input checked="" type="checkbox"/>	<input checked="" type="checkbox"/>	<input checked="" type="checkbox"/>	<input checked="" type="checkbox"/>	<input type="checkbox"/>	<input type="checkbox"/>
	1	2	3	4	5	6	7	8		1	2	3	4	5	6	7	8		1	2	3	4	5	6	7	8		1	2	3	4	5	6	7	8
193	<input checked="" type="checkbox"/>	<input checked="" type="checkbox"/>	<input checked="" type="checkbox"/>	<input checked="" type="checkbox"/>	<input checked="" type="checkbox"/>	<input checked="" type="checkbox"/>	<input type="checkbox"/>	<input type="checkbox"/>	194	<input checked="" type="checkbox"/>	<input checked="" type="checkbox"/>	<input checked="" type="checkbox"/>	<input checked="" type="checkbox"/>	<input checked="" type="checkbox"/>	<input checked="" type="checkbox"/>	<input type="checkbox"/>	<input type="checkbox"/>	195	<input checked="" type="checkbox"/>	<input checked="" type="checkbox"/>	<input checked="" type="checkbox"/>	<input checked="" type="checkbox"/>	<input checked="" type="checkbox"/>	<input checked="" type="checkbox"/>	<input type="checkbox"/>	<input type="checkbox"/>	196	<input checked="" type="checkbox"/>	<input checked="" type="checkbox"/>	<input checked="" type="checkbox"/>	<input checked="" type="checkbox"/>	<input checked="" type="checkbox"/>	<input checked="" type="checkbox"/>	<input type="checkbox"/>	<input type="checkbox"/>
	1	2	3	4	5	6	7	8		1	2	3	4	5	6	7	8		1	2	3	4	5	6	7	8		1	2	3	4	5	6	7	8
197	<input checked="" type="checkbox"/>	<input checked="" type="checkbox"/>	<input checked="" type="checkbox"/>	<input checked="" type="checkbox"/>	<input checked="" type="checkbox"/>	<input checked="" type="checkbox"/>	<input type="checkbox"/>	<input type="checkbox"/>	198	<input checked="" type="checkbox"/>	<input checked="" type="checkbox"/>	<input checked="" type="checkbox"/>	<input checked="" type="checkbox"/>	<input checked="" type="checkbox"/>	<input checked="" type="checkbox"/>	<input type="checkbox"/>	<input type="checkbox"/>	199	<input checked="" type="checkbox"/>	<input checked="" type="checkbox"/>	<input checked="" type="checkbox"/>	<input checked="" type="checkbox"/>	<input checked="" type="checkbox"/>	<input checked="" type="checkbox"/>	<input type="checkbox"/>	<input type="checkbox"/>	200	<input checked="" type="checkbox"/>	<input checked="" type="checkbox"/>	<input checked="" type="checkbox"/>	<input checked="" type="checkbox"/>	<input checked="" type="checkbox"/>	<input checked="" type="checkbox"/>	<input type="checkbox"/>	<input type="checkbox"/>
	1	2	3	4	5	6	7	8		1	2	3	4	5	6	7	8		1	2	3	4	5	6	7	8		1	2	3	4	5	6	7	8
201	<input checked="" type="checkbox"/>	<input checked="" type="checkbox"/>	<input checked="" type="checkbox"/>	<input checked="" type="checkbox"/>	<input checked="" type="checkbox"/>	<input checked="" type="checkbox"/>	<input type="checkbox"/>	<input type="checkbox"/>	202	<input checked="" type="checkbox"/>	<input checked="" type="checkbox"/>	<input checked="" type="checkbox"/>	<input checked="" type="checkbox"/>	<input checked="" type="checkbox"/>	<input checked="" type="checkbox"/>	<input type="checkbox"/>	<input type="checkbox"/>	203	<input checked="" type="checkbox"/>	<input checked="" type="checkbox"/>	<input checked="" type="checkbox"/>	<input checked="" type="checkbox"/>	<input checked="" type="checkbox"/>	<input checked="" type="checkbox"/>	<input type="checkbox"/>	<input type="checkbox"/>	204	<input checked="" type="checkbox"/>	<input checked="" type="checkbox"/>	<input checked="" type="checkbox"/>	<input checked="" type="checkbox"/>	<input checked="" type="checkbox"/>	<input checked="" type="checkbox"/>	<input type="checkbox"/>	<input type="checkbox"/>
	1	2	3	4	5	6	7	8		1	2	3	4	5	6	7	8		1	2	3	4	5	6	7	8		1	2	3	4	5	6	7	8
205	<input checked="" type="checkbox"/>	<input checked="" type="checkbox"/>	<input checked="" type="checkbox"/>	<input checked="" type="checkbox"/>	<input checked="" type="checkbox"/>	<input checked="" type="checkbox"/>	<input type="checkbox"/>	<input type="checkbox"/>	206	<input checked="" type="checkbox"/>	<input checked="" type="checkbox"/>	<input checked="" type="checkbox"/>	<input checked="" type="checkbox"/>	<input checked="" type="checkbox"/>	<input checked="" type="checkbox"/>	<input type="checkbox"/>	<input type="checkbox"/>	207	<input checked="" type="checkbox"/>	<input checked="" type="checkbox"/>	<input checked="" type="checkbox"/>	<input checked="" type="checkbox"/>	<input checked="" type="checkbox"/>	<input checked="" type="checkbox"/>	<input type="checkbox"/>	<input type="checkbox"/>	208	<input checked="" type="checkbox"/>	<input checked="" type="checkbox"/>	<input checked="" type="checkbox"/>	<input checked="" type="checkbox"/>	<input checked="" type="checkbox"/>	<input checked="" type="checkbox"/>	<input type="checkbox"/>	<input type="checkbox"/>
	1	2	3	4	5	6	7	8		1	2	3	4	5	6	7	8		1	2	3	4	5	6	7	8		1	2	3	4	5	6	7	8
209	<input checked="" type="checkbox"/>	<input checked="" type="checkbox"/>	<input checked="" type="checkbox"/>	<input checked="" type="checkbox"/>	<input checked="" type="checkbox"/>	<input checked="" type="checkbox"/>	<input type="checkbox"/>	<input type="checkbox"/>	210	<input checked="" type="checkbox"/>	<input checked="" type="checkbox"/>	<input checked="" type="checkbox"/>	<input checked="" type="checkbox"/>	<input checked="" type="checkbox"/>	<input checked="" type="checkbox"/>	<input type="checkbox"/>	<input type="checkbox"/>	211	<input checked="" type="checkbox"/>	<input checked="" type="checkbox"/>	<input checked="" type="checkbox"/>	<input checked="" type="checkbox"/>	<input checked="" type="checkbox"/>	<input checked="" type="checkbox"/>	<input type="checkbox"/>	<input type="checkbox"/>	212	<input checked="" type="checkbox"/>	<input checked="" type="checkbox"/>	<input checked="" type="checkbox"/>	<input checked="" type="checkbox"/>	<input checked="" type="checkbox"/>	<input checked="" type="checkbox"/>	<input type="checkbox"/>	<input type="checkbox"/>
	1	2	3	4	5	6	7	8		1	2	3	4	5	6	7	8		1	2	3	4	5	6	7	8		1	2	3	4	5	6	7	8
213	<input checked="" type="checkbox"/>	<input checked="" type="checkbox"/>	<input checked="" type="checkbox"/>	<input checked="" type="checkbox"/>	<input checked="" type="checkbox"/>	<input checked="" type="checkbox"/>	<input type="checkbox"/>	<input type="checkbox"/>	214	<input checked="" type="checkbox"/>	<input checked="" type="checkbox"/>	<input checked="" type="checkbox"/>	<input checked="" type="checkbox"/>	<input checked="" type="checkbox"/>	<input checked="" type="checkbox"/>	<input type="checkbox"/>	<input type="checkbox"/>	215	<input checked="" type="checkbox"/>	<input checked="" type="checkbox"/>	<input checked="" type="checkbox"/>	<input checked="" type="checkbox"/>	<input checked="" type="checkbox"/>	<input checked="" type="checkbox"/>	<input type="checkbox"/>	<input type="checkbox"/>	216	<input checked="" type="checkbox"/>	<input checked="" type="checkbox"/>	<input checked="" type="checkbox"/>	<input checked="" type="checkbox"/>	<input checked="" type="checkbox"/>	<input checked="" type="checkbox"/>	<input type="checkbox"/>	<input type="checkbox"/>
	1	2	3	4	5	6	7	8		1	2	3	4	5	6	7	8		1	2	3	4	5	6	7	8		1	2	3	4	5	6	7	8
217	<input checked="" type="checkbox"/>	<input checked="" type="checkbox"/>	<input checked="" type="checkbox"/>	<input checked="" type="checkbox"/>	<input checked="" type="checkbox"/>	<input checked="" type="checkbox"/>	<input type="checkbox"/>	<input type="checkbox"/>	218	<input checked="" type="checkbox"/>	<input checked="" type="checkbox"/>	<input checked="" type="checkbox"/>	<input checked="" type="checkbox"/>	<input checked="" type="checkbox"/>	<input checked="" type="checkbox"/>	<input type="checkbox"/>	<input type="checkbox"/>	219	<input checked="" type="checkbox"/>	<input checked="" type="checkbox"/>	<input checked="" type="checkbox"/>	<input checked="" type="checkbox"/>	<input checked="" type="checkbox"/>	<input checked="" type="checkbox"/>	<input type="checkbox"/>	<input type="checkbox"/>	220	<input checked="" type="checkbox"/>	<input checked="" type="checkbox"/>	<input checked="" type="checkbox"/>	<input checked="" type="checkbox"/>	<input checked="" type="checkbox"/>	<input checked="" type="checkbox"/>	<input type="checkbox"/>	<input type="checkbox"/>
	1	2	3	4	5	6	7	8		1	2	3	4	5	6	7	8		1	2	3	4	5	6	7	8		1	2	3	4	5	6	7	8
221	<input checked="" type="checkbox"/>	<input checked="" type="checkbox"/>	<input checked="" type="checkbox"/>	<input checked="" type="checkbox"/>	<input checked="" type="checkbox"/>	<input checked="" type="checkbox"/>	<input type="checkbox"/>	<input type="checkbox"/>	222	<input checked="" type="checkbox"/>	<input checked="" type="checkbox"/>	<input checked="" type="checkbox"/>	<input checked="" type="checkbox"/>	<input checked="" type="checkbox"/>	<input checked="" type="checkbox"/>	<input type="checkbox"/>	<input type="checkbox"/>	223	<input checked="" type="checkbox"/>	<input checked="" type="checkbox"/>	<input checked="" type="checkbox"/>	<input checked="" type="checkbox"/>	<input checked="" type="checkbox"/>	<input checked="" type="checkbox"/>	<input type="checkbox"/>	<input type="checkbox"/>	224	<input checked="" type="checkbox"/>	<input checked="" type="checkbox"/>	<input checked="" type="checkbox"/>	<input checked="" type="checkbox"/>	<input checked="" type="checkbox"/>	<input checked="" type="checkbox"/>	<input type="checkbox"/>	<input type="checkbox"/>
	1	2	3	4	5	6	7	8		1	2	3	4	5	6	7	8		1	2	3	4	5	6	7	8		1	2	3	4	5	6	7	8

225	<input checked="" type="checkbox"/>	<input checked="" type="checkbox"/>	<input checked="" type="checkbox"/>	<input checked="" type="checkbox"/>	<input checked="" type="checkbox"/>	<input checked="" type="checkbox"/>	<input type="checkbox"/>	<input type="checkbox"/>	226	<input checked="" type="checkbox"/>	<input checked="" type="checkbox"/>	<input checked="" type="checkbox"/>	<input checked="" type="checkbox"/>	<input checked="" type="checkbox"/>	<input checked="" type="checkbox"/>	<input type="checkbox"/>	<input type="checkbox"/>	227	<input checked="" type="checkbox"/>	<input checked="" type="checkbox"/>	<input checked="" type="checkbox"/>	<input checked="" type="checkbox"/>	<input checked="" type="checkbox"/>	<input checked="" type="checkbox"/>	<input type="checkbox"/>	<input type="checkbox"/>	228	<input checked="" type="checkbox"/>	<input checked="" type="checkbox"/>	<input checked="" type="checkbox"/>	<input checked="" type="checkbox"/>	<input checked="" type="checkbox"/>	<input checked="" type="checkbox"/>	<input type="checkbox"/>	<input type="checkbox"/>
	1	2	3	4	5	6	7	8		1	2	3	4	5	6	7	8		1	2	3	4	5	6	7	8		1	2	3	4	5	6	7	8
229	<input checked="" type="checkbox"/>	<input checked="" type="checkbox"/>	<input checked="" type="checkbox"/>	<input checked="" type="checkbox"/>	<input checked="" type="checkbox"/>	<input checked="" type="checkbox"/>	<input type="checkbox"/>	<input type="checkbox"/>	230	<input checked="" type="checkbox"/>	<input checked="" type="checkbox"/>	<input checked="" type="checkbox"/>	<input checked="" type="checkbox"/>	<input checked="" type="checkbox"/>	<input checked="" type="checkbox"/>	<input type="checkbox"/>	<input type="checkbox"/>	231	<input checked="" type="checkbox"/>	<input checked="" type="checkbox"/>	<input checked="" type="checkbox"/>	<input checked="" type="checkbox"/>	<input checked="" type="checkbox"/>	<input checked="" type="checkbox"/>	<input type="checkbox"/>	<input type="checkbox"/>	232	<input checked="" type="checkbox"/>	<input checked="" type="checkbox"/>	<input checked="" type="checkbox"/>	<input checked="" type="checkbox"/>	<input checked="" type="checkbox"/>	<input checked="" type="checkbox"/>	<input type="checkbox"/>	<input type="checkbox"/>
	1	2	3	4	5	6	7	8		1	2	3	4	5	6	7	8		1	2	3	4	5	6	7	8		1	2	3	4	5	6	7	8
233	<input checked="" type="checkbox"/>	<input checked="" type="checkbox"/>	<input checked="" type="checkbox"/>	<input checked="" type="checkbox"/>	<input checked="" type="checkbox"/>	<input checked="" type="checkbox"/>	<input type="checkbox"/>	<input type="checkbox"/>	234	<input checked="" type="checkbox"/>	<input checked="" type="checkbox"/>	<input checked="" type="checkbox"/>	<input checked="" type="checkbox"/>	<input checked="" type="checkbox"/>	<input checked="" type="checkbox"/>	<input type="checkbox"/>	<input type="checkbox"/>	235	<input checked="" type="checkbox"/>	<input checked="" type="checkbox"/>	<input checked="" type="checkbox"/>	<input checked="" type="checkbox"/>	<input checked="" type="checkbox"/>	<input checked="" type="checkbox"/>	<input type="checkbox"/>	<input type="checkbox"/>	236	<input checked="" type="checkbox"/>	<input checked="" type="checkbox"/>	<input checked="" type="checkbox"/>	<input checked="" type="checkbox"/>	<input checked="" type="checkbox"/>	<input checked="" type="checkbox"/>	<input type="checkbox"/>	<input type="checkbox"/>
	1	2	3	4	5	6	7	8		1	2	3	4	5	6	7	8		1	2	3	4	5	6	7	8		1	2	3	4	5	6	7	8
237	<input checked="" type="checkbox"/>	<input checked="" type="checkbox"/>	<input checked="" type="checkbox"/>	<input checked="" type="checkbox"/>	<input checked="" type="checkbox"/>	<input checked="" type="checkbox"/>	<input type="checkbox"/>	<input type="checkbox"/>	238	<input checked="" type="checkbox"/>	<input checked="" type="checkbox"/>	<input checked="" type="checkbox"/>	<input checked="" type="checkbox"/>	<input checked="" type="checkbox"/>	<input checked="" type="checkbox"/>	<input type="checkbox"/>	<input type="checkbox"/>	239	<input checked="" type="checkbox"/>	<input checked="" type="checkbox"/>	<input checked="" type="checkbox"/>	<input checked="" type="checkbox"/>	<input checked="" type="checkbox"/>	<input checked="" type="checkbox"/>	<input type="checkbox"/>	<input type="checkbox"/>	240	<input checked="" type="checkbox"/>	<input checked="" type="checkbox"/>	<input checked="" type="checkbox"/>	<input checked="" type="checkbox"/>	<input checked="" type="checkbox"/>	<input checked="" type="checkbox"/>	<input type="checkbox"/>	<input type="checkbox"/>
	1	2	3	4	5	6	7	8		1	2	3	4	5	6	7	8		1	2	3	4	5	6	7	8		1	2	3	4	5	6	7	8
241	<input checked="" type="checkbox"/>	<input checked="" type="checkbox"/>	<input checked="" type="checkbox"/>	<input checked="" type="checkbox"/>	<input checked="" type="checkbox"/>	<input checked="" type="checkbox"/>	<input type="checkbox"/>	<input type="checkbox"/>	242	<input checked="" type="checkbox"/>	<input checked="" type="checkbox"/>	<input checked="" type="checkbox"/>	<input checked="" type="checkbox"/>	<input checked="" type="checkbox"/>	<input checked="" type="checkbox"/>	<input type="checkbox"/>	<input type="checkbox"/>	243	<input checked="" type="checkbox"/>	<input checked="" type="checkbox"/>	<input checked="" type="checkbox"/>	<input checked="" type="checkbox"/>	<input checked="" type="checkbox"/>	<input checked="" type="checkbox"/>	<input type="checkbox"/>	<input type="checkbox"/>	244	<input checked="" type="checkbox"/>	<input checked="" type="checkbox"/>	<input checked="" type="checkbox"/>	<input checked="" type="checkbox"/>	<input checked="" type="checkbox"/>	<input checked="" type="checkbox"/>	<input type="checkbox"/>	<input type="checkbox"/>
	1	2	3	4	5	6	7	8		1	2	3	4	5	6	7	8		1	2	3	4	5	6	7	8		1	2	3	4	5	6	7	8
245	<input checked="" type="checkbox"/>	<input checked="" type="checkbox"/>	<input checked="" type="checkbox"/>	<input checked="" type="checkbox"/>	<input checked="" type="checkbox"/>	<input checked="" type="checkbox"/>	<input type="checkbox"/>	<input type="checkbox"/>	246	<input checked="" type="checkbox"/>	<input checked="" type="checkbox"/>	<input checked="" type="checkbox"/>	<input checked="" type="checkbox"/>	<input checked="" type="checkbox"/>	<input checked="" type="checkbox"/>	<input type="checkbox"/>	<input type="checkbox"/>	247	<input checked="" type="checkbox"/>	<input checked="" type="checkbox"/>	<input checked="" type="checkbox"/>	<input checked="" type="checkbox"/>	<input checked="" type="checkbox"/>	<input checked="" type="checkbox"/>	<input type="checkbox"/>	<input type="checkbox"/>	248	<input checked="" type="checkbox"/>	<input checked="" type="checkbox"/>	<input checked="" type="checkbox"/>	<input checked="" type="checkbox"/>	<input checked="" type="checkbox"/>	<input checked="" type="checkbox"/>	<input type="checkbox"/>	<input type="checkbox"/>
	1	2	3	4	5	6	7	8		1	2	3	4	5	6	7	8		1	2	3	4	5	6	7	8		1	2	3	4	5	6	7	8

[308] Event Reporting	
Description on [308] Event Reporting	
001 – Miscellaneous Alarm 1	<input checked="" type="checkbox"/> 1 – Duress Alarm <input checked="" type="checkbox"/> 2 – Opening After Alarm <input checked="" type="checkbox"/> 3 – Recent Closing Alarm <input checked="" type="checkbox"/> 4 – Zone Expander Supervisory Alarm <input checked="" type="checkbox"/> 5 – Zone Expander Supervisory Alarm Restore <input checked="" type="checkbox"/> 6 – Burglary Verified <input checked="" type="checkbox"/> 7 – Burglary Not Verified Alarm <input checked="" type="checkbox"/> 8 – Alarm Cancel
002 – Miscellaneous Alarm 2	<input checked="" type="checkbox"/> 1 – Holdup Verified Alarm 2 - Holdup Unverified Alarm
011 – Priority Alarms 1	<input checked="" type="checkbox"/> 1 – Keypad Fire Alarm-F Key <input checked="" type="checkbox"/> 2 – Keypad Fire Restore <input checked="" type="checkbox"/> 3 – Keypad Medical Alarm-M Key <input checked="" type="checkbox"/> 4 – Keypad Medical Restore <input checked="" type="checkbox"/> 5 – Keypad Panic Alarm-P Key Alarm <input checked="" type="checkbox"/> 6 – Keypad Panic Restore <input checked="" type="checkbox"/> 7 – Auxiliary Input Alarm <input checked="" type="checkbox"/> 8 – Auxiliary Input Alarm Restore
021 – Fire Alarms 1	<input checked="" type="checkbox"/> 3 – PGM 2 2-Wire Alarm <input checked="" type="checkbox"/> 4 – PGM 2 2-Wire Alarm Restore
101 – Tamper Events	<input checked="" type="checkbox"/> 3 – Module Tamper <input checked="" type="checkbox"/> 4 – Module Tamper Restore <input checked="" type="checkbox"/> 5 – Keypad Lockout <input checked="" type="checkbox"/> 7 – Remote Lockout

[308] Event Reporting	
Description on [308] Event Reporting	
201 – Open/Close Events 1	<input checked="" type="checkbox"/> 1 – User Closing <input checked="" type="checkbox"/> 2 – User Opening <input checked="" type="checkbox"/> 5 – Special Closing <input checked="" type="checkbox"/> 6 – Special Opening <input checked="" type="checkbox"/> 7 – Keypad Opening <input checked="" type="checkbox"/> 8 – Keypad Closing
202 – Open/Close Events 2	<input checked="" type="checkbox"/> 1 – Automatic Closing <input checked="" type="checkbox"/> 2 – Automatic Disarm <input checked="" type="checkbox"/> 3 – Auto Arm Cancellation/Postpone
211 – Miscellaneous Open/Close Events	<input checked="" type="checkbox"/> 1 – Late to Close <input checked="" type="checkbox"/> 2 – Late to Open <input checked="" type="checkbox"/> 5 – Exit Fault 6 - Arming cancelled
221 – Bypass Events	<input checked="" type="checkbox"/> 1 – Zone Bypass <input checked="" type="checkbox"/> 2 – Zone Unbypass <input checked="" type="checkbox"/> 3 – Partial Closing
301 – Panel Events 1	<input checked="" type="checkbox"/> 1 – Panel AC Fail Trouble <input checked="" type="checkbox"/> 2 – Panel AC Fail Restore <input checked="" type="checkbox"/> 3 – Panel Low Battery Trouble <input checked="" type="checkbox"/> 4 – Panel Low Battery Trouble Restore <input checked="" type="checkbox"/> 5 – Panel Battery Absent Trouble <input checked="" type="checkbox"/> 6 – Panel Battery Absent Trouble Restore <input checked="" type="checkbox"/> 7 – Panel Power Unit Failure <input checked="" type="checkbox"/> 8 – Panel Power Unit Fail Restore

[308] Event Reporting																	
Description on [308] Event Reporting																	
302 – Panel Events 2	<input checked="" type="checkbox"/> 1 – Bell Circuit Trouble <input checked="" type="checkbox"/> 2 – Bell Circuit Trouble Restore <input checked="" type="checkbox"/> 3 – Telephone Line Trouble <input checked="" type="checkbox"/> 4 – Telephone Line Trouble Restore <input checked="" type="checkbox"/> 5 – Auxiliary Trouble <input checked="" type="checkbox"/> 6 – Auxiliary Trouble Restore <input checked="" type="checkbox"/> 7 – Overcurrent Trouble <input checked="" type="checkbox"/> 8 – Overcurrent Trouble Restore																
305 – Panel Events 5	<input checked="" type="checkbox"/> 3 – PGM 2 2-Wire Trouble <input checked="" type="checkbox"/> 4 – PGM 2 2-Wire Trouble Restore																
311 – Maintenance Events 1	<input checked="" type="checkbox"/> 1 – RF Jam Trouble <input checked="" type="checkbox"/> 2 – RF Jam Trouble Restore <input checked="" type="checkbox"/> 3 – Fire Trouble <input checked="" type="checkbox"/> 4 – Fire Trouble Restore <input checked="" type="checkbox"/> 5 – Cold Start <input checked="" type="checkbox"/> 6 – Delinquency <input checked="" type="checkbox"/> 7 – Self Test Trouble <input checked="" type="checkbox"/> 8 – Self Test Trouble Restore																
312 – Maintenance Events 2	<table border="1"> <thead> <tr> <th>NA</th> <th>EN</th> </tr> </thead> <tbody> <tr> <td><input type="checkbox"/> 1 – Installer Lead IN</td> <td><input type="checkbox"/> 1 – Installer Lead IN</td> </tr> <tr> <td><input type="checkbox"/> 2 – Installer Lead OUT</td> <td><input type="checkbox"/> 2 – Installer Lead OUT</td> </tr> <tr> <td><input type="checkbox"/> 3 – DLS Lead IN</td> <td><input type="checkbox"/> 3 – DLS Lead IN</td> </tr> <tr> <td><input type="checkbox"/> 4 – DLS Lead OUT</td> <td><input type="checkbox"/> 4 – DLS Lead OUT</td> </tr> <tr> <td><input type="checkbox"/> 5 – SA Lead IN</td> <td><input type="checkbox"/> 5 – SA Lead IN</td> </tr> <tr> <td><input type="checkbox"/> 6 – SA Lead OUT</td> <td><input checked="" type="checkbox"/> 6 – SA Lead OUT</td> </tr> <tr> <td><input type="checkbox"/> 7 – Event Buffer 75% Full</td> <td><input checked="" type="checkbox"/> 7 – Event Buffer 75% Full</td> </tr> </tbody> </table>	NA	EN	<input type="checkbox"/> 1 – Installer Lead IN	<input type="checkbox"/> 1 – Installer Lead IN	<input type="checkbox"/> 2 – Installer Lead OUT	<input type="checkbox"/> 2 – Installer Lead OUT	<input type="checkbox"/> 3 – DLS Lead IN	<input type="checkbox"/> 3 – DLS Lead IN	<input type="checkbox"/> 4 – DLS Lead OUT	<input type="checkbox"/> 4 – DLS Lead OUT	<input type="checkbox"/> 5 – SA Lead IN	<input type="checkbox"/> 5 – SA Lead IN	<input type="checkbox"/> 6 – SA Lead OUT	<input checked="" type="checkbox"/> 6 – SA Lead OUT	<input type="checkbox"/> 7 – Event Buffer 75% Full	<input checked="" type="checkbox"/> 7 – Event Buffer 75% Full
NA	EN																
<input type="checkbox"/> 1 – Installer Lead IN	<input type="checkbox"/> 1 – Installer Lead IN																
<input type="checkbox"/> 2 – Installer Lead OUT	<input type="checkbox"/> 2 – Installer Lead OUT																
<input type="checkbox"/> 3 – DLS Lead IN	<input type="checkbox"/> 3 – DLS Lead IN																
<input type="checkbox"/> 4 – DLS Lead OUT	<input type="checkbox"/> 4 – DLS Lead OUT																
<input type="checkbox"/> 5 – SA Lead IN	<input type="checkbox"/> 5 – SA Lead IN																
<input type="checkbox"/> 6 – SA Lead OUT	<input checked="" type="checkbox"/> 6 – SA Lead OUT																
<input type="checkbox"/> 7 – Event Buffer 75% Full	<input checked="" type="checkbox"/> 7 – Event Buffer 75% Full																

[308] Event Reporting	
Description on [308] Event Reporting	
313 – Maintenance Events 3	<input checked="" type="checkbox"/> 1 – Firmware Update Begin <input checked="" type="checkbox"/> 2 – Firmware Update Successful <input checked="" type="checkbox"/> 3 – Firmware Update Fail
314 – Maintenance Events 4	<input checked="" type="checkbox"/> 1 – Gas Trouble <input checked="" type="checkbox"/> 2 – Gas Trouble Restore <input checked="" type="checkbox"/> 3 – Heat Trouble <input checked="" type="checkbox"/> 4 – Heat Trouble Restore <input checked="" type="checkbox"/> 5 – Freeze Trouble <input checked="" type="checkbox"/> 6 – Freeze Trouble Restore <input checked="" type="checkbox"/> 7 – Probe Disconnected Trouble <input checked="" type="checkbox"/> 8 – Probe Disconnected Restore
321 – Receiver Events	<input checked="" type="checkbox"/> 2 – Receiver 1 FTC Restore <input checked="" type="checkbox"/> 4 – Receiver 2 FTC Restore <input checked="" type="checkbox"/> 6 – Receiver 3 FTC Restore <input checked="" type="checkbox"/> 8 – Receiver 4 FTC Restore
331 – Module Events 1	<input checked="" type="checkbox"/> 1 – Module AC Trouble <input checked="" type="checkbox"/> 2 – Module AC Trouble Restore <input checked="" type="checkbox"/> 3 – Module Battery Trouble <input checked="" type="checkbox"/> 4 – Module Battery Trouble Restore <input checked="" type="checkbox"/> 5 – Module Battery Absent <input checked="" type="checkbox"/> 6 – Module Battery Absent Restore <input checked="" type="checkbox"/> 7 – Module Power Unit Fail <input checked="" type="checkbox"/> 8 – Module Power Unit Fail Restore

[308] Event Reporting	
Description on [308] Event Reporting	
332 – Module Events 2	<input checked="" type="checkbox"/> 1 – Module Low Voltage Trouble <input checked="" type="checkbox"/> 2 – Module Low Voltage Restore <input checked="" type="checkbox"/> 3 – Module Supervisory <input checked="" type="checkbox"/> 4 – Module Supervisory Restore <input checked="" type="checkbox"/> 5 – Module Aux Trouble <input checked="" type="checkbox"/> 6 – Module Aux Trouble Restore
335 – Module Events 5	<input checked="" type="checkbox"/> 1 – Output 1 Fault <input checked="" type="checkbox"/> 2 – Output 1 Fault Restore
351 – Alternate Communicator 1	<input checked="" type="checkbox"/> 1 – Alt. Comm. Module Comm Fault <input checked="" type="checkbox"/> 2 – Alt. Comm. Module Comm Fault Restore <input checked="" type="checkbox"/> 7 – Alt. Comm. Radio/SIM Failure <input checked="" type="checkbox"/> 8 – Alt. Comm. Radio/SIM Failure Restore
352 – Alternate Communicator 2	<input checked="" type="checkbox"/> 1 – Alt. Comm. Network Fault <input checked="" type="checkbox"/> 2 – Alt. Comm. Network Fault Restore <input checked="" type="checkbox"/> 5 – Alt. Comm. Ethernet Trouble <input checked="" type="checkbox"/> 6 – Alt. Comm. Ethernet Trouble Restore
354 – Alternate Communicator 4	<input checked="" type="checkbox"/> 1 – Alt. Comm Receiver 1 Trouble <input checked="" type="checkbox"/> 2 – Alt. Comm Receiver 1 Restore <input checked="" type="checkbox"/> 3 – Alt. Comm Receiver 2 Trouble <input checked="" type="checkbox"/> 4 – Alt. Comm Receiver 2 Restore <input checked="" type="checkbox"/> 5 – Alt. Comm Receiver 3 Trouble <input checked="" type="checkbox"/> 6 – Alt. Comm Receiver 3 Restore <input checked="" type="checkbox"/> 7 – Alt. Comm Receiver 4 Trouble <input checked="" type="checkbox"/> 8 – Alt. Comm Receiver 4 Restore

[308] Event Reporting	
Description on [308] Event Reporting	
355 – Alternate Communicator 5	<input checked="" type="checkbox"/> 1 – Alt. Comm Receiver 1 Supervision Failure <input checked="" type="checkbox"/> 2 – Alt. Comm Receiver 1 Supervision Restore <input checked="" type="checkbox"/> 3 – Alt. Comm Receiver 2 Supervision Failure <input checked="" type="checkbox"/> 4 – Alt. Comm Receiver 2 Supervision Restore <input checked="" type="checkbox"/> 5 – Alt. Comm Receiver 3 Supervision Failure <input checked="" type="checkbox"/> 6 – Alt. Comm Receiver 3 Supervision Restore <input checked="" type="checkbox"/> 7 – Alt. Comm Receiver 4 Supervision Failure <input checked="" type="checkbox"/> 8 – Alt. Comm Receiver 4 Supervision Restore
361 – Wireless Device Events	<input checked="" type="checkbox"/> 1 – Device AC Fail <input checked="" type="checkbox"/> 2 – Device AC Restore <input checked="" type="checkbox"/> 3 – Device Low Battery <input checked="" type="checkbox"/> 4 – Device Low Battery Restore <input checked="" type="checkbox"/> 5 – Device Fault <input checked="" type="checkbox"/> 6 – Device Fault Restore
401 – System Test Events	<input checked="" type="checkbox"/> 1 – Walk Test Start <input checked="" type="checkbox"/> 2 – Walk Test End <input checked="" type="checkbox"/> 3 – Periodic Test Transmission <input checked="" type="checkbox"/> 4 – Periodic Test Transmission with Trouble <input checked="" type="checkbox"/> 5 – System Test

Call Directions

[309] System Call Direction		
Description on [309] System Call Direction		
001 – Maintenance Events:	<input checked="" type="checkbox"/> Receiver #1	<input checked="" type="checkbox"/> Receiver #3
	<input checked="" type="checkbox"/> Receiver #2	<input checked="" type="checkbox"/> Receiver #4
002 – Test Transmission Events:	<input checked="" type="checkbox"/> Receiver #1	<input checked="" type="checkbox"/> Receiver #3
	<input checked="" type="checkbox"/> Receiver #2	<input checked="" type="checkbox"/> Receiver #4

[310] Account Codes		
(4-Digit HEX; Default FFFF)		
Description on [310] Account Codes		
000 – System Account Code (6-digit Hex; Default: FFFFFF):		
001 – Partition 1 Account Code:	017 – Partition 17 Account Code:	
002 – Partition 2 Account Code:	018 – Partition 18 Account Code:	
003 – Partition 3 Account Code:	019 – Partition 19 Account Code:	
004 – Partition 4 Account Code:	020 – Partition 20 Account Code:	
005 – Partition 5 Account Code:	021 – Partition 21 Account Code:	
006 – Partition 6 Account Code:	022 – Partition 22 Account Code:	
007 – Partition 7 Account Code:	023 – Partition 23 Account Code:	
008 – Partition 8 Account Code:	024 – Partition 24 Account Code:	
009 – Partition 9 Account Code:	025 – Partition 25 Account Code:	
010 – Partition 10 Account Code:	026 – Partition 26 Account Code:	
011 – Partition 11 Account Code:	027 – Partition 27 Account Code:	
012 – Partition 12 Account Code:	028 – Partition 28 Account Code:	
013 – Partition 13 Account Code:	029 – Partition 29 Account Code:	
014 – Partition 14 Account Code:	030 – Partition 30 Account Code:	
015 – Partition 15 Account Code:	031 – Partition 31 Account Code:	
016 – Partition 16 Account Code:	032 – Partition 32 Account Code:	
[311] Partition 1 Call Directions		
Description on [311]-[332] Partition Call Directions		
001 – Partition 1 Alarm/Restore:	<input checked="" type="checkbox"/> Receiver #1	<input checked="" type="checkbox"/> Receiver #3
	<input checked="" type="checkbox"/> Receiver #2	<input checked="" type="checkbox"/> Receiver #4
002 – Partition 1 Tamper/Restore:	<input checked="" type="checkbox"/> Receiver #1	<input checked="" type="checkbox"/> Receiver #3
	<input checked="" type="checkbox"/> Receiver #2	<input checked="" type="checkbox"/> Receiver #4
003 – Partition 1 Opening/Closing:	<input type="checkbox"/> Receiver #1	<input type="checkbox"/> Receiver #3
	<input type="checkbox"/> Receiver #2	<input type="checkbox"/> Receiver #4
[312] Partition 2 Call Directions		
001 – Partition 2 Alarm/Restore:	<input checked="" type="checkbox"/> Receiver #1	<input checked="" type="checkbox"/> Receiver #3
	<input checked="" type="checkbox"/> Receiver #2	<input checked="" type="checkbox"/> Receiver #4
002 – Partition 2 Tamper/Restore:	<input checked="" type="checkbox"/> Receiver #1	<input checked="" type="checkbox"/> Receiver #3
	<input checked="" type="checkbox"/> Receiver #2	<input checked="" type="checkbox"/> Receiver #4

003 – Partition 2 Opening/ Closing:	<input type="checkbox"/> Receiver #1	<input type="checkbox"/> Receiver #3
	<input type="checkbox"/> Receiver #2	<input type="checkbox"/> Receiver #4
[313] Partition 3 Call Directions		
001 – Partition 3 Alarm/ Restore:	<input checked="" type="checkbox"/> Receiver #1	<input checked="" type="checkbox"/> Receiver #3
	<input checked="" type="checkbox"/> Receiver #2	<input checked="" type="checkbox"/> Receiver #4
002 – Partition 3 Tamper/ Restore:	<input checked="" type="checkbox"/> Receiver #1	<input checked="" type="checkbox"/> Receiver #3
	<input checked="" type="checkbox"/> Receiver #2	<input checked="" type="checkbox"/> Receiver #4
003 – Partition 3 Opening/ Closing:	<input type="checkbox"/> Receiver #1	<input type="checkbox"/> Receiver #3
	<input type="checkbox"/> Receiver #2	<input type="checkbox"/> Receiver #4
[314] Partition 4 Call Directions		
001 – Partition 4 Alarm/ Restore:	<input checked="" type="checkbox"/> Receiver #1	<input checked="" type="checkbox"/> Receiver #3
	<input checked="" type="checkbox"/> Receiver #2	<input checked="" type="checkbox"/> Receiver #4
002 – Partition 4 Tamper/ Restore:	<input checked="" type="checkbox"/> Receiver #1	<input checked="" type="checkbox"/> Receiver #3
	<input checked="" type="checkbox"/> Receiver #2	<input checked="" type="checkbox"/> Receiver #4
003 – Partition 4 Opening/ Closing:	<input type="checkbox"/> Receiver #1	<input type="checkbox"/> Receiver #3
	<input type="checkbox"/> Receiver #2	<input type="checkbox"/> Receiver #4
[315] Partition 5 Call Directions		
001 – Partition 5 Alarm/ Restore:	<input checked="" type="checkbox"/> Receiver #1	<input checked="" type="checkbox"/> Receiver #3
	<input checked="" type="checkbox"/> Receiver #2	<input checked="" type="checkbox"/> Receiver #4
002 – Partition 5 Tamper/ Restore:	<input checked="" type="checkbox"/> Receiver #1	<input checked="" type="checkbox"/> Receiver #3
	<input checked="" type="checkbox"/> Receiver #2	<input checked="" type="checkbox"/> Receiver #4
003 – Partition 5 Opening/ Closing:	<input type="checkbox"/> Receiver #1	<input type="checkbox"/> Receiver #3
	<input type="checkbox"/> Receiver #2	<input type="checkbox"/> Receiver #4
[316] Partition 6 Call Directions		
001 – Partition 6 Alarm/ Restore:	<input checked="" type="checkbox"/> Receiver #1	<input checked="" type="checkbox"/> Receiver #3
	<input checked="" type="checkbox"/> Receiver #2	<input checked="" type="checkbox"/> Receiver #4
002 – Partition 6 Tamper/ Restore:	<input checked="" type="checkbox"/> Receiver #1	<input checked="" type="checkbox"/> Receiver #3
	<input checked="" type="checkbox"/> Receiver #2	<input checked="" type="checkbox"/> Receiver #4
003 – Partition 6 Opening/ Closing:	<input type="checkbox"/> Receiver #1	<input type="checkbox"/> Receiver #3
	<input type="checkbox"/> Receiver #2	<input type="checkbox"/> Receiver #4
[317] Partition 7 Call Directions		
001 – Partition 7 Alarm/ Restore:	<input checked="" type="checkbox"/> Receiver #1	<input checked="" type="checkbox"/> Receiver #3
	<input checked="" type="checkbox"/> Receiver #2	<input checked="" type="checkbox"/> Receiver #4
002 – Partition 7 Tamper/ Restore:	<input checked="" type="checkbox"/> Receiver #1	<input checked="" type="checkbox"/> Receiver #3
	<input checked="" type="checkbox"/> Receiver #2	<input checked="" type="checkbox"/> Receiver #4
003 – Partition 7 Opening/ Closing:	<input type="checkbox"/> Receiver #1	<input type="checkbox"/> Receiver #3
	<input type="checkbox"/> Receiver #2	<input type="checkbox"/> Receiver #4
[318] Partition 8 Call Directions		
001 – Partition 8 Alarm/ Restore:	<input checked="" type="checkbox"/> Receiver #1	<input checked="" type="checkbox"/> Receiver #3
	<input checked="" type="checkbox"/> Receiver #2	<input checked="" type="checkbox"/> Receiver #4

002 – Partition 8 Tamper/ Restore:	<input checked="" type="checkbox"/> Receiver #1	<input checked="" type="checkbox"/> Receiver #3
	<input checked="" type="checkbox"/> Receiver #2	<input checked="" type="checkbox"/> Receiver #4
003 – Partition 8 Opening/ Closing:	<input type="checkbox"/> Receiver #1	<input type="checkbox"/> Receiver #3
	<input type="checkbox"/> Receiver #2	<input type="checkbox"/> Receiver #4
[319] Partition 9 Call Directions		
001 – Partition 9 Alarm/ Restore:	<input checked="" type="checkbox"/> Receiver #1	<input checked="" type="checkbox"/> Receiver #3
	<input checked="" type="checkbox"/> Receiver #2	<input checked="" type="checkbox"/> Receiver #4
002 – Partition 9 Tamper/ Restore:	<input checked="" type="checkbox"/> Receiver #1	<input checked="" type="checkbox"/> Receiver #3
	<input checked="" type="checkbox"/> Receiver #2	<input checked="" type="checkbox"/> Receiver #4
003 – Partition 9 Opening/ Closing:	<input type="checkbox"/> Receiver #1	<input type="checkbox"/> Receiver #3
	<input type="checkbox"/> Receiver #2	<input type="checkbox"/> Receiver #4
[320] Partition 10 Call Directions		
001 – Partition 10 Alarm/ Restore:	<input checked="" type="checkbox"/> Receiver #1	<input checked="" type="checkbox"/> Receiver #3
	<input checked="" type="checkbox"/> Receiver #2	<input checked="" type="checkbox"/> Receiver #4
002 – Partition 10 Tamper/ Restore:	<input checked="" type="checkbox"/> Receiver #1	<input checked="" type="checkbox"/> Receiver #3
	<input checked="" type="checkbox"/> Receiver #2	<input checked="" type="checkbox"/> Receiver #4
003 – Partition 10 Opening/ Closing:	<input type="checkbox"/> Receiver #1	<input type="checkbox"/> Receiver #3
	<input type="checkbox"/> Receiver #2	<input type="checkbox"/> Receiver #4
[321] Partition 11 Call Directions		
001 – Partition 11 Alarm/ Restore:	<input checked="" type="checkbox"/> Receiver #1	<input checked="" type="checkbox"/> Receiver #3
	<input checked="" type="checkbox"/> Receiver #2	<input checked="" type="checkbox"/> Receiver #4
002 – Partition 11 Tamper/ Restore:	<input checked="" type="checkbox"/> Receiver #1	<input checked="" type="checkbox"/> Receiver #3
	<input checked="" type="checkbox"/> Receiver #2	<input checked="" type="checkbox"/> Receiver #4
003 – Partition 11 Opening/ Closing:	<input type="checkbox"/> Receiver #1	<input type="checkbox"/> Receiver #3
	<input type="checkbox"/> Receiver #2	<input type="checkbox"/> Receiver #4
[322] Partition 12 Call Directions		
001 – Partition 12 Alarm/ Restore:	<input checked="" type="checkbox"/> Receiver #1	<input checked="" type="checkbox"/> Receiver #3
	<input checked="" type="checkbox"/> Receiver #2	<input checked="" type="checkbox"/> Receiver #4
002 – Partition 12 Tamper/ Restore:	<input checked="" type="checkbox"/> Receiver #1	<input checked="" type="checkbox"/> Receiver #3
	<input checked="" type="checkbox"/> Receiver #2	<input checked="" type="checkbox"/> Receiver #4
003 – Partition 12 Opening/ Closing:	<input type="checkbox"/> Receiver #1	<input type="checkbox"/> Receiver #3

	<input type="checkbox"/> Receiver #2	<input type="checkbox"/> Receiver #4
[323] Partition 13 Call Directions		
001 – Partition 13 Alarm/ Restore:	<input checked="" type="checkbox"/> Receiver #1	<input checked="" type="checkbox"/> Receiver #3
	<input checked="" type="checkbox"/> Receiver #2	<input checked="" type="checkbox"/> Receiver #4
002 – Partition 13 Tamper/ Restore:	<input checked="" type="checkbox"/> Receiver #1	<input checked="" type="checkbox"/> Receiver #3
	<input checked="" type="checkbox"/> Receiver #2	<input checked="" type="checkbox"/> Receiver #4
003 – Partition 13 Opening/ Closing:	<input type="checkbox"/> Receiver #1	<input type="checkbox"/> Receiver #3
	<input type="checkbox"/> Receiver #2	<input type="checkbox"/> Receiver #4
[324] Partition 14 Call Directions		
001 – Partition 14 Alarm/ Restore:	<input checked="" type="checkbox"/> Receiver #1	<input checked="" type="checkbox"/> Receiver #3
	<input checked="" type="checkbox"/> Receiver #2	<input checked="" type="checkbox"/> Receiver #4
002 – Partition 14 Tamper/ Restore:	<input checked="" type="checkbox"/> Receiver #1	<input checked="" type="checkbox"/> Receiver #3
	<input checked="" type="checkbox"/> Receiver #2	<input checked="" type="checkbox"/> Receiver #4
003 – Partition 14 Opening/ Closing:	<input type="checkbox"/> Receiver #1	<input type="checkbox"/> Receiver #3
	<input type="checkbox"/> Receiver #2	<input type="checkbox"/> Receiver #4
[325] Partition 15 Call Directions		
001 – Partition 15 Alarm/ Restore:	<input checked="" type="checkbox"/> Receiver #1	<input checked="" type="checkbox"/> Receiver #3
	<input checked="" type="checkbox"/> Receiver #2	<input checked="" type="checkbox"/> Receiver #4
002 – Partition 15 Tamper/ Restore:	<input checked="" type="checkbox"/> Receiver #1	<input checked="" type="checkbox"/> Receiver #3
	<input checked="" type="checkbox"/> Receiver #2	<input checked="" type="checkbox"/> Receiver #4
003 – Partition 15 Opening/ Closing:	<input type="checkbox"/> Receiver #1	<input type="checkbox"/> Receiver #3
	<input type="checkbox"/> Receiver #2	<input type="checkbox"/> Receiver #4
[326] Partition 16 Call Directions		
001 – Partition 16 Alarm/ Restore:	<input checked="" type="checkbox"/> Receiver #1	<input checked="" type="checkbox"/> Receiver #3
	<input checked="" type="checkbox"/> Receiver #2	<input checked="" type="checkbox"/> Receiver #4
002 – Partition 16 Tamper/ Restore:	<input checked="" type="checkbox"/> Receiver #1	<input checked="" type="checkbox"/> Receiver #3
	<input checked="" type="checkbox"/> Receiver #2	<input checked="" type="checkbox"/> Receiver #4
003 – Partition 16 Opening/ Closing:	<input type="checkbox"/> Receiver #1	<input type="checkbox"/> Receiver #3
	<input type="checkbox"/> Receiver #2	<input type="checkbox"/> Receiver #4
[327] Partition 17 Call Directions		
001 – Partition 17 Alarm/ Restore:	<input checked="" type="checkbox"/> Receiver #1	<input checked="" type="checkbox"/> Receiver #3
	<input checked="" type="checkbox"/> Receiver #2	<input checked="" type="checkbox"/> Receiver #4

002 – Partition 17 Tamper/ Restore:	<input checked="" type="checkbox"/> Receiver #1	<input checked="" type="checkbox"/> Receiver #3
	<input checked="" type="checkbox"/> Receiver #2	<input checked="" type="checkbox"/> Receiver #4
003 – Partition 17 Opening/ Closing:	<input type="checkbox"/> Receiver #1	<input type="checkbox"/> Receiver #3
	<input type="checkbox"/> Receiver #2	<input type="checkbox"/> Receiver #4
[328] Partition 18 Call Directions		
001 – Partition 18 Alarm/ Restore:	<input checked="" type="checkbox"/> Receiver #1	<input checked="" type="checkbox"/> Receiver #3
	<input checked="" type="checkbox"/> Receiver #2	<input checked="" type="checkbox"/> Receiver #4
002 – Partition 18 Tamper/ Restore:	<input checked="" type="checkbox"/> Receiver #1	<input checked="" type="checkbox"/> Receiver #3
	<input checked="" type="checkbox"/> Receiver #2	<input checked="" type="checkbox"/> Receiver #4
003 – Partition 18 Opening/ Closing:	<input type="checkbox"/> Receiver #1	<input type="checkbox"/> Receiver #3
	<input type="checkbox"/> Receiver #2	<input type="checkbox"/> Receiver #4
[329] Partition 19 Call Directions		
001 – Partition 19 Alarm/ Restore:	<input checked="" type="checkbox"/> Receiver #1	<input checked="" type="checkbox"/> Receiver #3
	<input checked="" type="checkbox"/> Receiver #2	<input checked="" type="checkbox"/> Receiver #4
002 – Partition 19 Tamper/ Restore:	<input checked="" type="checkbox"/> Receiver #1	<input checked="" type="checkbox"/> Receiver #3
	<input checked="" type="checkbox"/> Receiver #2	<input checked="" type="checkbox"/> Receiver #4
003 – Partition 19 Opening/ Closing:	<input type="checkbox"/> Receiver #1	<input type="checkbox"/> Receiver #3
	<input type="checkbox"/> Receiver #2	<input type="checkbox"/> Receiver #4
[330] Partition 20 Call Directions		
001 – Partition 20 Alarm/ Restore:	<input checked="" type="checkbox"/> Receiver #1	<input checked="" type="checkbox"/> Receiver #3
	<input checked="" type="checkbox"/> Receiver #2	<input checked="" type="checkbox"/> Receiver #4
002 – Partition 20 Tamper/ Restore:	<input checked="" type="checkbox"/> Receiver #1	<input checked="" type="checkbox"/> Receiver #3
	<input checked="" type="checkbox"/> Receiver #2	<input checked="" type="checkbox"/> Receiver #4
003 – Partition 20 Opening/ Closing:	<input type="checkbox"/> Receiver #1	<input type="checkbox"/> Receiver #3
	<input type="checkbox"/> Receiver #2	<input type="checkbox"/> Receiver #4
[331] Partition 21 Call Directions		
001 – Partition 21 Alarm/ Restore:	<input checked="" type="checkbox"/> Receiver #1	<input checked="" type="checkbox"/> Receiver #3
	<input checked="" type="checkbox"/> Receiver #2	<input checked="" type="checkbox"/> Receiver #4
002 – Partition 21 Tamper/ Restore:	<input checked="" type="checkbox"/> Receiver #1	<input checked="" type="checkbox"/> Receiver #3
	<input checked="" type="checkbox"/> Receiver #2	<input checked="" type="checkbox"/> Receiver #4
003 – Partition 21 Opening/ Closing:	<input type="checkbox"/> Receiver #1	<input type="checkbox"/> Receiver #3

	<input type="checkbox"/> Receiver #2	<input type="checkbox"/> Receiver #4
[332] Partition 22 Call Directions		
001 – Partition 22 Alarm/ Restore:	<input checked="" type="checkbox"/> Receiver #1	<input checked="" type="checkbox"/> Receiver #3
	<input checked="" type="checkbox"/> Receiver #2	<input checked="" type="checkbox"/> Receiver #4
002 – Partition 22 Tamper/ Restore:	<input checked="" type="checkbox"/> Receiver #1	<input checked="" type="checkbox"/> Receiver #3
	<input checked="" type="checkbox"/> Receiver #2	<input checked="" type="checkbox"/> Receiver #4
003 – Partition 22 Opening/ Closing:	<input type="checkbox"/> Receiver #1	<input type="checkbox"/> Receiver #3
	<input type="checkbox"/> Receiver #2	<input type="checkbox"/> Receiver #4
[333] Partition 23 Call Directions		
001 – Partition 23 Alarm/ Restore:	<input checked="" type="checkbox"/> Receiver #1	<input checked="" type="checkbox"/> Receiver #3
	<input checked="" type="checkbox"/> Receiver #2	<input checked="" type="checkbox"/> Receiver #4
002 – Partition 23 Tamper/ Restore:	<input checked="" type="checkbox"/> Receiver #1	<input checked="" type="checkbox"/> Receiver #3
	<input checked="" type="checkbox"/> Receiver #2	<input checked="" type="checkbox"/> Receiver #4
003 – Partition 23 Opening/ Closing:	<input type="checkbox"/> Receiver #1	<input type="checkbox"/> Receiver #3
	<input type="checkbox"/> Receiver #2	<input type="checkbox"/> Receiver #4
[334] Partition 24 Call Directions		
001 – Partition 24 Alarm/ Restore:	<input checked="" type="checkbox"/> Receiver #1	<input checked="" type="checkbox"/> Receiver #3
	<input checked="" type="checkbox"/> Receiver #2	<input checked="" type="checkbox"/> Receiver #4
002 – Partition 24 Tamper/ Restore:	<input checked="" type="checkbox"/> Receiver #1	<input checked="" type="checkbox"/> Receiver #3
	<input checked="" type="checkbox"/> Receiver #2	<input checked="" type="checkbox"/> Receiver #4
003 – Partition 24 Opening/ Closing:	<input type="checkbox"/> Receiver #1	<input type="checkbox"/> Receiver #3
	<input type="checkbox"/> Receiver #2	<input type="checkbox"/> Receiver #4
[335] Partition 25 Call Directions		
001 – Partition 25 Alarm/ Restore:	<input checked="" type="checkbox"/> Receiver #1	<input checked="" type="checkbox"/> Receiver #3
	<input checked="" type="checkbox"/> Receiver #2	<input checked="" type="checkbox"/> Receiver #4
002 – Partition 25 Tamper/ Restore:	<input checked="" type="checkbox"/> Receiver #1	<input checked="" type="checkbox"/> Receiver #3
	<input checked="" type="checkbox"/> Receiver #2	<input checked="" type="checkbox"/> Receiver #4
003 – Partition 25 Opening/ Closing:	<input type="checkbox"/> Receiver #1	<input type="checkbox"/> Receiver #3
	<input type="checkbox"/> Receiver #2	<input type="checkbox"/> Receiver #4
[336] Partition 26 Call Directions		
001 – Partition 26 Alarm/ Restore:	<input checked="" type="checkbox"/> Receiver #1	<input checked="" type="checkbox"/> Receiver #3
	<input checked="" type="checkbox"/> Receiver #2	<input checked="" type="checkbox"/> Receiver #4

002 – Partition 26 Tamper/ Restore:	<input checked="" type="checkbox"/> Receiver #1	<input checked="" type="checkbox"/> Receiver #3
	<input checked="" type="checkbox"/> Receiver #2	<input checked="" type="checkbox"/> Receiver #4
003 – Partition 26 Opening/ Closing:	<input type="checkbox"/> Receiver #1	<input type="checkbox"/> Receiver #3
	<input type="checkbox"/> Receiver #2	<input type="checkbox"/> Receiver #4
[337] Partition 27 Call Directions		
001 – Partition 27 Alarm/ Restore:	<input checked="" type="checkbox"/> Receiver #1	<input checked="" type="checkbox"/> Receiver #3
	<input checked="" type="checkbox"/> Receiver #2	<input checked="" type="checkbox"/> Receiver #4
002 – Partition 27 Tamper/ Restore:	<input checked="" type="checkbox"/> Receiver #1	<input checked="" type="checkbox"/> Receiver #3
	<input checked="" type="checkbox"/> Receiver #2	<input checked="" type="checkbox"/> Receiver #4
003 – Partition 27 Opening/ Closing:	<input type="checkbox"/> Receiver #1	<input type="checkbox"/> Receiver #3
	<input type="checkbox"/> Receiver #2	<input type="checkbox"/> Receiver #4
[338] Partition 28 Call Directions		
001 – Partition 28 Alarm/ Restore:	<input checked="" type="checkbox"/> Receiver #1	<input checked="" type="checkbox"/> Receiver #3
	<input checked="" type="checkbox"/> Receiver #2	<input checked="" type="checkbox"/> Receiver #4
002 – Partition 28 Tamper/ Restore:	<input checked="" type="checkbox"/> Receiver #1	<input checked="" type="checkbox"/> Receiver #3
	<input checked="" type="checkbox"/> Receiver #2	<input checked="" type="checkbox"/> Receiver #4
003 – Partition 28 Opening/ Closing:	<input type="checkbox"/> Receiver #1	<input type="checkbox"/> Receiver #3
	<input type="checkbox"/> Receiver #2	<input type="checkbox"/> Receiver #4
[339] Partition 29 Call Directions		
001 – Partition 29 Alarm/ Restore:	<input checked="" type="checkbox"/> Receiver #1	<input checked="" type="checkbox"/> Receiver #3
	<input checked="" type="checkbox"/> Receiver #2	<input checked="" type="checkbox"/> Receiver #4
002 – Partition 29 Tamper/ Restore:	<input checked="" type="checkbox"/> Receiver #1	<input checked="" type="checkbox"/> Receiver #3
	<input checked="" type="checkbox"/> Receiver #2	<input checked="" type="checkbox"/> Receiver #4
003 – Partition 29 Opening/ Closing:	<input type="checkbox"/> Receiver #1	<input type="checkbox"/> Receiver #3
	<input type="checkbox"/> Receiver #2	<input type="checkbox"/> Receiver #4
[340] Partition 30 Call Directions		
001 – Partition 30 Alarm/ Restore:	<input checked="" type="checkbox"/> Receiver #1	<input checked="" type="checkbox"/> Receiver #3
	<input checked="" type="checkbox"/> Receiver #2	<input checked="" type="checkbox"/> Receiver #4
002 – Partition 30 Tamper/ Restore:	<input checked="" type="checkbox"/> Receiver #1	<input checked="" type="checkbox"/> Receiver #3
	<input checked="" type="checkbox"/> Receiver #2	<input checked="" type="checkbox"/> Receiver #4
003 – Partition 30 Opening/ Closing:	<input type="checkbox"/> Receiver #1	<input type="checkbox"/> Receiver #3

	<input type="checkbox"/> Receiver #2	<input type="checkbox"/> Receiver #4
[341] Partition 31 Call Directions		
001 – Partition 31 Alarm/ Restore:	<input checked="" type="checkbox"/> Receiver #1	<input checked="" type="checkbox"/> Receiver #3
	<input checked="" type="checkbox"/> Receiver #2	<input checked="" type="checkbox"/> Receiver #4
002 – Partition 31 Tamper/ Restore:	<input checked="" type="checkbox"/> Receiver #1	<input checked="" type="checkbox"/> Receiver #3
	<input checked="" type="checkbox"/> Receiver #2	<input checked="" type="checkbox"/> Receiver #4
003 – Partition 31 Opening/ Closing:	<input type="checkbox"/> Receiver #1	<input type="checkbox"/> Receiver #3
	<input type="checkbox"/> Receiver #2	<input type="checkbox"/> Receiver #4
[342] Partition 32 Call Directions		
001 – Partition 32 Alarm/ Restore:	<input checked="" type="checkbox"/> Receiver #1	<input checked="" type="checkbox"/> Receiver #3
	<input checked="" type="checkbox"/> Receiver #2	<input checked="" type="checkbox"/> Receiver #4
002 – Partition 32 Tamper/ Restore:	<input checked="" type="checkbox"/> Receiver #1	<input checked="" type="checkbox"/> Receiver #3
	<input checked="" type="checkbox"/> Receiver #2	<input checked="" type="checkbox"/> Receiver #4
003 – Partition 32 Opening/ Closing:	<input type="checkbox"/> Receiver #1	<input type="checkbox"/> Receiver #3
	<input type="checkbox"/> Receiver #2	<input type="checkbox"/> Receiver #4
[350] Communicator Formats		
Description on [350] Communicator Formats		
(2-Digit decimal)	001 – Receiver 1:	003 – Receiver 3:
Range: 03= Contact ID, 04= SIA (Default)	002 – Receiver 2:	004 – Receiver 4:

[377] Communication Variables	
(3-digit decimal)	
Range: 000-255 attempts unless otherwise noted	
Description on [377] Communication Variables	
001 – Swinger Shutdown Attempts:	Alarms and Restore (000-014):
Default: 003	Tampers and Restore:
<input type="checkbox"/> CP-01 Default: 002	Maintenance and Restore:
002 – Communication Delays:	Communication Zone Delay
	Default: 000 <input type="checkbox"/> CP-01 Default: 030
	AC Failure Communication Delay
	Default: 030 minutes/Hours

	TLM Trouble Delay <input type="checkbox"/> NA Default: 010 checks <input type="checkbox"/> EN Default:002 checks
	Wireless Zone Low Bat. Transmission Delay Default: 0000 days/hours
	Delinquency Transmission Cycle Delay Default: 030 days/hours
	Communications Cancel Window Default: 000 minutes <input type="checkbox"/> CP-01 Default: 005 minutes
003 – Periodic Test Transmission Cycle (Default: 030 hours/days): Note: For UL installations, the periodic test transmissions default is 07 days.	
004 – Periodic Test Transmission Time of Day (Default: 9999):	
011 – Maximum Dialing Attempts: (Default: 005):	
012 – Delay Between PSTN Attempts: (Default: 003 seconds):	
013 – Delay Between Force Attempts: (Default: 020 seconds):	
014 – Post Dial Wait for Handshake: (Range: 001-255; Default: 040 Seconds; UL=45):	
015 – IP/Cellular Wait for Ack: (Range: 001-255; Default: 060 seconds):	
016 – IP/Cellular Fault Check Timer: (Range: 003-255; Default: 010):	
[380] Communicator Option 1	
Description on [380] Communicator Option 1	1 – <input checked="" type="checkbox"/> Communications Enabled
	2 – <input type="checkbox"/> Restore on Bell Time-out
	3 – <input type="checkbox"/> Pulse Dialing
	4 – <input type="checkbox"/> Pulse Dial after 5th Attempt
	5 – <input type="checkbox"/> Parallel Communications
<input type="checkbox"/> NA	6 – <input type="checkbox"/> Alternate Dial
<input type="checkbox"/> EN	6 – <input checked="" type="checkbox"/> Alternate Dial
	7 – <input type="checkbox"/> Reduced Dialing Attempts
	8 – <input type="checkbox"/> Activity Delinquency
[381] Communicator Option 2	
Description on [381] Communicator Option 2	1 – <input type="checkbox"/> Keypad Ringback
	2 – <input type="checkbox"/> Bell Ringback
	4 – <input type="checkbox"/> Closing Confirmation

	8 - <input type="checkbox"/> Communications Priority Options
[382] Communicator Option 3	
Description on [383] Communicator Option 4	1 - <input type="checkbox"/> Test Transmission Receiver
	2 - <input type="checkbox"/> Walk Test Communication
	4 - <input type="checkbox"/> Call Waiting Cancel
	5 - <input type="checkbox"/> Alarm.com Enable/Disable
	6 - <input type="checkbox"/> AC Failure Communication Delay in Hours
	8 - <input type="checkbox"/> Tamper Limit
[383] Communicator Option 4	
Description on [383] Communicator Option 4	1 - <input type="checkbox"/> Phone Number Account Code
	2 - <input type="checkbox"/> 6-Digit Account Code
	3 - <input type="checkbox"/> Ethernet Enable
	4 - <input type="checkbox"/> Cellular Enable
	5 - <input type="checkbox"/> Communicate FTC Events
[384] Communicator Backup Options	
Description on [384] Communicator Backup Options	2 - <input checked="" type="checkbox"/> Backup Options - Receiver 2
	3 - <input type="checkbox"/> Backup Options - Receiver 3
	4 - <input type="checkbox"/> Backup Options - Receiver 4
[385] Audio Module Talk/Listen Mask	
Description on [385] Audio Module Talk\Listen Mask	1 - <input type="checkbox"/> Talk/Listen on Receiver 1
	2 - <input type="checkbox"/> Talk/Listen on Receiver 2
	3 - <input type="checkbox"/> Talk/Listen on Receiver 3
	4 - <input type="checkbox"/> Talk/Listen on Receiver 4

DLS Programming

[401] DLS/SA Options	
Description on [401] DLS/SA Options	
	1 - <input type="checkbox"/> Double Call
	2 - <input checked="" type="checkbox"/> User Enables DLS
	3 - <input type="checkbox"/> DLS Callback
	4 - <input type="checkbox"/> User Call up
	6 - <input type="checkbox"/> Panel Call up and Baud Rate
	7 - <input checked="" type="checkbox"/> Alt. Comm. DLS

[402] PSTN DLS Phone Number Programming	
Description on [402] PSTN DLS Phone Number Programming	
(31-digit phone number; Default: DFFFFFFFFFFFFFFFFFFFFFFFFFFFFFFF):	
[403] DLS Access Code	
Description on [403] DLS Access Code	
(6-digit hex; 000000-FFFFFF; Default: 212800):	
[404] DLS/SA Panel ID	
Description on [404] DLS/SA Panel ID	
(12-digit hex; 000000000000-FFFFFFFFFFFF)	
[405] PSTN Double Call Timer	
Description on [405] PSTN Double Call Timer	
(3-decimal; 000-255; Default: 060):	
[406] PSTN Number of Rings to Answer On	
Description on [406] PSTN Number of Rings to Answer On	
(3-decimal; 000-255; Default 000):	
[407] SA Access Code	
Description on [407] SA Access Code	
(6-digit hex; 000000-FFFFFF; Default: FFFFFFFF):	
[410] Automatic DLS Options	
Description on [410] Automatic DLS/SA Options	
001 – Auto DLS Options	1 – <input type="checkbox"/> Periodic DLS
	3 – <input type="checkbox"/> DLS / Event Buffer 75% Full
	8 – <input type="checkbox"/> DLS on Programming Change
002 – Periodic DLS Days (3-digit decimal; 000-255; Default: 000 days):	
003 – Periodic DLS Time (4-digit decimal; HH:MM; 0000-2359; Default: 0000):	
007 – Delay Call Window Start (4-digit decimal; 0000-2359; HH:MM)	1 – 0000 Delay Call Window Start
Default: 0000	2 – 0000 Delay Call Window End

Virtual Inputs

[560] Virtual Inputs		
(3 digit decimal)	001 - Virtual Input 1:	017 - Virtual Input 17:
Description on Virtual Inputs	002 - Virtual Input 2:	018 - Virtual Input 18:
Default: 000	003 - Virtual Input 3:	019 - Virtual Input 19:
	004 - Virtual Input 4:	020 - Virtual Input 20:
	005 - Virtual Input 5:	021 - Virtual Input 21:

	006 - Virtual Input 6:	022 - Virtual Input 22:
	007 - Virtual Input 7:	023 - Virtual Input 23:
	008 - Virtual Input 8:	024 - Virtual Input 24:
	009 - Virtual Input 9:	025 - Virtual Input 25:
	010 - Virtual Input 10:	026 - Virtual Input 26:
	011 - Virtual Input 11:	027 - Virtual Input 27:
	012 - Virtual Input 12:	028 - Virtual Input 28:
	013 - Virtual Input 13:	029 - Virtual Input 29:
	014 - Virtual Input 14:	030 - Virtual Input 30:
	015 - Virtual Input 15:	031 - Virtual Input 31:
	016 - Virtual Input 16:	032 - Virtual Input 32:

Schedule Programming

[601] Programming Schedule 1			
Description on [601]-[604] Schedule labels			
	Interval 1	101 - Start Time:	102 - End Time:
		103 - Days Assignment:	104 - Holiday Assignment:
	(4- digit decimal)	01 - <input type="checkbox"/> Sunday	o Holiday 1
	HH:MM	02 - <input type="checkbox"/> Monday	o Holiday 2
	to HH:MM	03 - <input type="checkbox"/> Tuesday	o Holiday 3
	Default: 0000	04 - <input type="checkbox"/> Wednesday	o Holiday 4
		05 - <input type="checkbox"/> Thursday	
		06 - <input type="checkbox"/> Friday	
		07 - <input type="checkbox"/> Saturday	
	Interval 2	201 - Start Time:	202 - End Time:
		203 - Days Assignment:	204 - Holiday Assignment:
	(4- digit decimal)	01 - <input type="checkbox"/> Sunday	o Holiday 1
	HH:MM	02 - <input type="checkbox"/> Monday	o Holiday 2
	to HH:MM	03 - <input type="checkbox"/> Tuesday	o Holiday 3
	Default: 0000	04 - <input type="checkbox"/> Wednesday	o Holiday 4
		05 - <input type="checkbox"/> Thursday	
		06 - <input type="checkbox"/> Friday	
		07 - <input type="checkbox"/> Saturday	

	Interval 3	301 – Start Time:		302 – End Time:
		303 – Days Assignment:		304 – Holiday Assignment:
	(4- digit decimal)		01 – <input type="checkbox"/> Sunday	<input type="checkbox"/> Holiday 1
	HH:MM		02 – <input type="checkbox"/> Monday	<input type="checkbox"/> Holiday 2
	to HH:MM		03 – <input type="checkbox"/> Tuesday	<input type="checkbox"/> Holiday 3
	Default: 0000		04 – <input type="checkbox"/> Wednesday	<input type="checkbox"/> Holiday 4
			05 – <input type="checkbox"/> Thursday	
			06 – <input type="checkbox"/> Friday	
			07 – <input type="checkbox"/> Saturday	
	Interval 4	401 – Start Time:		402 – End Time:
		403 – Days Assignment:		404 – Holiday Assignment:
	(4- digit decimal)		01 – <input type="checkbox"/> Sunday	<input type="checkbox"/> Holiday 1
	HH:MM		02 – <input type="checkbox"/> Monday	<input type="checkbox"/> Holiday 2
	to HH:MM		03 – <input type="checkbox"/> Tuesday	<input type="checkbox"/> Holiday 3
	Default: 0000		04 – <input type="checkbox"/> Wednesday	<input type="checkbox"/> Holiday 4
			05 – <input type="checkbox"/> Thursday	
			06 – <input type="checkbox"/> Friday	
			07 – <input type="checkbox"/> Saturday	
[602] Programming Schedule 2				
	Interval 1	101 – Start Time:		102 – End Time:
		103 – Days Assignment:		104 – Holiday Assignment:
	(4- digit decimal)		01 – <input type="checkbox"/> Sunday	<input type="checkbox"/> Holiday 1
	HH:MM		02 – <input type="checkbox"/> Monday	<input type="checkbox"/> Holiday 2
	to HH:MM		03 – <input type="checkbox"/> Tuesday	<input type="checkbox"/> Holiday 3
	Default: 0000		04 – <input type="checkbox"/> Wednesday	<input type="checkbox"/> Holiday 4
			05 – <input type="checkbox"/> Thursday	
			06 – <input type="checkbox"/> Friday	
			07 – <input type="checkbox"/> Saturday	
	Interval 2	201 – Start Time:		202 – End Time:
		203 – Days Assignment:		204 – Holiday Assignment:
	(4- digit decimal)		01 – <input type="checkbox"/> Sunday	<input type="checkbox"/> Holiday 1
	HH:MM		02 – <input type="checkbox"/> Monday	<input type="checkbox"/> Holiday 2
	to HH:MM		03 – <input type="checkbox"/> Tuesday	<input type="checkbox"/> Holiday 3

	Default: 0000		04 - <input type="checkbox"/> Wednesday	o Holiday 4
			05 - <input type="checkbox"/> Thursday	
			06 - <input type="checkbox"/> Friday	
			07 - <input type="checkbox"/> Saturday	
	Interval 3	301 - Start Time:		302 - End Time:
		303 - Days Assignment:		304 - Holiday Assignment:
	(4- digit decimal)		01 - <input type="checkbox"/> Sunday	o Holiday 1
	HH:MM		02 - <input type="checkbox"/> Monday	o Holiday 2
	to HH:MM		03 - <input type="checkbox"/> Tuesday	o Holiday 3
	Default: 0000		04 - <input type="checkbox"/> Wednesday	o Holiday 4
			05 - <input type="checkbox"/> Thursday	
			06 - <input type="checkbox"/> Friday	
			07 - <input type="checkbox"/> Saturday	
	Interval 4	401 - Start Time:		402 - End Time:
		403 - Days Assignment:		404 - Holiday Assignment:
	(4- digit decimal)		01 - <input type="checkbox"/> Sunday	o Holiday 1
	HH:MM		02 - <input type="checkbox"/> Monday	o Holiday 2
	to HH:MM		03 - <input type="checkbox"/> Tuesday	o Holiday 3
	Default: 0000		04 - <input type="checkbox"/> Wednesday	o Holiday 4
			05 - <input type="checkbox"/> Thursday	
			06 - <input type="checkbox"/> Friday	
			07 - <input type="checkbox"/> Saturday	
[603] Programming Schedule 3				
	Interval 1	101 - Start Time:		102 - End Time:
		103 - Days Assignment:		104 - Holiday Assignment:
	(4- digit decimal)		01 - <input type="checkbox"/> Sunday	o Holiday 1
	HH:MM		02 - <input type="checkbox"/> Monday	o Holiday 2
	to HH:MM		03 - <input type="checkbox"/> Tuesday	o Holiday 3
	Default: 0000		04 - <input type="checkbox"/> Wednesday	o Holiday 4
			05 - <input type="checkbox"/> Thursday	
			06 - <input type="checkbox"/> Friday	
			07 - <input type="checkbox"/> Saturday	
	Interval 2	201 - Start Time:		202 - End Time:

		203 – Days Assignment:	204 – Holiday Assignment:
	(4- digit decimal)	01 – <input type="checkbox"/> Sunday	o Holiday 1
	HH:MM	02 – <input type="checkbox"/> Monday	o Holiday 2
	to HH:MM	03 – <input type="checkbox"/> Tuesday	o Holiday 3
	Default: 0000	04 – <input type="checkbox"/> Wednesday	o Holiday 4
		05 – <input type="checkbox"/> Thursday	
		06 – <input type="checkbox"/> Friday	
		07 – <input type="checkbox"/> Saturday	
	Interval 3	301 – Start Time:	302 – End Time:
		303 – Days Assignment:	304 – Holiday Assignment:
	(4- digit decimal)	01 – <input type="checkbox"/> Sunday	o Holiday 1
	HH:MM	02 – <input type="checkbox"/> Monday	o Holiday 2
	to HH:MM	03 – <input type="checkbox"/> Tuesday	o Holiday 3
	Default: 0000	04 – <input type="checkbox"/> Wednesday	o Holiday 4
		05 – <input type="checkbox"/> Thursday	
		06 – <input type="checkbox"/> Friday	
		07 – <input type="checkbox"/> Saturday	
	Interval 4	401 – Start Time:	402 – End Time:
		403 – Days Assignment:	404 – Holiday Assignment:
	(4- digit decimal)	01 – <input type="checkbox"/> Sunday	o Holiday 1
	HH:MM	02 – <input type="checkbox"/> Monday	o Holiday 2
	to HH:MM	03 – <input type="checkbox"/> Tuesday	o Holiday 3
	Default: 0000	04 – <input type="checkbox"/> Wednesday	o Holiday 4
		05 – <input type="checkbox"/> Thursday	
		06 – <input type="checkbox"/> Friday	
		07 – <input type="checkbox"/> Saturday	
[604] Programming Schedule 4			
	Interval 1	101 – Start Time:	102 – End Time:
		103 – Days Assignment:	104 – Holiday Assignment:
	(4- digit decimal)	01 – <input type="checkbox"/> Sunday	o Holiday 1
	HH:MM to HH:MM	02 – <input type="checkbox"/> Monday	o Holiday 2
	Default: 0000	03 – <input type="checkbox"/> Tuesday	o Holiday 3
		04 – <input type="checkbox"/> Wednesday	o Holiday 4

			05 - <input type="checkbox"/> Thursday	
			06 - <input type="checkbox"/> Friday	
			07 - <input type="checkbox"/> Saturday	
	Interval 2	201 - Start Time:		202 - End Time:
		203 - Days Assignment:		204 - Holiday Assignment:
	(4- digit decimal)		01 - <input type="checkbox"/> Sunday	o Holiday 1
	HH:MM to HH:MM		02 - <input type="checkbox"/> Monday	o Holiday 2
	Default: 0000		03 - <input type="checkbox"/> Tuesday	o Holiday 3
			04 - <input type="checkbox"/> Wednesday	o Holiday 4
			05 - <input type="checkbox"/> Thursday	
			06 - <input type="checkbox"/> Friday	
			07 - <input type="checkbox"/> Saturday	
	Interval 3	301 - Start Time:		302 - End Time:
		303 - Days Assignment:		304 - Holiday Assignment:
	(4- digit decimal)		01 - <input type="checkbox"/> Sunday	o Holiday 1
	HH:MM to HH:MM		02 - <input type="checkbox"/> Monday	o Holiday 2
	Default: 0000		03 - <input type="checkbox"/> Tuesday	o Holiday 3
			04 - <input type="checkbox"/> Wednesday	o Holiday 4
			05 - <input type="checkbox"/> Thursday	
			06 - <input type="checkbox"/> Friday	
			07 - <input type="checkbox"/> Saturday	
	Interval 4	401 - Start Time:		402 - End Time:
		403 - Days Assignment:		404 - Holiday Assignment:
	(4- digit decimal)		01 - <input type="checkbox"/> Sunday	o Holiday 1
	HH:MM to HH:MM		02 - <input type="checkbox"/> Monday	o Holiday 2
	Default: 0000		03 - <input type="checkbox"/> Tuesday	o Holiday 3
			04 - <input type="checkbox"/> Wednesday	o Holiday 4
			05 - <input type="checkbox"/> Thursday	
			06 - <input type="checkbox"/> Friday	
			07 - <input type="checkbox"/> Saturday	
[711] Holiday Group 1				
(6-Digit Decimal)	001 - Holiday Group 1 Date 1:			
MMDDYY	002 - Holiday Group 1 Date 2:			
Default: 000000	003 - Holiday Group 1 Date 3:			

	004 – Holiday Group 1 Date 4:
	005 – Holiday Group 1 Date 5:
Description on [711]-[714] Holiday Schedules	006 – Holiday Group 1 Date 6:
	007 – Holiday Group 1 Date 7:
	008 – Holiday Group 1 Date 8:
	009-099 – Holiday Group 1 Date 9-99:
[712] Holiday Group 2	
(6-Digit Decimal)	001 – Holiday Group 2 Date 1:
MMDDYY	002 – Holiday Group 2 Date 2:
Default: 000000	003 – Holiday Group 2 Date 3:
Description on [711]-[714] Holiday Schedules	004 – Holiday Group 2 Date 4:
	005 – Holiday Group 2 Date 5:
	006 – Holiday Group 2 Date 6:
	007 – Holiday Group 2 Date 7:
	008 – Holiday Group 2 Date 8:
	009-099 – Holiday Group 2 Date 9-99:
[713] Holiday Group 3	
(6-Digit Decimal)	001 – Holiday Group 3 Date 1:
MMDDYY	002 – Holiday Group 3 Date 2:
Default: 000000	003 – Holiday Group 3 Date 3:
	004 – Holiday Group 3 Date 4:
Description on [711]-[714] Holiday Schedules	005 – Holiday Group 3 Date 5:
	006 – Holiday Group 3 Date 6:
	007 – Holiday Group 3 Date 7:
	008 – Holiday Group 3 Date 8:
	009-099 – Holiday Group 3 Date 9-99:
[714] Holiday Group 4	
(6-Digit Decimal)	001 – Holiday Group 4 Date 1:
MMDDYY	002 – Holiday Group 4 Date 2:
Default: 000000	003 – Holiday Group 4 Date 3:
	004 – Holiday Group 4 Date 4:
	005 – Holiday Group 4 Date 5:
Description on [711]-[714] Holiday Schedules	006 – Holiday Group 4 Date 6:

	007 – Holiday Group 4 Date 7:
	008 – Holiday Group 4 Date 8:
	009-099 – Holiday Group 4 Date 9-99:

Audio Module Programming

[802] Audio Module Programming	
2-digit entry	
00= No station assigned	
01 - 04 for audio stations 1-4	
Default: 00	
001	Zone 1 Station Assignment:
002	Zone 2 Station Assignment:
003	Zone 3 Station Assignment:
004	Zone 4 Station Assignment:
005	Zone 5 Station Assignment:
006	Zone 6 Station Assignment:
007	Zone 7 Station Assignment:
008	Zone 8 Station Assignment:
009	Zone 9 Station Assignment:
010	Zone 10 Station Assignment:
011	Zone 11 Station Assignment:
012	Zone 12 Station Assignment:
013	Zone 13 Station Assignment:
014	Zone 14 Station Assignment:
015	Zone 15 Station Assignment:
016	Zone 16 Station Assignment:
017	Zone 17 Station Assignment:
018	Zone 18 Station Assignment:
019	Zone 19 Station Assignment:
020	Zone 20 Station Assignment:
021	Zone 21 Station Assignment:
022	Zone 22 Station Assignment:
023	Zone 23 Station Assignment:
024	Zone 24 Station Assignment:
025	Zone 25 Station Assignment:
026	Zone 26 Station Assignment:
027	Zone 27 Station Assignment:
028	Zone 28 Station Assignment:

029	Zone 29 Station Assignment:
030	Zone 30 Station Assignment:
031	Zone 31 Station Assignment:
032	Zone 32 Station Assignment:
033	Zone 33 Station Assignment:
034	Zone 34 Station Assignment:
035	Zone 35 Station Assignment:
036	Zone 36 Station Assignment:
037	Zone 37 Station Assignment:
038	Zone 38 Station Assignment:
039	Zone 39 Station Assignment:
040	Zone 40 Station Assignment:
041	Zone 41 Station Assignment:
042	Zone 42 Station Assignment:
043	Zone 43 Station Assignment:
044	Zone 44 Station Assignment:
045	Zone 45 Station Assignment:
046	Zone 46 Station Assignment:
047	Zone 47 Station Assignment:
048	Zone 48 Station Assignment:
049	Zone 49 Station Assignment:
050	Zone 50 Station Assignment:
051	Zone 51 Station Assignment:
052	Zone 52 Station Assignment:
053	Zone 53 Station Assignment:
054	Zone 54 Station Assignment:
055	Zone 55 Station Assignment:
056	Zone 56 Station Assignment:
057	Zone 57 Station Assignment:
058	Zone 58 Station Assignment:
059	Zone 59 Station Assignment:
060	Zone 60 Station Assignment:
061	Zone 61 Station Assignment:
062	Zone 62 Station Assignment:
063	Zone 63 Station Assignment:
064	Zone 64 Station Assignment:
065	Zone 65 Station Assignment:
066	Zone 66 Station Assignment:
067	Zone 67 Station Assignment:
068	Zone 68 Station Assignment:
069	Zone 69 Station Assignment:

070	Zone 70 Station Assignment:
071	Zone 71 Station Assignment:
072	Zone 72 Station Assignment:
073	Zone 73 Station Assignment:
074	Zone 74 Station Assignment:
075	Zone 75 Station Assignment:
076	Zone 76 Station Assignment:
077	Zone 77 Station Assignment:
078	Zone 78 Station Assignment:
079	Zone 79 Station Assignment:
080	Zone 80 Station Assignment:
081	Zone 81 Station Assignment:
082	Zone 82 Station Assignment:
083	Zone 83 Station Assignment:
084	Zone 84 Station Assignment:
085	Zone 85 Station Assignment:
086	Zone 86 Station Assignment:
087	Zone 87 Station Assignment:
088	Zone 88 Station Assignment:
089	Zone 89 Station Assignment:
090	Zone 90 Station Assignment:
091	Zone 91 Station Assignment:
092	Zone 92 Station Assignment:
093	Zone 93 Station Assignment:
094	Zone 94 Station Assignment:
095	Zone 95 Station Assignment:
096	Zone 96 Station Assignment:
097	Zone 97 Station Assignment:
098	Zone 98 Station Assignment:
099	Zone 99 Station Assignment:
100	Zone 100 Station Assignment:
101	Zone 101 Station Assignment:
102	Zone 102 Station Assignment:
103	Zone 103 Station Assignment:
104	Zone 104 Station Assignment:
105	Zone 105 Station Assignment:
106	Zone 106 Station Assignment:
107	Zone 107 Station Assignment:
108	Zone 108 Station Assignment:
109	Zone 109 Station Assignment:
110	Zone 110 Station Assignment:

111	Zone 111 Station Assignment:
112	Zone 112 Station Assignment:
113	Zone 113 Station Assignment:
114	Zone 114 Station Assignment:
115	Zone 115 Station Assignment:
116	Zone 116 Station Assignment:
117	Zone 117 Station Assignment:
118	Zone 118 Station Assignment:
119	Zone 119 Station Assignment:
120	Zone 120 Station Assignment:
121	Zone 121 Station Assignment:
122	Zone 122 Station Assignment:
123	Zone 123 Station Assignment:
124	Zone 124 Station Assignment:
125	Zone 125 Station Assignment:
126	Zone 126 Station Assignment:
127	Zone 127 Station Assignment:
128	Zone 128 Station Assignment:
129	Zone 129 Station Assignment:
130	Zone 130 Station Assignment:
131	Zone 131 Station Assignment:
132	Zone 132 Station Assignment:
133	Zone 133 Station Assignment:
134	Zone 134 Station Assignment:
135	Zone 135 Station Assignment:
136	Zone 136 Station Assignment:
137	Zone 137 Station Assignment:
138	Zone 138 Station Assignment:
139	Zone 139 Station Assignment:
140	Zone 140 Station Assignment:
141	Zone 141 Station Assignment:
142	Zone 142 Station Assignment:
143	Zone 143 Station Assignment:
144	Zone 144 Station Assignment:
145	Zone 145 Station Assignment:
146	Zone 146 Station Assignment:
147	Zone 147 Station Assignment:
148	Zone 148 Station Assignment:
149	Zone 149 Station Assignment:
150	Zone 150 Station Assignment:
151	Zone 151 Station Assignment:

152	Zone 152 Station Assignment:
153	Zone 153 Station Assignment:
154	Zone 154 Station Assignment:
155	Zone 155 Station Assignment:
156	Zone 156 Station Assignment:
157	Zone 157 Station Assignment:
158	Zone 158 Station Assignment:
159	Zone 159 Station Assignment:
160	Zone 160 Station Assignment:
161	Zone 161 Station Assignment:
162	Zone 162 Station Assignment:
163	Zone 163 Station Assignment:
164	Zone 164 Station Assignment:
165	Zone 165 Station Assignment:
166	Zone 166 Station Assignment:
167	Zone 167 Station Assignment:
168	Zone 168 Station Assignment:
169	Zone 169 Station Assignment:
170	Zone 170 Station Assignment:
171	Zone 171 Station Assignment:
172	Zone 172 Station Assignment:
173	Zone 173 Station Assignment:
174	Zone 174 Station Assignment:
175	Zone 175 Station Assignment:
176	Zone 176 Station Assignment:
177	Zone 177 Station Assignment:
178	Zone 178 Station Assignment:
179	Zone 179 Station Assignment:
180	Zone 180 Station Assignment:
181	Zone 181 Station Assignment:
182	Zone 182 Station Assignment:
183	Zone 183 Station Assignment:
184	Zone 184 Station Assignment:
185	Zone 185 Station Assignment:
186	Zone 186 Station Assignment:
187	Zone 187 Station Assignment:
188	Zone 188 Station Assignment:
189	Zone 189 Station Assignment:
190	Zone 190 Station Assignment:
191	Zone 191 Station Assignment:
192	Zone 192 Station Assignment:

193	Zone 193 Station Assignment:
194	Zone 194 Station Assignment:
195	Zone 195 Station Assignment:
196	Zone 196 Station Assignment:
197	Zone 197 Station Assignment:
198	Zone 198 Station Assignment:
199	Zone 199 Station Assignment:
200	Zone 200 Station Assignment:
201	Zone 201 Station Assignment:
202	Zone 202 Station Assignment:
203	Zone 203 Station Assignment:
204	Zone 204 Station Assignment:
205	Zone 205 Station Assignment:
206	Zone 206 Station Assignment:
207	Zone 207 Station Assignment:
208	Zone 208 Station Assignment:
209	Zone 209 Station Assignment:
210	Zone 210 Station Assignment:
211	Zone 211 Station Assignment:
212	Zone 212 Station Assignment:
213	Zone 213 Station Assignment:
214	Zone 214 Station Assignment:
215	Zone 215 Station Assignment:
216	Zone 216 Station Assignment:
217	Zone 217 Station Assignment:
218	Zone 218 Station Assignment:
219	Zone 219 Station Assignment:
220	Zone 220 Station Assignment:
221	Zone 221 Station Assignment:
222	Zone 222 Station Assignment:
223	Zone 223 Station Assignment:
224	Zone 224 Station Assignment:
225	Zone 225 Station Assignment:
226	Zone 226 Station Assignment:
227	Zone 227 Station Assignment:
228	Zone 228 Station Assignment:
229	Zone 229 Station Assignment:
230	Zone 230 Station Assignment:
231	Zone 231 Station Assignment:
232	Zone 232 Station Assignment:
233	Zone 233 Station Assignment:

234	Zone 234 Station Assignment:
235	Zone 235 Station Assignment:
236	Zone 236 Station Assignment:
237	Zone 237 Station Assignment:
238	Zone 238 Station Assignment:
239	Zone 239 Station Assignment:
240	Zone 240 Station Assignment:
241	Zone 241 Station Assignment:
242	Zone 242 Station Assignment:
243	Zone 243 Station Assignment:
244	Zone 244 Station Assignment:
245	Zone 245 Station Assignment:
246	Zone 246 Station Assignment:
247	Zone 247 Station Assignment:
248	Zone 248 Station Assignment:

[802]		
600	2-Way Audio Trigger Option 1	1 - <input type="checkbox"/> Tamper 2 - <input type="checkbox"/> Future Use 3 - <input checked="" type="checkbox"/> [A] Key Alarm 4 - <input checked="" type="checkbox"/> [P] Key Alarm 5 - <input checked="" type="checkbox"/> Duress Alarm 6 - <input checked="" type="checkbox"/> Opening After Alarm 7 - <input type="checkbox"/> Future Use 8 - <input type="checkbox"/> Zone Supervision Alarm
603	2-Way Audio Control Option 1	1 - <input type="checkbox"/> Future Use 2 - <input checked="" type="checkbox"/> Listen to all zones / Listen to zones in alarm 3 - <input type="checkbox"/> Future Use 4 - <input type="checkbox"/> Siren Active During 2-Way Audio 5 - <input type="checkbox"/> Hang-Up Auto Detection 6 - <input type="checkbox"/> User Call-In 7 - <input type="checkbox"/> For Future Use 8 - <input checked="" type="checkbox"/> 2-Way Audio Initiated by CS

605	Record Options	1 - <input checked="" type="checkbox"/> Audio Capture Enable 2 - <input type="checkbox"/> Erase on FTC 3 - <input type="checkbox"/> Future Use 4 - <input type="checkbox"/> Future Use 5 - <input type="checkbox"/> Future Use 6 - <input type="checkbox"/> Future Use 7 - <input type="checkbox"/> Future Use 8 - <input type="checkbox"/> Future Use
606	Audio Station Record Control Option 1	1 - <input type="checkbox"/> Audio Station 1 Record 2 - <input type="checkbox"/> Audio Station 2 Record 3 - <input type="checkbox"/> Audio Station 3 Record 4 - <input type="checkbox"/> Audio Station 4 Record 5 - <input type="checkbox"/> Future Use 6 - <input type="checkbox"/> Future Use 7 - <input type="checkbox"/> Future Use 8 - <input type="checkbox"/> Future Use
610	Call Back / Recovery Window Duration: 2 digit entry Default: 05 minutes	
611	Call Back Acknowledge code: 6-digit entry Default: 999999	
612	Answering Machine Bypass: 2-digit entry Default: 00	
613	Double Call Timer: 2-digit entry Default: 30	

614	Number of Rings to Answer: 2-digit entry Default: 00	
615	Audio Duration: 2-digit entry Default: 90	
616	Record Time: 3-digit entry Default: 105	
617	Erase Time: 2-digit entry Default: 15 minutes	
620	Audio Station Tamper Option 1:	1 - <input type="checkbox"/> Audio Station 1 Tamper 2 - <input type="checkbox"/> Audio Station 2 Tamper 3 - <input type="checkbox"/> Audio Station 3 Tamper 4 - <input type="checkbox"/> Audio Station 4 Tamper 5 - <input type="checkbox"/> Future Use 6 - <input type="checkbox"/> Future Use 7 - <input type="checkbox"/> Future Use 8 - <input type="checkbox"/> Future Use
999	Reset Module Programming to Factory Defaults	999 installer code 999

Wireless Programming

[804] Wireless Programming		
000 – WLS Device Enrollment This section is an overview of wireless device programming. See the associated device installation sheets and the HSM2HOST/RFK keypad installation instructions for detailed worksheets.	Zones: (Selection)	Zone #:
	(2-digit decimal)	Zone Definition:
	(14 x 2)	Partition Assignment:
	WLS Keys (Selection)	Zone Label:
	(2-digit decimal)	WLS Key #:
	(Selection)	Partition Assignment:
		Select User:
		WLS Key Label:
	Sirens (Selection)	Siren #:
	(2-digit decimal)	Partition Assignment:
	(14 x 1)	Siren Label:
	Keypads (2-digit decimal)	Keypad #:
	(2-digit decimal)	Partition Assignment:
		Keypad Label:
Repeaters (Selection)	Repeater #:	
	Repeater Label:	
001- 248 Configure Wireless Zones 1 to 248		
551-556 Configure Wireless Sirens 1-16		
601-632 Configure Wireless Keys 1-32		
701-716 Configure Wireless Keypads		
801-810 Wireless Options		
841 Visual Verification Programming		
901-905 Delete Wireless Devices		
921-925 Replace Wireless Devices		
990 Show All Devices		
999 Reset Devices to Factory Default		

Alternate Communicator

[850] Cellular Signal Strength	
(Description on [850] Cellular Signal Strength)	
[850] Cellular Signal Strength	
(Description on [850] Cellular Signal Strength)	
[851] Communicator Programming	
Local IP configuration	
[001] Ethernet IP Address	
Default (000.000.000.000)	

[002] Ethernet IP Subnet Mask	
Default (255.255.255.000)	
[003] Ethernet Gateway IP Address	
Default (000.000.000.000)	
[004] Receiver Supervision Interval	
Default (00087/135)	
Valid range: 00000 - 65535	
[005] System Toggle Options 1	<input type="checkbox"/> 1 - Receiver 1 Supervised <input type="checkbox"/> 2 - Receiver 3 Supervised <input type="checkbox"/> 3 - Heartbeat 1 <input type="checkbox"/> 4 - Cell Primary <input checked="" type="checkbox"/> 6 - Remote Firmware Upgrade <input type="checkbox"/> 7 - Test TX <input type="checkbox"/> 8 - Low Signal Mask
[006] System Toggle Options 2	<input checked="" type="checkbox"/> 1 - Receiver 1 Enabled <input checked="" type="checkbox"/> 2 - Receiver 2 Enabled <input checked="" type="checkbox"/> 4 - Receiver 3 Enabled <input checked="" type="checkbox"/> 5 - Receiver 4 Enabled <input checked="" type="checkbox"/> 7 - DLS Over Cellular <input type="checkbox"/> 8 - Network Trouble Suppression
[007] DNS Server IP 1	
Default (000.000.000.000)	
[008] DNS Server IP 2	
Default (000.000.000.000)	
[010] System Toggle Options 3	<input type="checkbox"/> 1 - 2-Way Audio Over Cellular <input type="checkbox"/> 2 - Visual Verification Default <input type="checkbox"/> 3 - Video On Demand <input type="checkbox"/> 4 - Receiver Group
[011] Communicator Installer CodeI	
Default (CAFE)	
Valid range: 0000-FFFF	
DLS configuration	
[012] DLS Incoming Port	
Default (03062)	
Valid range: 00000 - 65535	

<p>[013] DLS Outgoing Port</p> <p>Default (03066)</p> <p>Valid range: 00000 - 65535</p>
<p>[015] DLS Call-Up IP</p> <p>Default (000.000.000.000)</p>
<p>[016] DLS Call-Up Port</p> <p>Default (00000)</p> <p>Valid range: 00000 - 65535</p>
<p>[018] Receiver Group Pair</p> <p>Default (0000)</p> <p>Valid range: 0000 - FFFF</p>
<p>[020] Time Zone</p> <p>Default (00)</p> <p>Valid range: 00 - 99</p>
<p>Reporting codes</p>
<p>[025] Radio Activation Restore</p> <p>Default (FF)</p> <p>Program 00 disable or FF enable</p>
<p>[026] Receiver 1 Test Transmission</p> <p>Default (FF)</p> <p>Program 00 disable or FF enable</p>
<p>[027] Receiver 2 Test Transmission</p> <p>Default (00)</p> <p>Program 00 disable or FF enable</p>
<p>[028] Receiver 3 Test Transmission</p> <p>Default (FF)</p> <p>Program 00 disable or FF enable</p>
<p>[029] Receiver 4 Test Transmission</p> <p>Default (00)</p> <p>Program 00 disable or FF enable</p>

[030] FTC Restore [080] Default (FF) Program 00 disable or FF enable	
[080] TFTP UDP server IP address Default (000.000.000.000)	
[081] TFTP UDP server port number Default (0C11) Program 00 disable or FF enable	
[082] TFTP UDP local port Default (0C12) Program 00 disable or FF enable	
[083] TFTP UDP server DNS Default () 32 ASCII characters	
DLS SA configuration	
[095] DLS SA Incoming Local Port Default (03092) Valid range: 00000 - 65535	
[096] DLS SA Outgoing Local Port Default (03093) Valid range: 00000 - FFFFF	
Ethernet receiver 1 configuration	
[101] Receiver 1 Account Code Default (0000000000) Valid range: 0000000001 - FFFFFFFF0E	
[102] Receiver 1 DNIS Default (000000) Valid range: 000000 - FFFFFF	
[103] Receiver 1 IP Address Default (127.000.000.001)	
[104] Receiver 1 UDP Remote Port Default (03061) Valid range: 00000 - 65535	

<p>[105] Receiver 1 UDP Local Port</p> <p>Default (03060)</p> <p>Valid range: 00000 - 65535</p>
<p>[106] Receiver 1 Domain Name</p> <p>Default () 32 ASCII characters</p>
<p>Ethernet receiver 2 configuration</p>
<p>[111] Receiver 2 Account Code</p> <p>Default (0000000000)</p> <p>Valid range: 0000000001 - FFFFFFFF00</p>
<p>[112] Receiver 2 DNIS</p> <p>Default (000000) Valid range: 000000 - 0FFFFFFF</p>
<p>[113] Receiver 2 IP Address</p> <p>Default (000.000.000.000)</p>
<p>[114] Receiver 2 UDP Remote Port</p> <p>Default (03061)</p> <p>Valid range: 00000 - 65535</p>
<p>[115] Receiver 2 UDP Local Port</p> <p>Default (03065)</p> <p>Valid range: 00000 -65535</p>
<p>[116] Receiver 2 Domain Name</p> <p>Default () 32 ASCII characters</p>
<p>[124] Ethernet Test Transmission Time</p> <p>Default (9999)</p> <p>Valid: 00-23(HH); 00-59(MM)</p>
<p>[125] Ethernet Test Transmission Cycle</p> <p>Default (000000)</p> <p>Valid range: 000000 - 999999 minutes</p>
<p>Cellular receiver 3 configuration</p>
<p>[201] Receiver 3 Account Code</p> <p>Default (0000000000)</p> <p>Valid range: 0000000001 - FFFFFFFF00</p>
<p>[202] Receiver 3 DNIS</p> <p>Default (000000) Valid range: 000000 - 0FFFFFFF</p>

[203] Receiver 3 IP Address Default (000.000.000.000)
[204] Receiver 3 Port Default (03061) Valid range: 00000 - 65535
[205] Receiver 3 APN Default () 32 ASCII characters
[206] Receiver 3 Domain Name Default () 32 ASCII characters
Cellular receiver 4 configuration
[211] Receiver 4 Account Code Default (0000000000) Valid range: 0000000001 - FFFFFFFF
[212] Receiver 4 DNIS Default (000000) Valid range: 000000 - 0FFFFF
[213] Receiver 4 IP Address Default (000.000.000.000)
[214] Receiver 4 Port Default (03061) Valid range: 00000 - 65535
[215] Receiver 4 APN Default () 32 ASCII characters
[216] Receiver 4 Domain Name Default () 32 ASCII characters
System cellular configuration
[221] Cellular Public Access Point Name Default () 32 ASCII characters
[222] Cellular Login User Name Default () 32 ASCII characters
[223] Cellular Login Password Default () 32 ASCII characters

[224] Cellular Test Transmission Time of Day	
Default (9999)	
Valid range: 00 - 23 hrs. (HH) 00 - 59 min. (MM)	
[225] Cellular Test Transmission Cycle	
Default (000000)	
Valid range: 000000 - 999999 minutes	
[226] Network Trouble Delay Timer	
Default (015)	
Valid entries from 000 to 255	
2-Way audio over cellular options	
[227] Voice Call Timeout	
Default (000)	
Valid entries from 000 to 255	
[228] Voice Call Back Time	
Default (010)	
Valid entries from 000 to 255	
[229] Voice Call Back Number	
Default () 32 digit phone number.	
Valid entries:: 0000000000000000 to FFFFFFFFFFFFFFFF	
Integration session 1	
[422] Integration Identification Number	
Default (MAC/IMEI) Read only	
[423] Session 1 Integration Access Code	
Default (12345678123456781234567812345678)	
Valid range: 00000000000000000000000000000000 - FFFFFFFFFFFFFFFFFFFFFFFFFFFFFFFF	
[424] Session 1 SMS Label	
Default (11111111) 16 ASCII characters	
[425] Session 1 Integration Toggle Options 2	<input type="checkbox"/> 1 - Integration Over USB
	<input type="checkbox"/> 2 - Integration Over Cellular
	<input type="checkbox"/> 3 - Integration Over Ethernet
	<input type="checkbox"/> 4 - Reserved
	<input checked="" type="checkbox"/> 5 - ITv2 Integration Protocol
	<input type="checkbox"/> 6 - Reserved
	<input type="checkbox"/> 7 - Reserved

	<input type="checkbox"/> 8 - Reserved
[426] Session 1 Integration Toggle Options 3	<input type="checkbox"/> 1 - UDP Polling
	<input type="checkbox"/> 2 - TCP Polling
	<input type="checkbox"/> 3 - Real-time Notification
	<input type="checkbox"/> 4 - Notification Follows Poll
	<input type="checkbox"/> 5 - Firewall IP
	<input type="checkbox"/> 6 - Reserved
	<input type="checkbox"/> 7 - Reserved
	<input type="checkbox"/> 8 - Reserved
[427] Session 1 Interactive Polling Interval	
Default (00010)	
Valid range: 00000- 65535 seconds	
[428] Session 1 Integration Server IP	
Default (000.000.000.000)	
[429] Session 1 Integration Notification Port	
Default (00372)	
Valid range: 00000- 65535	
[430] Session 1 Integration Polling Port	
Default (03073)	
Valid range: 00000- 65535	
[431] Session 1 Integration Server DNS	
32 ASCII characters	
[432] Session 1 Integration Outgoing Port	
Default (03070)	
Valid range: 00000- 65535	
[433] Session 1 Integration Incoming Port	
Default (03071)	
Valid range: 00000- 65535	
Integration sessions 2-4	
[450] - [460] Repeats [423] - [433] for Session 2	
[477] - [487] Repeats [423] - [433] for Session 3	
[504] - [514] Repeats [423] - [433] for Session 4	
Notification controls	

[691] Session 1 Notification Control	<input checked="" type="checkbox"/> 1 – Alarm and Alarm Restore Notifications
	<input checked="" type="checkbox"/> 2 – Tamper and Tamper Restore Notifications
	<input checked="" type="checkbox"/> 3 – Arming and Disarming Notifications
	<input checked="" type="checkbox"/> 4 – Trouble and Trouble Restore Notifications
	<input checked="" type="checkbox"/> 5 – Test Transmission Notifications
	<input checked="" type="checkbox"/> 6 – Reserved
	<input checked="" type="checkbox"/> 7 – Reserved
	<input checked="" type="checkbox"/> 8 – Reserved
[692] Session 2 Notification Control	<input checked="" type="checkbox"/> 1 – Alarm and Alarm Restore Notifications
	<input checked="" type="checkbox"/> 2 – Tamper and Tamper Restore Notifications
	<input checked="" type="checkbox"/> 3 – Arming and Disarming Notifications
	<input checked="" type="checkbox"/> 4 – Trouble and Trouble Restore Notifications
	<input checked="" type="checkbox"/> 5 – Test Transmission Notifications
	<input checked="" type="checkbox"/> 6 – Reserved
	<input checked="" type="checkbox"/> 7 – Reserved
	<input checked="" type="checkbox"/> 8 – Reserved
[693] Session 3 Notification Control	<input checked="" type="checkbox"/> 1 – Alarm and Alarm Restore Notifications
	<input checked="" type="checkbox"/> 2 – Tamper and Tamper Restore Notifications
	<input checked="" type="checkbox"/> 3 – Arming and Disarming Notifications
	<input checked="" type="checkbox"/> 4 – Trouble and Trouble Restore Notifications
	<input checked="" type="checkbox"/> 5 – Test Transmission Notifications
	<input checked="" type="checkbox"/> 6 – Reserved
	<input checked="" type="checkbox"/> 7 – Reserved
	<input checked="" type="checkbox"/> 8 – Reserved
[694] Session 4 Notification Control	<input checked="" type="checkbox"/> 1 – Alarm and Alarm Restore Notifications
	<input checked="" type="checkbox"/> 2 – Tamper and Tamper Restore Notifications
	<input checked="" type="checkbox"/> 3 – Arming and Disarming Notifications
	<input checked="" type="checkbox"/> 4 – Trouble and Trouble Restore Notifications
	<input checked="" type="checkbox"/> 5 – Test Transmission Notifications
	<input checked="" type="checkbox"/> 6 – Reserved
	<input checked="" type="checkbox"/> 7 – Reserved
	<input checked="" type="checkbox"/> 8 – Reserved
Receiver test	
[901] Receiver Test	<input type="checkbox"/> 1 – Receiver 1
	<input type="checkbox"/> 2 – Receiver 2
	<input type="checkbox"/> 3 – Receiver 3
	<input type="checkbox"/> 4 – Receiver 4
	<input type="checkbox"/> 6 – Reserved
	<input type="checkbox"/> 6 – Reserved
	<input type="checkbox"/> 7 – Reserved
	<input type="checkbox"/> 8 – Reserved

Radio diagnostics	
[976] Configuration File Version	
[977] Cellular NetworkProvider - MCC/MNC Code	
[978] Cellular Network Type	
[979] Cellular Network CSQ	
[980] Radio Reset Codes	
[981] Radio Type	
[982] Radio Firmware Version	
[983] Firmware Update Diagnostics Section	
[984] Communicator Status	
[985] Radio Initialization Status	
[986] System Toggle Options 4	<input type="checkbox"/> 1 - Remote Shutdown Enable Default
Communicator information	
[987] Language Version	
[988] DNS 1 IP Address	
[989] DNS 2 IP Address	
[990] Boot Loader Version	
[991] Firmware Version	
[992] Ethernet IP Address	
[993] Ethernet Gateway IP Address	
[994] Cellular IP Address	
[995] SIM Number	
[996] Cellular Telephone Number	
This number is required for DLS and Firmware upgrades	
[997] IMEI Number	
[998] MAC Address	
[999] Software Default (00 - Factory Default Setting; 55 - Reset / Power Cycle)	

Keypad Programming

[860] Display Keypad Slot Number		
[861]-[892] Keypad Programming		
Refer to the installation instructions provided with the keypad for details.		
000 - Keypad Partition Mask	00 - Global	
	01 - <input checked="" type="checkbox"/> Partition 1	17 - <input type="checkbox"/> Partition 17
	02 - <input type="checkbox"/> Partition 2	18 - <input type="checkbox"/> Partition 18
	03 - <input type="checkbox"/> Partition 3	19 - <input type="checkbox"/> Partition 19
	04 - <input type="checkbox"/> Partition 4	20 - <input type="checkbox"/> Partition 20
	05 - <input checked="" type="checkbox"/> Partition 5	21 - <input type="checkbox"/> Partition 21
	06 - <input type="checkbox"/> Partition 6	22 - <input type="checkbox"/> Partition 22

	07 - <input type="checkbox"/> Partition 7	23 - <input type="checkbox"/> Partition 23
	08 - <input type="checkbox"/> Partition 8	24 - <input type="checkbox"/> Partition 24
	09 - <input checked="" type="checkbox"/> Partition 9	25 - <input type="checkbox"/> Partition 25
	10 - <input type="checkbox"/> Partition 10	26 - <input type="checkbox"/> Partition 26
	11 - <input type="checkbox"/> Partition 11	27 - <input type="checkbox"/> Partition 27
	12 - <input type="checkbox"/> Partition 12	28 - <input type="checkbox"/> Partition 28
	13 - <input checked="" type="checkbox"/> Partition 13	29 - <input type="checkbox"/> Partition 29
	14 - <input type="checkbox"/> Partition 14	30 - <input type="checkbox"/> Partition 30
	15 - <input type="checkbox"/> Partition 15	31 - <input type="checkbox"/> Partition 31
	16 - <input type="checkbox"/> Partition 16	32 - <input type="checkbox"/> Partition 32
001 - Function Key 1 (Default: 03):		
002 - Function Key 2 (Default: 04):		
003 - Function Key 3 (Default: 06):		
004 - Function Key 4 (Default: 22):		
005 - Function Key 5 (Default: 16):		
Function Key Programming Options:		

00 - Null Key	32 - Bypass Mode	74 - Partition Select 14
02 - Instant Stay Arm	33 - Bypass Recall	75- Partition Select 15
03 - Stay Arm	34 - User Programming	76- Partition Select 16
04 - Away Arm	35 - User Functions	77- Partition Select 17
05 - [*][9]No Entry Arm	37 - Time/Date Programming	78- Partition Select 18
06 - Chime On/Off	39 - Trouble Display	79- Partition Select 19
07 - System Test	40 - Alarm Memory	80- Partition Select 20
09 - Night Arm	61 - Partition Select 1	81- Partition Select 21
12 - Global Stay Arm	62 - Partition Select 2	82- Partition Select 22
13 - Global Away Arm	63 - Partition Select 3	83- Partition Select 23
14 - Global Disarming	64 - Partition Select 4	84- Partition Select 24
15 - Temperature	65 - Partition Select 5	85- Partition Select 25
16 - Quick Exit	66 - Partition Select 6	86- Partition Select 26
17 - Arm Interior	67 - Partition Select 7	87- Partition Select 27
21 - Command Output 1	68 - Partition Select 8	88- Partition Select 28
22 - Command Output 2	69 - Partition Select 9	89- Partition Select 29
23 - Command Output 3	70 - Partition Select 10	90- Partition Select 30
24 - Command Output 4	71 - Partition Select 11	91- Partition Select 31
29 - Bypass Group Recall	72 - Partition Select 12	92- Partition Select 32
31 - Local PGM Active	73 - Partition Select 13	
011 – Keypad I/O (Zone number or output number; 3-digit decimal; Default: 000):		
012 – Local PGM Output Timer	Pulse Time Minutes (Default: 00 minutes)	
	Pulse Time Seconds (Default: 05 seconds)	
021 – Keypad Option 1	1 – <input checked="" type="checkbox"/> [F] Key Enabled	
For systems compliant with EN50131-1 and EN50131-3 Section [021]: options 1 and 2 must be OFF. 2-digit decimal	<input type="checkbox"/> EN	2 – <input checked="" type="checkbox"/> R[M] Key Enabled
		3 – <input checked="" type="checkbox"/> R[P] Key Enabled
		4 – <input checked="" type="checkbox"/> Display Code or X's
022 – Keypad Option 2	1 – <input checked="" type="checkbox"/> Local Clock Display	

	2 - <input type="checkbox"/> Local Clock 24-Hour
	3 - <input checked="" type="checkbox"/> Auto Alarm Scroll
	5 - <input checked="" type="checkbox"/> Power LED
	6 - <input checked="" type="checkbox"/> Power LED AC Present
	7 - <input checked="" type="checkbox"/> Alarms Displayed While Armed
	8 - R Auto Scroll Open Zones
023 - Keypad Option 3	1 - <input type="checkbox"/> Armed LED Power Save
	2 - <input checked="" type="checkbox"/> Keypad Status Shows Arm Mode
	3 - <input type="checkbox"/> 5th Terminal is PGM Output/Zone Input
	4 - <input type="checkbox"/> Prox Tag Arm/Disarm
	7 - <input type="checkbox"/> Local Display of Temperature
	8 - <input type="checkbox"/> Low Temperature Warning
030 - LCD Message:	
031 - Downloaded LCD Message Duration (3-digit decimal; 000-255; Default: 000):	
041 - Indoor Temperature Zone Entry (3-digit decimal; 000-248; Default: 000):	
042 - Outdoor Temperature Zone Entry (3-digit decimal; 000-248; Default: 000):	
101-228 - Door Chime Sound:	00 - <input type="checkbox"/> Disabled
	01 - <input checked="" type="checkbox"/> 6 Beeps
	02 - <input type="checkbox"/> Bing Bong
	03 - <input type="checkbox"/> Ding Dong
	04 - <input type="checkbox"/> Alarm Tone
	05 - <input type="checkbox"/> Zone Name

Door chime zone assignment																			
1		2		3		4		5		6		7		8		9		10	
11		12		13		14		15		16		17		18		19		20	
21		22		23		24		25		26		27		28		29		30	
31		32		33		34		35		36		37		38		39		40	
41		42		43		44		45		46		47		48		49		50	
51		52		53		54		55		56		57		58		59		60	
61		62		63		64		65		66		67		68		69		70	
71		72		73		74		75		76		77		78		79		80	
81		82		83		84		85		86		87		88		89		90	
91		92		93		94		95		96		97		98		99		100	
101		102		103		104		105		106		107		108		109		110	
111		112		113		114		115		116		117		118		119		120	

Door chime zone assignment																			
121		122		123		124		125		126		127		128		129		130	
131		132		133		134		135		136		137		138		139		140	
141		142		143		144		145		146		147		148		149		150	
151		152		153		154		155		156		157		158		159		160	
161		162		163		164		165		166		167		168		169		170	
171		172		173		174		175		176		177		178		179		180	
181		182		183		184		185		186		187		188		189		190	
191		192		193		194		195		196		197		198		199		200	
201		202		203		204		205		206		207		208		209		210	
211		212		213		214		215		216		217		218		219		220	
221		222		223		224		225		226		227		228		229		230	
231		232		233		234		235		236		237		238		239		240	
241		242		243		244		245		246		247		248					

Template Programming

[899] Template Programming	
Description on Template programming	5 Digit Template Code:
	Central Station Phone Number:
	Central Station Account Code:
	Partition Account Code:
	DLS Access Code:
	Partition 1 Entry Delay 1:
	Partition 1 Exit Delay:
	Installer Code:

System Information

[900] System Information
Description on [900] System Information
000 – Control Panel Version
001- 032 – View Keypad 1-32 Version
101-116 – HSM2108 8 Zone Module 1-15 Version
201-215 – HSM2208 8 Output Module 1 Version
301-315 – HSM3408 8 I/O Expansion Module
460 – Alternate Communicator
461 – HSM2 Host Module

481 – HSM2955
501-504 – HSM2300 Power Supply 1A Module
521-524 – HSM2204 High-Current O/P Module
550-554 – HSM3350 3A Power Supply Module
601-616 – HSM3204CX Corbus Repeater
[901] Installer Walk Test Mode Enable/Disable
Description on [901] Installer Walk Test Mode Enable/Disable .

Module Programming

[902] Add/Remove Modules	
Description on [902] Add/Remove Modules	000 – Auto Enroll Modules
	001 – Enroll Modules
	002 – Slot Assignment
	003 – Edit Module Slot Assignment
	101 – Delete Keypads
	102 – Delete HSM2108 8 Zone Module
	103 – Delete HSM2208 8 Output Module or High Current O/P
	104 – Delete HSM3408 8 I/O Expansion Module
	106 – Delete HSM2Host
	108 – Delete HSM2955
	109 – Delete HSM2300 Power Supply 1A
	110 – Delete HSM2204 4 High Current Output
	111 – Delete HSM3350 3A Power Supply Module
	112 – Delete HSM3204CX Corbus Repeater
[903] Confirm Modules	
Description on [903] Confirm Module	000 – View All Modules
	101 – Confirm Keypads
	102 – Confirm HSM2108 8 Zone Module
	103 – Confirm HSM2208 8 Output Module or High Current O/P
	104 – Confirm HSM3408 8 I/O Expansion Module
	106 – Confirm HSM2Host
	108 – Confirm HSM2955
	109 – Confirm HSM2300 Power Supply 1A

	110 – Confirm HSM2204 4 High Current Output
	111 – Confirm HSM3350 3A Power Supply Module
	112 – Confirm HSM3204CX Corbus Repeater

Wireless Placement Testing

Testing

[904] Wireless Placement Test
Description on [904] Wireless Placement Test
001-248 – Placement Test - Zone 1-248
521-528 – Placement Test Repeaters 1-8
551-558 – Placement Test Sirens 1-8
601-632 – Placement Test Wireless Keys 1-32
701-716 – Placement Test Wireless Keypads 1-16
[911] Diagnostics
Description on [904] Wireless Placement Test
000 - Panel Diagnostics
001-032 - Keypad 001 to 032
101-115 - Zone Expander 001 to 015
301-315 - 8 I/O Expander 001 to 015
501-504 - Power Supply 001 to 004
521-524 - High Current Output Battery 001 to 004
551-554 - 3 A Power Supply 001 to 004
601-616 - Corbus repeater 001 to 016
[912] Zone Soak Test
Description on [912] Soak Test
000 – Zone Soak Test Duration (3-digit decimal; 001-255 Days; Default: 014):
001 – Zone Soak Test Assignment - Zones 1-8
002 – Zone Soak Test Assignment - Zones 9-16
003 – Zone Soak Test Assignment - Zones 17-24
004 – Zone Soak Test Assignment - Zones 25-32
005 – Zone Soak Test Assignment - Zones 33-40
006 – Zone Soak Test Assignment - Zones 41-48
007 – Zone Soak Test Assignment - Zones 49-56
008 – Zone Soak Test Assignment - Zones 57-64
009 – Zone Soak Test Assignment - Zones 65-72
010 – Zone Soak Test Assignment - Zones 73-80
011 – Zone Soak Test Assignment - Zones 81-88
012 – Zone Soak Test Assignment - Zones 89-96

[904] Wireless Placement Test	
Description on [904] Wireless Placement Test	
013 – Zone Soak Test Assignment - Zones 97-104	
014 – Zone Soak Test Assignment - Zones 105-112	
015 – Zone Soak Test Assignment - Zones 113-120	
016 – Zone Soak Test Assignment - Zones 121-128	
017 – Zone Soak Test Assignment - Zones 129-136	
018 – Zone Soak Test Assignment - Zones 137-144	
019 – Zone Soak Test Assignment - Zones 145-152	
020 – Zone Soak Test Assignment - Zones 153-160	
021 – Zone Soak Test Assignment - Zones 161-168	
022 – Zone Soak Test Assignment - Zones 169-176	
023 – Zone Soak Test Assignment - Zones 177-184	
024 – Zone Soak Test Assignment - Zones 185-192	
025 – Zone Soak Test Assignment - Zones 193-200	
026 – Zone Soak Test Assignment - Zones 201-208	
027 – Zone Soak Test Assignment - Zones 209-216	
028 – Zone Soak Test Assignment - Zones 217-224	
029 – Zone Soak Test Assignment - Zones 225-232	
030 – Zone Soak Test Assignment - Zones 233-240	
031 – Zone Soak Test Assignment - Zones 241-248	

Battery Settings

[982] Battery Settings			
Description on [982] Battery Settings			
000 – Panel Battery Settings		01 –	<input type="checkbox"/> Panel High Charge Current
010 – HSM2204 High Current Output Battery		01 –	<input type="checkbox"/> HSM2204 1 High Charge Current
		02 –	<input type="checkbox"/> HSM2204 2 High Charge Current
		03 –	<input type="checkbox"/> HSM2204 3 High Charge Current
		04 –	<input type="checkbox"/> HSM2204 4 High Charge Current
020 – HSM2300 1A Power Supply Battery		01 –	<input type="checkbox"/> HSM2300 1 High Charge Current
		02 –	<input type="checkbox"/> HSM2300 2 High Charge Current
		03 –	<input type="checkbox"/> HSM2300 3 High Charge Current

		04 -	<input type="checkbox"/> HSM2300 4 High Charge Current
030 - HSM3204CX Corbus Repeater Battery Settings		01 -	<input type="checkbox"/> HSM3204CX 1 High Charge Current
		02 -	<input type="checkbox"/> HSM3204CX 2 High Charge Current
		03 -	<input type="checkbox"/> HSM3204CX 3 High Charge Current
		04 -	<input type="checkbox"/> HSM3204CX 4 High Charge Current
		05 -	<input type="checkbox"/> HSM3204CX 5 High Charge Current
		06 -	<input type="checkbox"/> HSM3204CX 6 High Charge Current
		07 -	<input type="checkbox"/> HSM3204CX 7 High Charge Current
		08 -	<input type="checkbox"/> HSM3204CX 8 High Charge Current
		09 -	<input type="checkbox"/> HSM3204CX 9 High Charge Current
		10 -	<input type="checkbox"/> HSM3204CX 10 High Charge Current
		11 -	<input type="checkbox"/> HSM3204CX 11 High Charge Current
		12 -	<input type="checkbox"/> HSM3204CX 12 High Charge Current
		13 -	<input type="checkbox"/> HSM3204CX 13 High Charge Current
		14 -	<input type="checkbox"/> HSM3204CX 14 High Charge Current
		15 -	<input type="checkbox"/> HSM3204CX 15 High Charge Current
		16 -	<input type="checkbox"/> HSM3204CX 16 High Charge Current
040 - HSM3350 Module 1 Battery Settings	001	01 -	<input type="checkbox"/> HSM3350 Battery 1 High Charge
		02 -	<input type="checkbox"/> HSM3350 Battery 2 High Charge
		03 -	<input checked="" type="checkbox"/> HSM3350 Battery 2 Enable
040 - HSM3350 Module 2 Battery Settings	002	01 -	<input type="checkbox"/> HSM3350 2 High Charge Current
		02 -	<input type="checkbox"/> HSM3350 Battery 2 High Charge

		03 -	<input checked="" type="checkbox"/> HSM3350 Battery 2 Enable
040 - HSM3350 Module 3 Battery Settings	003	01 -	<input type="checkbox"/> HSM3350 Battery 1 High Charge
		02 -	<input type="checkbox"/> HSM3350 Battery 2 High Charge
		03 -	<input checked="" type="checkbox"/> HSM3350 Battery 2 Enable
040 - HSM3350 Module 4 Battery Settings	004	01 -	<input type="checkbox"/> HSM3350 Battery 1 High Charge
		02 -	<input type="checkbox"/> HSM3350 Battery 2 High Charge
		03 -	<input checked="" type="checkbox"/> HSM3350 Battery 2 Enable

Restoring Factory Defaults

(Descriptions on [\[989\] Default Master Code](#))

[989] Default Master Code
[990] Installer Lockout Enable/Disable
[991] Default Keypads 999 - Default All Keypads 901-932 - Default Keypad 1-32
[993] Default Alternate Communicator
[996] Default HSM2HOST Wireless Receiver
[988] Default HSM2955
[999] Default System

Troubleshooting

Testing

- Power up system
- Program options as required (see [Programming descriptions](#))
- Manually trip then restore zones
- Verify correct reporting codes are sent to the central station

Troubleshooting

LCD programmable-message keypad:

- Press [*][2] followed by access code if required to view a trouble condition
- The trouble light flashes and the LCD displays the first trouble condition
- Use the arrow keys to scroll through all trouble conditions present on the system

ⓘ **Note:** When additional information is available for a specific trouble condition, a [*] is displayed. Press the [*] key to view the additional information.

[*][2] Trouble summary

The list below describes the trouble indications displayed on keypads.

Trouble	Detailed trouble	
01 – Service Required	01 – Bell circuit 02 – RF jam detected 03 – Loss of clock 04 – Output 1 fault 05 – Warm start	06 – USB Wi-Fi Connected 07 – Power Unit Fail (System) 08 – Power Unit Failure (HSM3204CX Corbus Repeater) 09 – Power Unit Failure (HSM3350 3 A Power Supply) 10 – Overcurrent
02 – Module Low Battery	01 – Panel low battery 02 – Panel no battery 04 – HSM2204 1-4 low battery 05 – HSM2204 1-4 no battery 07 – HSM2300 1-4 low battery 08 – HSM2300 1-4 no battery	10 – HSM3204CX low battery 11 – HSM3204CX no battery 13 – HSM3350 low battery 1 14 – HSM3350 low battery 2 15 – HSM3350 no battery 1 16 – HSM3350 no battery 2
03 – Bus Voltage	01 – HSM2HOSTx voltage 02 – Keypad 1-32 voltage 04 – HSM2108 1-15 voltage 05 – HSM2300 1-4 voltage 06 – HSM2204 1-4 voltage 07 – Panel Corbus Output Fault (system)	08 – HSM2208 1-4 voltage 09 – HSM2955 1-4 voltage 10 – HSM3408 voltage 11 – HSM3204CX bus low voltage 12 – HSM3204CX bus fault 13 – HSM3350 bus low voltage
04 – AC Troubles	01 – Zone 1-248 AC 02 – Keypad AC Trouble 03 – Siren 1-16 AC 04 – Repeater 1-8 AC 05 – HSM2300 1-4 AC	06 – HSM2204 1-4 AC 07 – Alarm controller AC 08 – HSM3204CX AC 09 – HSM3350 AC

Trouble	Detailed trouble	
05 – Device Faults	01 – Zone 001 - 248 03 – Siren 1-16 04 – Repeater 1-8 06 – Device mask	08 – Heat trouble 09 – CO trouble 10 – Freeze trouble 11– Probe disconn. 12– Fire trouble
06 – Device Low Battery	01 – Zone 1-248 02 – Keypad 1-32 03 – Siren 1-16	04 – Repeater 1-8 05 – User 1-32
07 – Device Tamper	01 – Zone 1-248 03 – Siren 1-16	04 – Repeater 1-8 05 – Audio Station 01 - 04
08 – RF Delinquency	01 – Zone 1-248 02 – Keypad 1-32	03 – Siren 1-16 04 – Repeater 1-8
09 – Module Supervisory	01 – HSM2HOSTx 02 – Keypad 1-32 04 – HSM2108 1-30 05 – HSM2300 1-4 06 – HSM2204	08 – HSM2208 1-4 09 – HSM2955 11 – HSM3408 12 – HSM3204CX 13 – HSM3350
10 – Module Tamper	01 – HSM2HOSTx 02 – Keypad 1-32 04 – HSM2108 1-30 05 – HSM2300 1-4 06 – HSM2204	08 – HSM2208 1-4 09 – HSM2955 11 – HSM3408 1-30 12 – HSM3204CX 13 – HSM3350
11 – Communications	01 – TLM 02 – FTC Receiver 1-4 04 – Alt. comm cellular 05 – Alt. comm Ethernet	06 – Receiver 1-4 absent 07 – Receiver 1-4 supervision 09 – Alt. comm fault 10 – Alt. comm FTCtrouble
12 – Not Networked	01 – Zone 1-248 02 – Keypad 1-32 03 – Siren 1-16	04 – Repeater 1-8 05 – User 1-32
13 – AUX Trouble	05 – HSM2300 06 – HSM2204 07 – System area	10 – HSM3408 11 – HSM3204CX 12 – HSM3350 AUX 1 trouble 13 – HSM3350 AUX 2 trouble
14 – Limit Exceeded Trouble	01 – Interactive Zone 02 – Interactive Partition	

Trouble [1] Service Required	Press [01] to determine specific trouble
Trouble	Troubleshooting
[01] Bell Circuit Bell+, Bell-.open circuit.	Disconnect Bell-/ + leads and measure resistance: Open circuit indicates break in wiring or defective siren/bell. Jumper Bell+/- with 1K resistor (Brown, Black, Red):
[02] RF Jam Detected Wireless receiver - excessive noise detected.	Check event buffer to determine specific trouble. If buffer logs RF jam, check for RF interference. Disable RF Jam: section [804] sub-section [801].
[03] Loss of clock The alarm controller internal clock is not set	To program the time and date: Enter [*][6][Master Code] then press [01]. Enter the time and date (24-hour clock) using the following format: HH:MM MM/DD/YY e.g.,. For 6:00 pm, June 29, 2019: Enter: [18] [00] [06] [29] [19]

Trouble [1] Service Required	Press [01] to determine specific trouble
[04] Output 1 Fault HSM2204 output #1 open circuit.	If output #1 is unused: ensure terminals O1, AUX are jumpered with 1K resistor (brown, black, red). If output #1 is used: disconnect wire leads from O1, AUX terminals, measure resistance of leads: Open circuit indicates a break in wiring.
[05] Warm Start Control panel has recovered from a software lockup	This trouble automatically restores after two minutes or when acknowledge via the [*] 2 menu. Contact Tech Support if this trouble persists or re-occurs periodically.
[06] USB Wi-Fi Connected HSM3WIFI USB to Wi-Fi Adapter is plugged into the panel	The trouble automatically clears once the HSM3WIFI adapter is unplugged from the panel. This trouble serves as a warning as to not to forget to unplug the adapter when configuration via Wi-Fi is completed.
[07] Power Unit Fail (System) A fault with the internal power supply has been detected on the panel.	Ensure the combined output power of the panel is not exceeding 2A. Power cycle the panel and if the trouble persists it may indicate a permanent hardware failure.
[08] Power Unit Failure (HSM3204CX) A fault with the internal power supply has been detected on the corbus repeater.	Ensure the combined output power of the corbus repeater module is not exceeding 2A. Power cycle the module and if the trouble persists it may indicate a permanent hardware failure.
[09] Power Unit Failure (HSM3350) A fault with the internal power supply has been detected on the 3A power supply.	Ensure the combined output power of the 3A power supply module is not exceeding 3A. Power cycle the module and if the trouble persists it may indicate a permanent hardware failure.
[10] Overcurrent The combined output power on the panel has exceeded 2A for a period of more than 5 minutes.	Reduce the load on the panel by re-powering modules or detectors with a separate power supply module.

Trouble [2] Module Battery Trouble	Press [02] to determine specific trouble
Trouble	Troubleshooting
[01] Panel Low Battery The panel detects that the battery is below the low battery threshold (less than 11.5VDC). i Note: This trouble condition will not clear until the battery voltage is 12.5VDC min., under load. If battery is new allow 1 hour to charge.	Verify voltage measured across DC input terminals is 16-18 VAC. Replace HSM65W power supply adapter if required. Connect battery, remove AC power. Verify measured voltage across Aux terminals is 12.5VDC min. Replace battery if it is no longer able to hold a charge due to age.
[02] Panel No Battery The panel detects that no battery is present or that the battery is shorted.	Verify battery is connected. Ensure battery leads are connected with the right polarity. Connect battery, remove AC power. Verify measured voltage across Aux terminals is 12.5VDC min
[04] 4 High Current output 1-4 Low Battery (HSM2204) HSM2204 battery less than 11.5VDC. i Note: This trouble condition will not clear until the battery voltage is 12.5VDC min. under load. Charge battery. It may be low due to a long period without AC.	Verify voltage measured across DC input terminals is 16-18 VDC. Replace HSM65W power supply adapter if required. Connect battery, remove AC power. Verify measured voltage across Aux terminals is 12.5VDC min. Replace battery if it is no longer able to hold a charge due to age.
[05] 4 High Current output 1-4 No Battery (HSM2204) Enter 05 to view which HSM2204 does not have a battery connected.	Verify battery is connected. Ensure battery leads are connected with the right polarity. Connect battery, remove AC power. Verify measured voltage across Aux terminals is 12.5VDC min

Trouble [2] Module Battery Trouble	Press [02] to determine specific trouble
[07] Power Supply 1-4 Low Battery (HSM2300) Enter 07 to view which HSM2300 has a battery voltage less than 11.5V.	Verify voltage measured across DC input terminals is 16-18 VAC. Replace HSM65W power supply adapter if required. Connect battery, remove AC power. Verify measured voltage across Aux terminals is 12.5VDC min. Replace battery if it is no longer able to hold a charge due to age.
[08] Power Supply 1-4 No Battery (HSM2300) Enter 08 to view which HSM2300 does not have a battery connected.	Verify battery is connected. Ensure battery leads are connected with the right polarity. Connect battery, remove AC power. Verify measured voltage across Aux terminals is 12.5VDC min
[10] HSM3204CX low battery Enter 10 to view which HSM3204X has a battery voltage less than 11.5V	Verify voltage measured across DC input terminals is 16-18 VAC. Replace HSM65W power supply adapter if required. Connect battery, remove AC power. Verify measured voltage across Aux terminals is 12.5VDC min. Replace battery if it is no longer able to hold a charge due to age.
[11] HSM3204CX no battery Enter 11 to view which HSM3204CX does not have a battery connected.	Verify voltage measured across DC input terminals is 16-18 VAC. Replace HSM65W power supply adapter if required. Connect battery, remove AC power. Verify measured voltage across Aux terminals is 12.5VDC min. Replace battery if it is no longer able to hold a charge due to age.
[13] HSM3350 low battery 1 Enter 13 to view which HSM3350 has a battery voltage less than 11.5V.	Verify voltage measured across DC input terminals is 16-18 VAC. Replace HSM65W power supply adapter if required. Connect battery, remove AC power. Verify measured voltage across Aux terminals is 12.5VDC min. Replace battery if it is no longer able to hold a charge due to age.
[14] HSM3350 low battery 2 Enter 14 to view which HSM3350 has a battery voltage less than 11.5V.	Verify voltage measured across DC input terminals is 16-18 VAC. Replace HSM65W power supply adapter if required. Connect battery, remove AC power. Verify measured voltage across Aux terminals is 12.5VDC min. Replace battery if it is no longer able to hold a charge due to age.
[15] HSM3350 no battery 1 Enter 15 to view which HSM3350 does not have a battery connected.	Verify battery is connected. Ensure battery leads are connected with the right polarity. Connect battery, remove AC power. Verify measured voltage across Aux terminals is 12.5VDC min
[16] HSM3350 no battery 2 Enter 16 to view which HSM3350 does not have a battery connected	Verify battery is connected. Ensure battery leads are connected with the right polarity. Connect battery, remove AC power. Verify measured voltage across Aux terminals is 12.5VDC min

Trouble [3] Bus Voltage Trouble	Press [03] to determine specific trouble
Trouble	Troubleshooting
<p>[01] HSM2HOST Bus Low Voltage The 2-way wireless integration module has detected a voltage less than 6.3V on its aux input.</p>	
<p>[02] Keypad 1-32 Bus Low Voltage Enter 02 to view hardwired keypads with a bus voltage of less than 6.9V for models that include a wireless transceiver, 7.7V for the models that do not.</p>	
<p>[04] HSM2108 Bus Low Voltage Enter 04 to view zone expanders with a bus voltage of less than 5.9V.</p>	
<p>[05] HSM2300 Bus Low Voltage Enter 05 to view power supplies with a bus voltage of less than 6.9V.</p>	
<p>[06] HSM2204 Bus Low Voltage Enter 06 to view high current output modules that have detected a bus voltage of less than 6.9V.</p>	<p>Ensure voltage at module is higher than the documented limits. Ensure wire run is not too long.</p>
<p>[07] Panel Corbus Fault The panel has detected that its corbus output voltage is less than 9.0V or higher than 15V</p>	<p>Check voltage of panel battery. Trouble should clear when AC is re-applied and the battery has had time to charge.</p>
<p>[08] HSM2208 Bus Low Voltage The low current output module has detected a voltage less than 5.9V on its aux input.</p>	<p>Disconnect AC and allow the panel to run on battery power. Ensure voltage at module is higher than the documented limits. Ensure that the corbus is not being overloaded or that there is no short anywhere on the wire run.</p>
<p>[09] HSM2955 Bus Low Voltage The audio module has detected a voltage less than 9.65V on its aux input.</p>	
<p>[10] HSM3408 voltage The audio module has detected a voltage less than 6.4V on its aux input.</p>	
<p>[11] HSM3204CX bus low voltage The audio module has detected a voltage less than 6.0V on its aux input.</p>	
<p>[12] HSM3204CX bus fault Enter 12 to view corbus repeaters which have detected the voltage on the corbus output is less than 9.0V</p>	
<p>[13] HSM3350 bus low voltage Enter 12 to view corbus repeaters which have detected the voltage on the corbus output is less than 6.0V</p>	

Trouble [4] AC Failure	Press [04] to determine specific trouble
Trouble	Troubleshooting
[01] Zone 1-248 AC [03] Siren 1-16 AC [04] Repeater 1-8 AC [05] HSM2300 1-4 AC [06] HSM2204 1-4 AC [07] Alarm Controller [08] HSM3204CX AC [09] HSM3350 AC An AC trouble has been detected on a device or module.	Verify voltage measured across DC input terminals is 16-20VDC. Replace HSM65W power adapter if required. For the HSM2204 or HSM2300 modules, ensure a 40VA 16.5VAC transformer is being used. Terminal voltage should be 16-17VAC. Replace transformer if required.

Trouble [05] Device Faults	Press [05] to determine specific trouble
Trouble	Troubleshooting
Fire Trouble: When a Fire Trouble is generated at the [05] Device faults ie Device Faults > Fire Trouble	Ensure that, if the PGM-2 is configured as 2-wire smoke detector and not used, 5.6K EOL resistor is used.
[01] Zone 1-248 faults Wireless zones: Enter [01] to view zones in fault. This trouble is generated by a zone wireless supervisory trouble.	Ensure fire zones have a 5.6K resistor (green, blue, red) connected. Remove wire leads from Z and COM terminals and measure resistance of the wire leads: Check for a short on DEOL zones or an open condition on SEOL fire zones. Connect a 5.6K resistor across the Z and COM terminals. Verify the trouble condition clears. Placement test a wireless device and re-locate it if bad results are received.
Hardwired zones: This trouble is generated by a short on hardwired zones when DEOL or TEOL is used.	
[03] Siren 1-16 faults This trouble is caused by a wireless supervisory fault on a wireless siren.	Placement test the wireless siren and re-locate if needed.
[04] Repeater 1-8 faults This trouble is caused by a wireless supervisory fault on a wireless repeater, or by the repeater shutting down due to a loss of AC/DC power.	Placement test the wireless repeater and re-locate if needed.
[06] Device mask Enter [06] to view the zone label in masking condition. A zone programmed as 24H Anti- Masking or a wireless device has detected a masking condition with one of its sensors.	Refer to the device manual to troubleshoot conditions that may cause masking detection for that devices sensors.
[08] Heat trouble Enter 10 to view the wireless zone which is detecting low temperature.	Move the device to a location with room temperature and ensure the trouble clears. If not check the programming threshold for high temperature for the zone.
[09] CO trouble Enter 09 to view the zone of a CO wireless device that is in low sensitivity trouble.	Refer to the CO devices manual for troubleshooting steps for low sensitivity trouble.

Trouble [05] Device Faults	Press [05] to determine specific trouble
[10] Freeze trouble Enter 08 to view the wireless zone which is detecting high temperature.	Move the device to a location with room temperature and ensure the trouble clears. If not check the programming threshold for low temperature for the zone.
[11] Probe disconnect Enter [11] to view the wireless zone which has detected a disconnected probe.	Refer to the temperature or flood detectors manual for troubleshooting steps for probe disconnected.
[12] Fire trouble Enter [012] to view which zones are in Fire trouble.	If fire zone is a wireless smoke, ensure it is not tampered, or in supervisory trouble. Ensure the smoke chamber is cleared of dust. If a 2-wire smoke is used, ensure a 2.2K EOL resistor is used. If zone is a 4-wire smoke, ensure a 5.6K EOL resistor is used.

Trouble [6] Device Low Battery	Press [06] to toggle through specific devices with low battery trouble
Trouble	Troubleshooting
[01] Zones 1-248 [02] Keypad 1-32 [03] Siren 1-16 [04] Repeater 1-8 [05] User 1-32 One or more wireless devices has a low battery. i Note: The event is not logged to the event buffer until the wireless device low battery delay time expires. Programming section [377], Opt 002.	View which device is in low battery through the [*][2] menu. Replace the batteries in the device with same battery type. Verify that tamper and low battery condition is cleared and reported. Verify zone operation.

Trouble [7] Device Tamper	Press [07] to determine specific trouble
Trouble	Troubleshooting
[01] Zone 1-248 tampers [02] Keypad 1-32 tampers [03] Siren 1-16 tampers [04] Repeater 1-8 tampers [05] Audio Station 1-4 tampers An open circuit is present on one or more zones with DEOL or TEOL resistors enabled.	Check that the tamper switch is securely attached to the wall. Remove the wire leads from I/O and COM and measure the resistance of the wire leads. Connect a 5.6K resistor (Green, Blue, Red) across the I/O and COM terminals. Verify the trouble condition clears.
A tamper condition is present on one or more wireless devices.	Ensure device cover is secure. Ensure device is correctly mounted for wall tamper operation. Trip, then restore the tamper. If tamper condition persists, replace wireless device.

Trouble [8] RF Delinquency	Press [08] to determine specific trouble
Trouble	Troubleshooting
[01] Zone 1-248 faults [02] Keypad 1-32 faults [03] Siren 1-16 faults [04] Repeater 1-8 faults HSM2HOST has not received a supervisory signal from a wireless device for 20 minutes.	Open/close the device, press a key on the keypad or tamper/restore. Ensure the device is physically present. Check for device faults (e.g., low battery). Check the current signal strength and during the last 24 hours. Replace the battery. Replace the device.

Trouble [9] Module Supervisory	Press [09] to determine specific zones with a tamper trouble
Trouble	Troubleshooting
[01] HSM2HOST [02] Keypad 1-30 [04] HSM2108 1-15 [05] HSM2300 1-4 [06] HSM2204 1-4 [08] HSM2208 1-4 [09] HSM2955 [10] HSM3408 1-30 [11] HSM3204CX 1-16 [12] HSM3350 1-4 No supervisory response from enrolled module.	Ensure the module is physically connected to the corbus. Measure power across corbus Red and Blk directly on the module and ensure it is at 10.5V (min). Disconnect the module and using a short length of wire, connect it directly at the panel. If the trouble then clears, it indicates a wiring problem. If the trouble does not clear, replace the module. If the module is no longer part of the system, delete it via section [902].

Trouble [10] Module Tamper	Press [10] to determine specific trouble
Trouble	Troubleshooting
[01] HSM2HOST [02] Keypad 1-32 [04] HSM2108 1-30 [05] HSM2300 1-4 [06] HSM2204 1-4 [08] HSM2208 1-4 [09] HSM2955 [10] Alt. comm. [11] HSM3408 1-30 [12] HSM3204CX 1-16 [13] HSM3350 1-4 A tamper condition is present on one or more modules.	Ensure the TAM terminal, if present on the modules is shorted to ground if tamper support is not used. Ensure module cabinet cover is securely closed and properly activating the tamper switch, if present. Ensure that the rubber tamper plunger is installed on the keypad back plastics and that the keypad is securely closed and fastened to the wall. For the HSM2HOST, ensure the module is securely closed and correctly mounted for wall tamper operation. Manually trip, then restore the tamper. If tamper condition persists, replace the module.

Trouble [11] Communications	Press [11] to determine specific trouble
Trouble	Troubleshooting
[01] Phone Line Trouble Phone line voltage at TIP, RING on main panel less than 3VDC.	Measure the voltage across TIP and RING on the panel: No phone off-hook – 50VDC (approx). Any phone off-hook – 5VDC (approx). Wire incoming line directly to TIP and RING. If trouble clears, check wiring or the RJ-31 phone jack. If not using a phone line on the panel, disable it in section [015] option 7.
[02] FTC Receiver 1-4 The system failed to communicate with a receiver using one of the enabled phone numbers. Enter [02] to view phone numbers with failure to communicate troubles.	If using PSTN communications, ensure the central station phone number is programmed correctly. If using IP or cellular, ensure alternate communicator has the correct central station IP and port numbers, as well as APN for cellular.
[03] Alternate Comm SIM Lock SIM lock is enabled and the unit does not have the correct SIM PIN.	Replace SIM card with one that does not have a SIM lock pin code programmed.

Trouble [11] Communications	Press [11] to determine specific trouble
[04] Alternate Comm Cellular The alternate communicator has detected a radio or SIM failure, a cellular network trouble, or insufficient signal strength.	Check the the event buffer for trouble details. For radio/SIM failure, ensure the cellular plug-in module is connected to the panel properly and that the SIM card is correctly inserted in the right orientation. For Cellular Network trouble ensure the correct Cellular APN is programmed and that the SIM card is activated. For insufficient signal strength, sure the antenna is properly connected and the unit is mounted in a location which allows for a strong signal to the nearest cellular tower.
[05] Alternate Comm Ethernet The alternate communicator has detected a network absent condition.	Check with the ISP to confirm Internet service is active in the area. Ensure the Ethernet cable is securely inserted into the RJ45 jack of the communicator and the hub/router/switch. Check the link light on the hub/router/switch is ON. If link light is OFF, start the hub/router/switch. If DHCP is used, ensure that the unit has an assigned IP address from the server. In Section [851] [992] verify a valid IP address is programmed. If not, contact the network administrator. If problem persists, replace the Ethernet cable and RJ45 connector
[06] Receiver 1-4 Trouble Alternate communicator is failing to initialize to the receiver.	Ensure that the Ethernet path has Internet connectivity. If using a static IP address, confirm that the gateway and subnet mask are entered correctly. If the network has a firewall, ensure the network has the programmed outgoing ports open (default UDP port 3060 and port 3065). Ensure that all cellular receiver APNs have been programmed with the access point name provided by the cellular provider. If Common Mode is used, and only one path is initialized while the other path is not successful, generate a manual test transmission over both paths or power cycle the communicator to recover the "Receiver Not Available" trouble.
[07] Receiver 1-4 Supervision The alarm system loses communication with an Ethernet or cellular receiver on the system.	This trouble is indicated when supervision is enabled and the unit is not able to successfully communicate with the receiver. If this trouble persists, contact the central station.
[09] Alternate Comm Fault The alternate communicator has not responded to any poll commands. Alt Comm Fault is displayed in [*][2] and the event buffer.	Check section [382] toggle option [5] is ON if using an Alarm.com alternate communicator. If not, it should be OFF. Ensure the PC-LINK cable between the panel and Alarm.com communicator is connected properly (not reversed) and is securely in place.
[10] Alternate Comm FTC Fault	The unit has exhausted all communications attempts to all programmed receivers for events generated by the communicator. Restart the system and if trouble persists, contact the dealer.

Trouble [12] Not Networked	Press [12] to toggle through troubles
Trouble	Troubleshooting
[01] Zones 1-248 [02] Keypad 1-32 [03] Siren 1-16 [04] Repeater 1-8 [05] User 1-32 A device is out of sync with the wireless network or was not synchronized with the network after enrollment.	Ensure the device is physically present. Check the current signal strength and during the last 24 hours. Replace the battery or press the tamper switch. Enroll the device again. If wireless devices were recently enrolled, or the HSM2HOST was power cycled, wait up to 16 minutes for the device to synchronize to the network.

Trouble [13] AUX Trouble	Press [13] to toggle through troubles
Trouble	Troubleshooting
[05] HSM2300 [06] HSM2204 [07] System area [10] HSM3408 [11] HSM3204CX [12] HSM3350 AUX 1 trouble [13] HSM3350 AUX 2 trouble An auxiliary power supply trouble is present.	Check for a short between Aux+ and Aux- or other system ground. Ensure the aux current draw has not exceeded the documented limits. Ensure voltage between AUX+ and AUX - is between 9VDC to 14VDC.

Trouble [14] Module Tamper	Press [14] to determine specific trouble
Trouble	Troubleshooting
[01] Interactive Zone [02] Interactive Partition	Check the Alarm.com communicator firmware is compatible with PSP firmware to support extended number of Zones and Partitions. Interactive Zone trouble is generated when the Alarm.com firmware does not support the configured number of zones in panel (>220 Zones) and Interactive Partition Trouble is generated when the Alarm.com firmware does not support configured number of Partitions. Ensure to configure compatible number of zones and partitions while using with Alarm.com.

i Note: Ensure you have the alarm controller type and version (for example, HSM3032 V1.1) and the list of modules connected to control panel, (for example, HSM2108, HSM2HOSTx and so on) available before contacting Customer Support. Version number can be accessed by entering [*][Installer Code][900] on any LCD keypad. This information is also located on a sticker on the printed circuit board.

Reporting codes

The following tables contain Contact ID and Automatic SIA format reporting codes. [308] [Event Reporting](#) for event reporting codes.

Contact ID

Each of the digits indicate specific information about the signal. For example, if zone 1 is an entry/exit point, the event code contains [34]. The central station would receive the following: *BURG-ENTRY/EXIT - 1 where the "1" indicates which zone went into alarm.

SIA Format - Level 2 (Hard Coded)

The SIA communication format used in this product follows the level 2 specifications of the SIA Digital Communication Standard - October 1997. This format sends the account code along with its data transmission. The transmission appears similar to the following at the receiver:

N ri1 BA 01

N = New Event

ri1 = Partition /Area Identifier

BA = Burglary Alarm

01 = Zone 1

A system event uses the Area Identifier ri00.

Contact ID and SIA Zone Alarm/Restore Event Codes

Section #	Definition	Dialer Direction*	Automatic Contact ID Codes	SIA Auto Rep Codes**
Zone Events				
[307]	Zone Alarms	A/R		
[307]	Zone Restores	A/R		
[307]	Zone tamper/restore	MA/R	E(3)83-ZZZ / R(3)83-ZZZ	TA-ZZZ / TR-ZZZZ
[307]	Zone fault/restore	MA/R	E(3)8A-ZZZ / R(3)8A-ZZZ	UT-ZZZZ / UJ-ZZZZ
Tamper Events				
[308]-[101]	Keypad 1-32 tamper/restore alarm	T/R	E(3)83-(601-632) R(3)83-(601-632)	TA-(0601-0632) TR-(0601-0632)
[308]-[101]	Siren 1-16 tamper/restore alarm	T/R	E (3)83-(801-816) R (3)83-(801-816)	TA-(0801-0816) TR-(0801-0816)
[308]-[101]	Repeater 1-8 tamper/restore alarm	T/R	E(3)83-(901-908) R (3)83-(901-908)	TA-(0901-0908) TR-(0901-0908)
[308]-[101]	HSM2108: 8-Zone Expander module #1-30 tamper/restored	T/R	E(3)41-(101-130) R(3)41-(101-130)	ES-(0101-0130) EJ-(0101-0130)
[308]-[101]	HSM2208: 8-Output Expander module #1-16 tamper/restored	T/R	E(3)41-(201-216) R(3)41-(201-216)	ES-(0201-0216) EJ-(0201-0216)
[308]-[101]	HSM2204: Power Supply-1A (4 high-current outputs) #1-4 tamper/restored	T/R	E(3)41-(601-604) R(3)41-(601-604)	ES-(0601-0604) EJ-(0601-0604)
[308]-[101]	HSM2300: Power Supply module #1-4 tamper/restored	T/R	E(3)41-(621-624) R(3)41-(621-624)	ES-(0621-0624) EJ-(0621-0624)

Section #	Definition	Dialer Direction*	Automatic Contact ID Codes	SIA Auto Rep Codes**
[308]-[101]	HSM2955: Audio module tamper/restored	T/R	E(3)41-553 R(3)41-553	ES-0553 EJ-0553
[308]-[101]	HSM3408: 8 I/O Expansion module #1-30 tamper/restored	T/R	E(3)41-(301-330) R(3)41-(301-330)	ES-(0301-0330) EJ-(0301-0330)
[308]-[101]	HSM3204CX: Corbus repeater module #1-8 tamper/restored	T/R	E(3)41-(801-816) R(3)41-(801-816)	ES-(0801-0816) EJ-(0801-0816)
[308]-[101]	HSM3350: 3A Power supply module #1-4 tamper/restored	T/R	E(3)41-(651-654) R(3)41-(651-654)	ES-(0651-0654) EJ-(0651-0654)
[308]-[101]	Keypad Lockout - Incorrect access code entry	T/R	E(4)61-000	JA-0000
Opening Events				
[308]-[201]	User Openings - Disarmed by user	O/C	E(4)A1-UUU	OP-UUUU
[308]-[202]	Automatic Arming Canceled	O/C	E(4)64-UUU	CI-0000
[308]-[201]	Special Opening - System disarmed using: keyswitch, maintenance code, DLS software, wireless key	O/C	E(4)AA-000	OP-0000
[308]-[211]	Late to Open - System not disarmed before late to open time expired	O/C	E(4)53-000	CT-0000
[308]-[202]	Automatic (Schedule) Opening	O/C	E(4)A3-000	OA-0000
[308]-[201]	Keyswitch Open	O/C	E(4)A9-ZZZ	OS-ZZZZ
Closing Events				
[308]-[201]	User Closings - System armed by user, wireless key	O/C	R(4)A1-UUU	CL-UUUU
[308]-[221]	Partial Closing - 1 or more zones bypassed when armed	O/C	E(4)56-000	CG-0000
[308]-[201]	Special Closing - System armed via: quick arm, keyswitch, function key, maintenance code, DLS software	O/C	R(4)AA-000	CL-0000
[308]-[211]	Late to Close - Auto-arm prealert sounded	O/C	E(4)54-000	CI-0000
[308]-[211]	Exit Fault	O/C	E(3)74-ZZZ	EA-ZZZZ
[308]-[211]	Arming cancelled	O/C	E(4)54-UUU	CI-PPPP Note: Where PPPP is the partition number.
[308]-[202]	Automatic (Schedule) Closing	O/C	R (4)A3-000	CA-0000
[308]-[201]	Keyswitch Close	O/C	R(4)A9-ZZZ	CS-ZZZZ
System Trouble Events				

Section #	Definition	Dialer Direction*	Automatic Contact ID Codes	SIA Auto Rep Codes**
[308]-[301]	Battery trouble/restore - Main panel	MA/R	E(3)A2-000 / R(3)A2-000	YT-0000 / YR-0000
[308]-[301]	Battery absent trouble/restore - Main panel	MA/R	E(3)11-000 / R(3)11-000	YM-0000 / YR-0000
[308]-[301]	Power unit failure trouble/restore	MA/R	E(3)14-000 / R(3)14-000	YP-0000 / YQ-0000
[308]-[301]	Panel AC trouble/restore - Main panel	MA/R	E(3)A1-000 / R(3)A1-000	AT-0000 / AR-0000
[308]-[302]	Bell circuit trouble/restore	MA/R	E(3)21-000 / R(3)21-000	YA-9999 / YH-9999
[308]-[302]	TLM (telephone line) fail/restore	MA/R	E(3)51-000 / R(3) 51-000	LT-0001 / LR-0001
[308]-[302]	Auxiliary power trouble/restore	MA/R	E(3) 12-000 / R(3) 12-000	YP-0000 / YQ-0000
[308]-[302]	Corbus output fault/restore	MA/R	E(3)12-000 / R(3)12-000	YP-0000 / YQ-0000
[308]-[302]	Panel overcurrent trouble/restore	MA/R	E(3)12-000 / R(3)12-000	YI-0000 / YJ-0000
[308]-[305]	PGM 2, 2-wire smoke trouble/restore	MA/R	E(3)73-992 / R(3)73-992	FT-0992 / FJ-0992
Module Troubles				
[308]-[332]	Hardwired Module Low Voltage trouble/restore - Keypads	MA/R	E(3)AA-001-032 R(3)AA-001-032	EM-0001-0032 EN-0001-0032
[308]-[332]	Hardwired Module Low Voltage trouble/restore - HSM2108	MA/R	E (3)AA-101-130 R (3)AA-101-130	EM-0101-0130 EN-0101-0130
[308]-[332]	Hardwired Module Low Voltage trouble/restore - HSM2208	MA/R	E(3)AA-201-216 R(3)AA-201-216	EM-0201-0216 EN-0201-0216
[308]-[332]	Hardwired Module Low Voltage trouble/restore - HSM2HOST	MA/R	E (3)AA-551 R (3)AA-551	EM-0551 EN-0551
[308]-[332]	Hardwired Module Low Voltage trouble/restore - HSM2204	MA/R	E(3)AA-601-604 R(3)AA-601-604	EM-0601-0601 EN-0601-0604
[308]-[332]	Hardwired Module Low Voltage trouble/restore - HSM2300	MA/R	E (3)AA-621-624 R (3)AA-621-624	EM-0621-0624 EN-0621-0624
[308]-[332]	Hardwired Module Low Voltage trouble/restore - HSM2955	MA/R	E(3)AA-553 R(3)AA-553	EM-0553 EN-0553
[308]-[332]	Hardwired Module Supervisory trouble/restore - Keypads	MA/R	E(3)3A-001-032 R(3)3A-001-032	ET-0001-0032 ER-0001-0032
[308]-[332]	Hardwired Module Supervisory trouble/restore - HSM2108	MA/R	E (3)3A-101-130 R (3)3A-101-130	ET-0101-0162 ER-0101-0162
[308]-[332]	Hardwired Module Supervisory trouble/restore - HSM2208	MA/R	E(3)3A-201-216 R(3)3A-201-216	ET-0201-0216 ER-0201-0216
[308]-[332]	Hardwired Module Supervisory trouble/restore - HSM2HOST	MA/R	E(3)3A-551 R(3)3A-551	ET-0551 ER-0551

Section #	Definition	Dialer Direction*	Automatic Contact ID Codes	SIA Auto Rep Codes**
[308]-[332]	Hardwired Module Supervisory trouble/restore - HSM2204	MA/R	E (3)3A-601-604 R (3)3A-601-604	ET-0601-0601 ER-0601-0604
[308]-[332]	Hardwired Module Supervisory trouble/restore - HSM2300	MA/R	E(3)3A-621-624 R(3)3A-621-624	ET-0621-0624 ER-0621-0624
[308]-[332]	Hardwired Module Supervisory trouble/restore - HSM2955	MA/R	E(3)3A-553 R(3)3A-553	ET-0553 ER-0553
[308]-[332]	HSM2204 Aux Supply 1-4 trouble/restore	MA/R	E(3)12-601-604 R(3)12-601-604	YI-0601-604 YJ-0601-0604
[308]-[332]	HSM2300 Aux Supply 1-4 trouble/restore	MA/R	E(3)12-621-624 R(3)12-621-624	YI-0621-624 YJ-0621-624
[308]-[332]	HSM3408 Aux Supply 1-30 trouble/restore	MA/R	E(3)12-301-330 R(3)12-301-330	YI-0301-0330 YJ-0301-0330
[308]-[332]	HSM3204CX Aux Supply 1-16 trouble/restore	MA/R	E(3)12-801-816 R(3)12-801-816	YI-0801-0816 YJ-0801-0816
[308]-[332]	HSM3204CX: Corbus output 1-16 trouble/restore	MA/R	E(3)12-801-816 R(3)12-801-816	YI-0801-0816 YJ-0801-0816
[308]-[332]	HSM3350 Aux Supply 1-4 trouble/restore	MA/R	E(3)12-651-654 R(3)12-651-654	YI-0651-0654 YJ-0651-0654
[308]-[331]	HSM2204 1-4 Low Battery trouble/restore	MA/R	E(3)A2-601-604 R(3)A2-601-604	YT-0601-0604 YR-0601-0604
[308]-[331]	HSM2300 1-4 Low Battery trouble/restore	MA/R	E(3)A2-621-624 R(3)A2-621-624	YT-0621-0624 YR-0621-0624
[308]-[331]	HSM3204CX 1-16 Low Battery trouble/restore	MA/R	E(3)A2-801-816 R(3)A2-801-816	YT-0801-0816 YR-0802-0816
[308]-[331]	HSM3350 1-4 Low Battery trouble/restore	MA/R	E(3)A2-651-654 R(3)A2-651-654	YT-0651-0654 YR-0651-0654
[308]-[331]	HSM2204 1-4 Battery absent trouble/restore	MA/R	E(3)11-601-604 R(3)11-601-604	YM-0601-0604 YR-0601-0604
[308]-[331]	HSM2300 1-4 Battery absent trouble/restore	MA/R	E(3)11-621-624 R(3)11-621-624	YM-0621-0624 YJ-0621-0624
[308]-[331]	HSM3204CX 1-16 Battery 1 or 2 absent / restore	MA/R	E(3)11-801-816 R(3)11-801-816	YM-0801-0816 YR-0801-0816
[308]-[331]	HSM3350 1-4 Battery absent /restore	MA/R	E(3)11-651-654 R(3)11-651-654	YM-0651-0654 YR-0651-0654
[308]-[331]	HSM3204CX 1-16 Power unit failure/restore	MA/R	E(3)14-801-816 R(3)14-801-816	YP-0801-0816 YQ-0801-0816
[308]-[331]	HSM3350 1-4 Power unit failure/restore	MA/R	E(3)14-651-654 R(3)14-651-654	YP-0651-0654 YQ-0651-0654
[308]-[331]	HSM3204CX 1-16 AC failure /restore	MA/R	E(3)A1-801-816 R(3)A1-801-816	AT-0801-0816 AR-0801-0816
[308]-[331]	HSM3350 1-4 AC failure /restore	MA/R	E(3)A1-651-654 R(3)A1-651-654	AT-0651-0654 AR-0651-0654
Alternate Communicator				
[308]-[351]	Alternate Communicator fault/restore	MA/R	E(3)3A-000 R(3)3A-000	ET-0000 / ER-0000

Section #	Definition	Dialer Direction*	Automatic Contact ID Codes	SIA Auto Rep Codes**
[308]-[351]	Alternate Communicator Radio/SIM failure/restore	MA/R	E(3)AA-001 R(3)AA-001	YX-0001 / YZ-0001
[308]-[351]	Alternate Communicator cellular trouble/restore	MA/R	E(3)AA-001 R(3)AA-001	YX-0001 / YZ-0001
[308]-[352]	Alternate Communicator Ethernet trouble/restore	MA/R	E(3)AA-001 R(3)AA-001	YX-0001 / YZ-0001
[308]-[354]	Alternate Communicator Receiver 1-4 absent/restore	MA/R	E(3)5A-001-004 R(3)5A-001-004	YS-0001-0004 YK-0001-0004
[308]-[355]	Alternate Communicator Receiver 1-4 Supervisory trouble/restore	MA/R	E(3)5A-001-004 R(3)5A-001-004	YS-0001-0004 YK-0001-0004
[308]-[353]	Alternate Communicator SMS Config trouble/restore	MA/R	E(3)AA-001 R(3)AA-001	YX-0001 / YZ-0001
[308]-[351]	Receiver X FTC Restoral	MA/R	R(3)54-00X	YK-000X
On-Board Communicator				
[851][025]	Radio activation restore	N/A	R(5)52-001	RS-0001
[851][226]	Ethernet Receiver 1 Test Transmission	N/A	E(6)A3-951	RP-0001
[851][227]	Ethernet Receiver 2 Test Transmission	N/A	E(6)A3-952	RP-0002
[851][228]	Cellular Receiver 3 Test Transmission	N/A	E(6)A3-955	RP-0003
[851][229]	Cellular Receiver 4 Test Transmission	N/A	E(6)A3-956	RP-0004
[851][230]	Alternate Communicator FTC Restore	N/A	R(3)54-001	YK-0001
Wireless Events				
[308]-[361]	Wireless Zone Low Battery trouble/restore ZZZ= Wireless zones 001-248.	MA/R	E(3)84-ZZZ R(3)84-ZZZ	XT-ZZZZ XR-ZZZZ
[308]-[361]	Wireless Device Low Battery trouble/restore.ZZZ= 601-616: wireless keypads701-732: wireless keys801-816: wireless sirens901-908: wireless repeaters	MA/R	E(3)84-ZZZ R(3)84-ZZZ	XT-ZZZZ XR-ZZZZ
[308]-[361]	Wireless Zone AC trouble/restore	MA/R	E(3)A1-ZZZ R(3)A1-ZZZ	AT-ZZZZ AR-ZZZZ
[308]-[361]	Wireless Device Fault/restore	MA/R	E(3)8A-ZZZ R(3)8A-ZZZ	UT-ZZZZ UJ-ZZZZ
[308]-[361]	Wireless Temperature and Flood Probe trouble/restore	MA/R	E(3)8A-ZZZ R(3)8A-ZZZ	KT-ZZZZ KJ-ZZZZ
[308]-[361]	Freeze trouble/restore	MA/R	E(3)8A-ZZZ R(3)8A-ZZZ	ZT/ZJ-ZZZZ

Section #	Definition	Dialer Direction*	Automatic Contact ID Codes	SIA Auto Rep Codes**
[308]-[361]	Self Test Trouble/Restore* Note: To prevent a reporting code conflict do not program PG9984 as zone 1.	MA/R	E (3)89-ZZZ R (3)89-ZZZ	YX/YZ-ZZZZ
[308]-[361]	Carbon monoxide trouble/restore	MA/R	E(3)8A-ZZZ R(3)8A-ZZZ	AT-(0901-0908) AR-(0901-0908)
[308]-[361]	Wireless repeater 1-8 AC fail/restore	MA/R	E(3)A1-(901-908) R(3)A1-(901-908)	UT/UJ-ZZZZ
[308]-[361]	RF jam/restore	MA/R	E(3)44-000 R(3)44-000	XQ-0000 XH-0000
[308]-[361]	Wireless repeater 1-8 RF jam/restore	MA/R	E(3)44-(901-908) R(3)44-(901-908)	XQ-(0901-0908) XH-(0901-0908)
Miscellaneous Alarms				
[308]-[001]	Duress Alarm - Code entered at keypad	A/R	E(1)21-000	HA-0000
[308]-[001]	Opening After Alarm - Disarmed with alarm in memory	A/R	E(4)58-000	OR-0000
[308]-[001]	Recent Closing - Alarm occurs within two minutes of system arming	A/R	E(4)59-UUU	CR-UUUU
[308]-[001]	Burglary Verified	A/R	E(1)39-000	BV-0000
[308]-[001]	Burglary Not Verified	A/R	E(3)78-000	BG-0000
[308]-[001]	HSM2108 Zone Expander Supervisory Alarm/restore	A/R	E(1)43-000 R(1)43-000	UA-0000 / UH-0000
[308]-[002]	Holdup Verified	A/R	E(1)29-000	HV-0000
[308]-[003]	Holdup Unverified	A/R	E(3)79-000	HG-0000
[308]-[011]	Alarm Canceled before expiry of alarm cancellation timer	A/R	E(4)A6-UUU	OC-UUUU
[308]-[011]	PGM2 (Silent 24 Hour Input) -Aux Input Alarm/restore	A/R	E(1)46-992 R(1)46-992	UA-0992 / UH-0992
[308]-[011]	PGM2 (Audible 24 Hour Input) -Aux Input Alarm/restore	A/R	E(1)4A-992 R(1)4A-992	UA-0992 / UH-0992
[308]-[305]	PGM2 2-Wire Smoke Alarm/Restore	A/R	E(1)11-992 R(1)11-992	FA-0992 / FH-0992
Priority Alarm and Restoral Events				
[308]-[011]	[F] Key alarm/restore	A/R	E(1)1A-000 R(1)1A-000	FA-0000 / FH-0000
[308]-[011]	[M] Key alarm/restore	A/R	E(1)AA-000 R(1)AA-000	MA-0000 / MH-0000
[308]-[011]	[P] Key alarm/restore	A/R	E(1)2A-000 R(1)2A-000	PA-0000 / PH-0000
[308]-[011]	Wireless key fire alarm/restore	A/R	E(1)1A-000 R(1)1A-000	FA-0000 / FH-0000
[308]-[011]	Wireless key medical alarm/restore	A/R	E(1)AA-000 R(1)AA-000	MA-0000 / MH-0000

Section #	Definition	Dialer Direction*	Automatic Contact ID Codes	SIA Auto Rep Codes**
[308]-[011]	Wireless key panic alarm/restore	A/R	E(1)2A-000 R(1)2A-000	PA-0000 / PH-0000
[308]-[011]	Interactive fire alarm/restore	A/R	E(1)1A-000 R(1)1A-000	FA-0000 / FH-0000
[308]-[011]	Interactive medical alarm/restore	A/R	E(1)AA-000 R(1)AA-000	MA-0000 / MH-0000
[308]-[011]	Interactive panic alarm/restore	A/R	E(1)2A-000 R(1)2A-000	PA-0000 / PH-0000
Miscellaneous Closing				
[308]-[221]	Zone Bypass at time of arming	O/C	E(5)7A-ZZZ	UB-ZZZZ
[308]-[221]	Zone Unbypass	O/C	R(5)7A-ZZZ	UU-ZZZZ
Testing				
[308]-[401]	Walk Test Begin/End	T	E(6)A7-UUU R(6)A7-UUU	TS-UUUU/TE-UUUU
[308]-[401]	Periodic Test	T	E(6)A2-000	RP-0000
[308]-[401]	Periodic Test with Trouble	T	E(6)A8-000	RP-0000
[308]-[401]	System Test - [*][6] bell/communications test	T	E(6)A1-000	RX-0000
Maintenance				
[308]-[311]	Fire trouble/restore	MA/R	E(3)73-ZZZ R(3)73-ZZZ	FT-ZZZZ / FJ-ZZZZ
[308]-[314]	Gas trouble/restore	MA/R	E(3)8A-ZZZ R(3)8A-ZZZ	GT-ZZZZ / GJ-ZZZZ
[308]-[314]	Heat trouble/restore	MA/R	E(3)8A-ZZZ R(3)8A-ZZZ	KT-ZZZZ / KJ-ZZZZ
[308]-[311]	Cold Start - System has restarted after total power loss	MA/R	R(3) A5-000	RR-0000
[308]-[312]	Event Buffer 75% Full	MA/R	E(6)22-000	JL-0000
[308]-[312]	DLS Lead In - Download session start	MA/R	E(4)11-000	RB-0000
[308]-[312]	DLS Lead Out - Download session stop	MA/R	E(4)12-000	RS-0000
[308]-[312]	SA Lead In - Download session start	MA/R	E(4)11-000	RB-0000
[308]-[312]	SA Lead Out - Download session stop	MA/R	E(4)12-000	RS-0000
[308]-[312]	Installer Lead In - Installer Programming entered	MA/R	E(6)27-000	LB-0000
[308]-[312]	Installer Lead out - Installer Programming exited	MA/R	E(6)28-000	LS-0000
[308]-[313]	Panel firmware update begin/ successful	MA/R	E(9)01-900 R(9)01-900	LB-0900 LS-0900
[308]-[313]	Panel firmware update fail	MA/R	E(9)02-900	LU-0900
[308]-[313]	Radio firmware update begin/successful	MA/R	E(9)03-902 R(9)03-902	LB-0000 LS-0000
[308]-[313]	Radio firmware update fail	MA/R	E(9)04-903	LU-0000

Section #	Definition	Dialer Direction*	Automatic Contact ID Codes	SIA Auto Rep Codes**
[308]-[321]	Panel power unit fail/restore	MA/R	E(3)14-000 R(3)14-000	YP-000 YQ-000
*	A/R = alarms/restores; T/R = tampers/restorers; O/C = openings/closings; MA/R = maintenance alarms/restores; T = test transmissions			
**	UUU = user number (user 001-1000). Note that for CID, enter 999 for user 1000. ZZZ/ZZZZ = zone number (001-248).			
***	Zones and panic pendants are identified, wireless keys can be identified for openings and closings.			
*	A/R = alarms/restores; T/R = tampers/restorers; O/C = openings/closings; MA/R = maintenance alarms/restores; T = test transmissions			
**	UUU = user number (user 001-1000). Note that for CID, enter 999 for user 1000. ZZZ/ZZZZ = zone number (001-248).			
***	Zones and panic pendants are identified, wireless keys can be identified for openings and closings.			

Contact ID & SIA Zone Alarm/Restore Event Codes

(as per SIA DCS: 'Contact ID' 01-1999):

The table below defines the meaning of all Contact ID and SIA zone alarm/restore event codes.

Zone Definition	SIA Auto Rep Codes	Contact ID Auto Rep Codes
Delay 1	BA-ZZZZ / BH-ZZZZ	E(1) 3A - ZZZ / R(1)3A- ZZZ
Delay 2	BA-ZZZZ / BH-ZZZZ	E(1) 3A - ZZZ / R(1)3A- ZZZ
Instant	BA-ZZZZ / BH-ZZZZ	E(1) 3A - ZZZ / R(1)3A- ZZZ
Interior	BA-ZZZZ / BH-ZZZZ	E(1) 3A - ZZZ / R(1)3A- ZZZ
Interior Stay/Away	BA-ZZZZ / BH-ZZZZ	E(1) 3A - ZZZ / R(1)3A- ZZZ
Delay Stay/Away	BA-ZZZZ / BH-ZZZZ	E(1) 3A - ZZZ / R(1)3A- ZZZ
Instant Stay/Away	BA-ZZZZ / BH-ZZZZ	E(1) 3A - ZZZ / R(1)3A- ZZZ
Interior Delay	BA-ZZZZ / BH-ZZZZ	E(1) 3A - ZZZ / R(1)3A- ZZZ
Day Zone	BA-ZZZZ / BH-ZZZZ	E(1) 3A - ZZZ / R(1)3A- ZZZ
Night Zone	BA-ZZZZ / BH-ZZZZ	E(1) 3A - ZZZ / R(1)3A- ZZZ
24-Hr. Burglary	BA-ZZZZ / BH-ZZZZ	E(1) 3A - ZZZ / R(1)3A- ZZZ
Delayed 24-Hr. Fire (Wireless)	FA-ZZZZ / FH-ZZZZ	E(1) 1A - ZZZ / R(1)1A - ZZZ
Standard 24-Hr. Fire (Wireless)	FA-ZZZZ / FH-ZZZZ	E(1) 1A - ZZZ / R(1)1A - ZZZ
24-Hr. Sprinkler	SA-ZZZZ / SH-ZZZZ	E(1) 13 - ZZZ / R(1)13 - ZZZ
24-Hr. Low Temperature	ZA-ZZZZ / ZH-ZZZZ	E(1) 59 - ZZZ / R(1)59-ZZZ
24-Hr High Temperature	KA-ZZZZ / KH-ZZZZ	E(1) 58 - ZZZ / R(1)58 - ZZZ
24-Hr. Latching Tamper	BA-ZZZZ / BH-ZZZZ	E(1) 3A - ZZZ / R(1)3A- ZZZ
24-Hr. Non Alarm (Walk Test Only)	BA-ZZZZ / BH-ZZZZ	E(1) 3A - ZZZ / R(1)3A- ZZZ
24-Hr. Non-latching Tamper	TA-ZZZZ / TR-ZZZZ	E(3) 83 - ZZZ / R(3)83 - ZZZ
24-Hr. Masking Trouble	UT-ZZZZ / UJ-ZZZZ	E(3) 8A - ZZZ / R38A-ZZZ
Momentary Keyswitch Arm (Walk Test Only)	BA-ZZZZ / BH-ZZZZ	E(1) 3A - ZZZ / R(1)3A- ZZZ
Maintained Keyswitch Arm (Walk Test Only)	BA-ZZZZ / BH-ZZZZ	E(1) 3A - ZZZ / R(1)3A- ZZZ

Zone Definition	SIA Auto Rep Codes	Contact ID Auto Rep Codes
Momentary Keyswitch Disarm (Walk Test Only)	BA-ZZZZ / BH-ZZZZ	E(1) 3A - ZZZ / R(1)3A- ZZZ
Maintained Keyswitch Disarm (Walk Test Only)	BA-ZZZZ / BH-ZZZZ	E(1) 3A - ZZZ / R(1)3A- ZZZ
24-Hr. Supervisory	US-ZZZZ / UR-ZZZZ	E(1) 5A - ZZZ / R(1)5A - ZZZ
24-Hr. Supervisory Buzzer	UA-ZZZZ / UH-ZZZZ	E(1) 5A - ZZZ / R(1)5A - ZZZ
24-Hr. Auto Verified Fire (Wireless)	FA-ZZZZ / FH-ZZZZ	E(1) 1A - ZZZ / R(1)1A - ZZZ
Fire Supervisory	FS-ZZZZ / FV-ZZZZ	E(2) AA - ZZZ / R(2)AA - ZZZ
24-Hr. Gas	GA-ZZZZ / GH-ZZZZ	E(1) 51 - ZZZ / R(1)51 - ZZZ
24-Hr. CO Alarm	GA-ZZZZ / GH-ZZZZ	E(1) 62 - ZZZ / R(1)62 - ZZZ
24-Hr. Holdup	HA-ZZZZ / HH-ZZZZ	E(1) 22 - ZZZ / R(1)22 - ZZZ
24-Hr. Panic	PA-ZZZZ / PH-ZZZZ	E(1) 2A - ZZZ / R(1)2A - ZZZ
24-Hr. Flood	WA-ZZZZ / WH-ZZZZ	E(1) 54 - ZZZ / R(1)54 - ZZZ
24-Hr Heat	KA-ZZZZ / KH-ZZZZ	E(1) 58 - ZZZ / R(1)58 - ZZZ
24-Hr. Medical	MA-ZZZZ / MH-ZZZZ	E(1) AA - ZZZ / R(1)AA - ZZZ
24-Hr. Emergency	QA-ZZZZ / QH-ZZZZ	E(1) A1 - ZZZ / R(1)A1 - ZZZ
Push to Set (Walk Test Only)	BA-ZZZZ / BH-ZZZZ	E(1) 3A - ZZZ / R(1)3A - ZZZ
Final Door Set	BA-ZZZZ / BH-ZZZZ	E(1) 3A - ZZZ / R(1)3A - ZZZ
ZZZ/ZZZZ = zones 001-248		

Word library

1	Aborted	2	AC	3	Access	4	Active	5	Activity
6	Alarm	7	All	8	AM	9	Area	10	Arm
11	Armed	12	Arming	13	Attic	14	Auxiliary	15	Away
16	Baby	17	Back	18	Bar	19	Basement	20	Bathroom
21	Battery	22	Bedroom	23	Bonus	24	Bottom	25	Breezeway
26	Building	27	Bus	28	Bypass	29	Bypassed	30	Cabinet
31	Camera	32	Canceled	33	Car	34	Carbon	35	Central
36	Chime	37	Closed	38	Closet	39	Closing	40	Code
41	Communicator	42	Computer	43	Control	44	Date	45	Daughter's
46	Degrees	47	Delay	48	Den	49	Desk	50	Detector
51	Dining	52	Disarmed	53	Door	54	Down	55	Download
56	Downstairs	57	Drawer	58	Driveway	59	Duct	60	Duress
61	East	62	Energy	63	Enter	64	Entry	65	Error
66	Exercise	67	Exit	68	Exterior	69	Factory	70	Failure
71	Family	72	Father's	73	Feature	74	Fence	75	Fire
76	First	77	Floor	78	Force	79	Foyer	80	Freeze
81	Front	82	Furnace	83	Gallery	84	Garage	85	Gas
86	Glass	87	Goodbye	88	Gym	89	Hallway	90	Heat
91	Hello	92	Help	93	High	94	Home	95	House
96	In	97	Install	98	Interior	99	Intrusion	100	Invalid
101	Is	102	Key	103	Kids	104	Kitchen	105	Latchkey
106	Laundry	107	Left	108	Level	109	Library	110	Light
111	Lights	112	Living	113	Load	114	Loading	115	Low
116	Lower	117	Main	118	Master	119	Mat	120	Medical
121	Memory	122	Menu	123	Monoxide	124	Mother's	125	Motion
126	No	127	North	128	Not	129	Now	130	Number
131	Off	132	Office	133	OK	134	On	135	Open
136	Opening	137	Panic	138	Partition	139	Patio	140	Pet
141	Phone	142	Please	143	PM	144	Police	145	Pool
146	Porch	147	Power	148	Press	149	Program	150	Progress
151	Quiet	152	Rear	153	Receiver	154	Report	155	RF
156	Right	157	Room	158	Safe	159	Saver	160	Schedule
161	Screen	162	Second	163	Sensor	164	Service	165	Shed
166	Shock	167	Shop	168	Side	169	Siren	170	Sliding
171	Smoke	172	Son's	173	Sound	174	South	175	Special
176	Stairs	177	Stay	178	Sun	179	Supervisory	180	System
181	Tamper	182	Temperature	183	Test	184	Time	185	To
186	Touchpad	187	Trouble	188	Unbypass	189	Unit	190	Up
191	West	192	Window	193	Zone	194	0	195	1

196	2	197	3	198	4	199	5	200	6
201	7	202	8	203	9	204	A	205	B
206	C	207	D	208	E	209	F	210	G
211	H	212	I	213	J	214	K	215	L
216	M	217	N	218	O	219	P	220	Q
221	R	222	S	223	T	224	U	225	V
226	W	227	X	228	Y	229	Z	230	(Space)
231	' (Apostrophe)	232	- (Dash)	233	_ (Underscore)	234	*	235	#
236	:	237	/	238	?	239		240	

Template programming tables

The following tables show the programming options for template programming digits 1-5.

Digit 1 – Zones 1-8 Definition Options

Note: A “0” in the digit 1 location indicates that the first 8 zones use the panel default zone definitions.

Option	Zone 1	Zone 2	Zone 3	Zone 4	Zone 5	Zone 6	Zone 7	Zone 8	Zone Definitions (Options 1- 6)
1	001	003	003	003	004	004	004	004	001 Delay 1
2	001	003	003	005	005	005	005	008	003 Instant
3	001	003	003	005	005	005	005	007	004 Interior
4	001	001	003	003	003	003	003	003	005 Interior Stay/Away
5	001	003	003	006	005	005	005	005	006 Delayed Stay/Away
6	001	003	003	006	005	005	005	008	007 Delayed 24Hr. Fire
7 (ADT)	001	001	006	006	006	001	001	001	008 Standard 24Hr. Fire (Wireless)

Refer to [\[001\] zone types](#) for details.

Digit 2 – System EOL Configuration Options

Option	EOL configuration	[13] bit 1	[13] bit 2
1	NC Loops	ON	OFF
2	SEOL	OFF	OFF
3	DEOL	OFF	ON

Digit 3 – Reporting Code Communication Options

Entry	Template	Programming
1	Disabled	[380] Comm Toggles 1 - Bit 1 Communications Enabled - Off
2	Receiver 1 and 2 SIA with Backup	<p>[380] Comm Toggles 1 - Bit 1 Communications Enabled - On</p> <p>[350] Communicator Formats - [001] Receiver 1 - 04 SIA</p> <p>[350] Communicator Formats - [002] Receiver 2 - 04 SIA</p> <p>[350] Communicator Formats - [003] Receiver 3 - 04 SIA</p> <p>[350] Communicator Formats - [004] Receiver 4 - 04 SIA</p> <p>[381] Comm Toggles 2 - Bit 2 Bell Ringback - Off</p> <p>[384] Comm Backup - Bit 2 Receiver 2 Backup - On</p> <p>[384] Comm Backup - Bit 2 Receiver 2 Backup - Off</p> <p>[384] Comm Backup - Bit 2 Receiver 2 Backup - Off</p> <p>[300] Comm Path - [001] Receiver 1 - 01 PSTN</p> <p>[300] Comm Path - [002] Receiver 2 - 01 PSTN</p> <p>[300] Comm Path - [003] Receiver 3 - 01 PSTN</p> <p>[300] Comm Path - [004] Receiver 4 - 01 PSTN</p>

Entry	Template	Programming
3	Receiver 1 SIA, Receiver 2 CID with backup	<p>[380] Comm Toggles 1 - Bit 1 Communications Enabled - On</p> <p>[350] Communicator Formats - [001] Receiver 1 - 03 CID</p> <p>[350] Communicator Formats - [002] Receiver 2 - 04 SIA</p> <p>[350] Communicator Formats - [003] Receiver 3 - 04 SIA</p> <p>[350] Communicator Formats - [004] Receiver 4 - 04 SIA</p> <p>[384] Comm Backup - Bit 2 Receiver 2 Backup - On</p> <p>[384] Comm Backup - Bit 2 Receiver 2 Backup - Off</p> <p>[384] Comm Backup - Bit 2 Receiver 2 Backup - Off</p> <p>[300] Comm Path - [001] Receiver 1 - 01 PSTN</p> <p>[300] Comm Path - [002] Receiver 2 - 01 PSTN</p> <p>[300] Comm Path - [003] Receiver 3 - 01 PSTN</p> <p>[300] Comm Path - [004] Receiver 4 - 01 PSTN</p>

Entry	Template	Programming
4	Receiver 1 SIA	<p>[380] Comm Toggles 1 - Bit 1 Communications Enabled - On</p> <p>[350] Communicator Formats - [001] Receiver 1 - 04 SIA</p> <p>[350] Communicator Formats - [002] Receiver 2 - 04 SIA</p> <p>[350] Communicator Formats - [003] Receiver 3 - 04 SIA</p> <p>[350] Communicator Formats - [004] Receiver 4 - 04 SIA</p> <p>[381] Comm Toggles 2 - Bit 2 Bell Ringback - Off</p> <p>[384] Comm Backup - Bit 2 Receiver 2 Backup - Off</p> <p>[384] Comm Backup - Bit 2 Receiver 2 Backup - Off</p> <p>[384] Comm Backup - Bit 2 Receiver 2 Backup - Off</p> <p>[300] Comm Path - [001] Receiver 1 - 01 PSTN</p> <p>[300] Comm Path - [002] Receiver 2 - 01 PSTN</p> <p>[300] Comm Path - [003] Receiver 3 - 01 PSTN</p> <p>[300] Comm Path - [004] Receiver 4 - 01 PSTN</p>

Entry	Template	Programming
5	Receiver 1 CID	<p>[380] Comm Toggles 1 - Bit 1 Communications Enabled - On</p> <p>[350] Communicator Formats - [001] Receiver 1 - 03 CID</p> <p>[350] Communicator Formats - [002] Receiver 2 - 03 CID</p> <p>[350] Communicator Formats - [003] Receiver 3 - 03 CID</p> <p>[350] Communicator Formats - [004] Receiver 4 - 03 CID</p> <p>[384] Comm Backup - Bit 2 Receiver 2 Backup - Off</p> <p>[384] Comm Backup - Bit 2 Receiver 2 Backup - Off</p> <p>[384] Comm Backup - Bit 2 Receiver 2 Backup - Off</p> <p>[300] Comm Path - [001] Receiver 1 - 01 PSTN</p> <p>[300] Comm Path - [002] Receiver 2 - 01 PSTN</p> <p>[300] Comm Path - [003] Receiver 3 - 01 PSTN</p> <p>[300] Comm Path - [004] Receiver 4 - 01 PSTN</p>

Entry	Template	Programming
6	Receiver 1 and 2 CIA with backup	<p>[380] Comm Toggles 1 - Bit 1 Communications Enabled - On</p> <p>[350] Communicator Formats - [001] Receiver 1 - 03 CID</p> <p>[350] Communicator Formats - [002] Receiver 2 - 03 CID</p> <p>[350] Communicator Formats - [003] Receiver 3 - 03 CID</p> <p>[350] Communicator Formats - [004] Receiver 4 - 03 CID</p> <p>[384] Comm Backup - Bit 2 Receiver 2 Backup - On</p> <p>[384] Comm Backup - Bit 2 Receiver 2 Backup - Off</p> <p>[384] Comm Backup - Bit 2 Receiver 2 Backup - Off</p> <p>[300] Comm Path - [001] Receiver 1 - 01 PSTN</p> <p>[300] Comm Path - [002] Receiver 2 - 01 PSTN</p> <p>[300] Comm Path - [003] Receiver 3 - 01 PSTN</p> <p>[300] Comm Path - [004] Receiver 4 - 01 PSTN</p>

Digit 4 – Reporting Code Configuration Options

Option	Common	Selected Troubles	Openings/Closings	Zone Alarm Restore	DLS/Installer Lead In/Out
1	ü			ü	X
2	ü	ü		ü	X
3	ü		ü	ü	X
4	ü	ü	ü	ü	X
5	ü	ü			X
6	ü		ü		X
7	ü	ü	ü		X
8	ü				

ü indicates included, blank indicates default setting, X indicates disabled

Common Group

Common Group	Common Group Programming
Set all reporting codes to automatic	[308] Event Reporting - All Events On
Alarm/restore call directions enabled	[311][001] Partition 1 Alarm/Restore - Bit 1 Receiver 1 - On [311][001] Partition 1 Alarm/Restore - Bit 2 Receiver 2 - Off [311][001] Partition 1 Alarm/Restore - Bit 3 Receiver 3 - Off [311][001] Partition 1 Alarm/Restore - Bit 4 Receiver 4 - Off
Tamper/restore call directions disabled	[311][002] Partition 1 Tamper/Restore - Bit 1 Receiver 1 - Off [311][002] Partition 1 Tamper/Restore - Bit 2 Receiver 2 - Off [311][002] Partition 1 Tamper/Restore - Bit 3 Receiver 3 - Off [311][002] Partition 1 Tamper/Restore - Bit 4 Receiver 4 - Off

Common Group	Common Group Programming
Opening/closing call directions disabled	[311][003] Partition 1 Open/Close - Bit 1 Receiver 1 - Off [311][003] Partition 1 Open/Close - Bit 2 Receiver 2 - Off [311][003] Partition 1 Open/Close - Bit 3 Receiver 3 - Off [311][003] Partition 1 Open/Close - Bit 4 Receiver 4 - Off
Maintenance call directions enabled	[309][001] Maintenance - Bit 1 Receiver 1 - On [309][001] Maintenance - Bit 2 Receiver 2 - Off [309][001] Maintenance - Bit 3 Receiver 3 - Off [309][001] Maintenance - Bit 4 Receiver 4 - Off
Test transmission call directions disabled	[309][002] Test Transmission - Bit 1 Receiver 1 - Off [309][002] Test Transmission - Bit 2 Receiver 2 - Off [309][002] Test Transmission - Bit 3 Receiver 3 - Off [309][002] Test Transmission - Bit 4 Receiver 4 - Off

- Enables/Disables all Reporting Codes
- Selected Troubles - Enables the following Troubles

Selected Troubles Group	Selected Troubles Programming
Battery	[308][301] - Bit 3 Panel Low Battery - On [308][301] - Bit 4 Panel Low Battery Restore - On [308][301] - Bit 5 Panel Battery Absent - On [308][301] - Bit 6 Panel Battery Absent Restore - On [308][331] - Bit 3 Module Low Battery - On [308][331] - Bit 4 Module Low Battery Restore - On [308][331] - Bit 5 Module Battery Absent - On [308][331] - Bit 6 Module Battery Absent Restore - On
AC Failure	[308][301] - Bit 1 Panel AC Trouble - Off [308][301] - Bit 2 Panel AC Trouble Restore - Off [308][331] - Bit 1 Module AC Trouble - Off [308][331] - Bit 2 Module AC Trouble Restore - Off
Bell Circuit Trouble	[308][302] - Bit 1 Panel Bell Trouble - On [308][302] - Bit 2 Panel Bell Trouble Restore - On
Fire, Alarm	[308][311] - Bit 3 Fire Trouble - On [308][311] - Bit 4 Fire Trouble Restore - On [308][305] - Bit 3 2W Smoke Trouble - On [308][305] - Bit 4 2W Smoke Trouble Restore - On
Aux Power Supply Trouble	[308][302] - Bit 5 Panel AUX Trouble - On [308][302] - Bit 6 Panel AUX Trouble Restore - On [308][332] - Bit 5 Module AUX Trouble - On [308][332] - Bit 6 Module AUX Trouble Restore - On

Selected Troubles Group	Selected Troubles Programming
TLM Trouble	[308][302] - Bit 3 Panel TLM Trouble - Off [308][302] - Bit 4 Panel TLM Trouble Restore - On
General System Tamper	[308][101] - Bit 3 Module Tamper Trouble - Off [308][101] - Bit 4 Module Tamper Restore - Off
General System Supervisory	[308][332] - Bit 3 Module Supervisory Trouble - On [308][332] - Bit 4 Module Supervisory Restore - On

- Openings & Closings - Sets Residential Dial Reporting Codes for all openings and closings

Openings/Closings Group	Openings/Closings Programming
Enable All User Open/Close Reports	[308][201] - Bit 1 User Closing - On [308][201] - Bit 2 User Opening - On [308][201] - Bit 5 Special Closing - On [308][201] - Bit 6 Special Opening - On [308][202] - Bit 1 Automatic Closing - On [308][202] - Bit 2 Automatic Opening - On [308][202] - Bit 3 Automatic Cancel - On

- Zone Alarm Restore Group - Disables all zone alarm restore reporting codes

Zone Alarm Restore Group	DLS/Installer Lead In/Out Programming
Restore zone alarm reporting codes	[307][001] - Bit 2 Alarm Restore - Off [307][002] - Bit 2 Alarm Restore - Off [307][003] - Bit 2 Alarm Restore - Off [307][004] - Bit 2 Alarm Restore - Off [307][005] - Bit 2 Alarm Restore - Off [307][006] - Bit 2 Alarm Restore - Off [307][007] - Bit 2 Alarm Restore - Off [307][008] - Bit 2 Alarm Restore - Off [307][009] - [128] Bit 2 Alarm Restore - Off

- Installer Lead-in/Lead-out and DLS Lead-in/Lead-out

DLS/Installer Lead In/Out Group	DLS/Installer Lead In/Out Programming
DLS/Installer Disabled	[308][312] - Bit 1 Installer Lead In - Off [308][312] - Bit 2 Installer Lead Out - Off [308][312] - Bit 3 DLS Lead In - Off [308][312] - Bit 4 DLS Lead Out - Off [308][312] - Bit 5 SA Lead In - Off [308][312] - Bit 6 SA Lead Out - Off

Digit 5 - DLS Connection Options

Option	Programming section	DLS connection/call back setting
1	[401] Option 1 OFF Option 3 OFF Option 4 OFF [406] 000	Double Call Disabled Call Back Disabled User Initiated Call Up Disabled Number of Rings to Answer On Disabled
2	[401] Option 1 ON Option 3 OFF Option 4 OFF [406] 008	Double Call Enabled Call Back Disabled User Initiated Call Up Disabled Number of Rings to Answer On is 8
3	[401] Option 1 ON Option 3 ON Option 4 OFF [406] 008	Double Call Enabled Call Back Enabled User Initiated Call Up Disabled Number of Rings to Answer On is 8
4	[401] Option 1 ON Option 3 OFF Option 4 ON [406] 008	Double Call Enabled Call Back Disabled User Initiated Call Up Enabled Number of Rings to Answer On is 8

After entering a valid 5-digit template programming code, the system prompts for the following data in the sequence listed:

1. Central Station Telephone Number
2. Program the required central station phone number. Press [#] to complete your entry.
3. This phone number is entered into programming section [301][001].
4. Central Station System Account Code (4 or 6-digit code)

5. Program the system account code. All digits must be entered in order to complete your entry.
 6. This account code is entered into programming section [310][000].
 7. Partition 1 Account Code (4 digit code)
 8. Program the partition 1 account code. All digits must be entered in order to complete your entry.
 9. This account code is entered into programming section [310][001].
 10. DLS Access Code (6-digit code)
 11. Program the required DLS access code. All 6 digits must be entered in order to complete your entry.
 12. This access code is entered into programming section [403].
 13. Entry Delay 1 and Exit Delay
 14. Enter the 3-digit entry delay 1 (in seconds) followed by the desired 3-digit exit delay (in seconds). These entries affect all partitions.
 15. All 3 digits must be entered in order to complete each section entry.
 16. These values are entered in programming sections [005][001]-[008] entry 1 and 3 respectively.
 17. Installer's Code
 18. Enter the 4, 6 or 8-digit installer access code (dependent on section [041]). All digits must be entered in order to complete the section entry.
 19. This code is entered into programming section [006][001].
 20. After the installer code has been programmed the system returns to the base installer programming menu.
 21. All template programming information defaults after performing a hardware or software panel default. The 5-digit template programming code is defaulted to 0000000.
- ⓘ **Note:** Pressing the pound key (#) advances through template programming, accepting what is displayed in these locations, potentially overwriting desired programming. Depending on the option programmed, restoring the defaults using template programming may not be possible.

ASCII Characters

!	"	#	\$	%	&	'	()	*	+	,	-	.	/	0	1	2	3	4	5	6	7	8														
33	34	35	36	37	38	39	40	41	42	43	44	45	46	47	48	49	50	51	52	53	54	55	56														
9	:	;	<	=	>	?	@	A	B	C	D	E	F	G	H	I	J	K	L	M	N	O	P														
57	58	59	60	61	62	63	64	65	66	67	68	69	70	71	72	73	74	75	76	77	78	79	80														
Q	R	S	T	U	V	W	X	Y	Z	[¥]	^	_	\	a	b	c	d	e	f	g	h														
81	82	83	84	85	86	87	88	89	90	91	92	93	94	95	96	97	98	99	100	101	102	103	104														
i	j	k	l	m	n	o	p	q	r	s	t	u	v	w	x	y	z	{		}	-	-															
105	106	107	108	109	110	111	112	113	114	115	116	117	118	119	120	121	122	123	124	125	126	127	160														
□	「	」		▪	ヲ	ァ	イ	ウ	エ	オ	カ	キ	ク	ケ	コ	サ	シ	ス	セ	ソ	タ	ダ	ツ	テ	ト	ナ	ニ	ヌ	ネ	ノ	ハ	ヒ	フ	ヘ	ホ	マ	ミ
161	162	163	164	165	166	167	168	169	170	171	172	173	174	175	176	177	178	179	180	181	182	183	184														
ケ	コ	サ	シ	ス	セ	ソ	タ	ダ	ツ	テ	ト	ナ	ニ	ヌ	ネ	ノ	ハ	ヒ	フ	ヘ	ホ	マ	ミ														
185	186	187	188	189	190	191	192	193	194	195	196	197	198	199	200	201	202	203	204	205	206	207	208														
△	×	モ	ヤ	ユ	ヨ	ラ	リ	ル	レ	ロ	ワ	ン	?	□	α	ä	β	ε	μ	σ	ρ	ç	ƒ														
209	210	211	212	213	214	215	216	217	218	219	220	221	222	223	224	225	226	227	228	229	230	231	232														
+	j	x	φ	£	ñ	Ö	p	q	θ	œ	Ω	ü	Σ	π	X	y	千	疋	疋	÷		■															
233	234	235	236	237	238	239	240	241	242	243	244	245	246	247	248	249	250	251	252	253	254	255															

Regulatory approvals

Regulatory approvals

FCC COMPLIANCE STATEMENT

▲ CAUTION: Changes or modifications not expressly approved by Digital Security Controls could void your authority to use this equipment.

This equipment has been tested and found to comply with the limits for a Class B digital device, pursuant to Part 15 of the FCC Rules. These limits are designed to provide reasonable protection against harmful interference in a residential installation. This equipment generates, uses and can radiate radio frequency energy and, if not installed and used in accordance with the instructions, may cause harmful interference to radio communications. However, there is no guarantee that interference will not occur in a particular installation. If this equipment does cause harmful interference to radio or television reception, which can be determined by turning the equipment off and on, the user is encouraged to try to correct the interference by one or more of the following measures:

- Re-orient the receiving antenna.
- Increase the separation between the equipment and receiver.
- Connect the equipment into an outlet on a circuit different from that to which the receiver is connected.
- Consult the dealer or an experienced radio/television technician for help.

The user may find the following booklet prepared by the FCC useful: "How to Identify and Resolve Radio/Television Interference Problems". This booklet is available from the U.S. Government Printing Office, Washington D.C. 20402, Stock # 004-000-00345-4.

IMPORTANT INFORMATION

This equipment complies with Part 68 of the FCC Rules, and, if the product was approved July 23, 2001 or later, the requirements adopted by the ACTA. On the side of this equipment is a label that contains, among other information, the FCC registration number and ringer equivalence number (REN) for this equipment. If requested, this number must be provided to the Telephone Company.

HS3032 Product Identifier US:F53AL01AHS3256

HS3128 Product Identifier US:F53AL01AHS3256

HS3248 Product Identifier US:F53AL01AHS3256

USOC Jack: RJ-31X

Telephone Connection Requirements

A plug and jack used to connect this equipment to the premises wiring and telephone network must comply with the applicable FCC Part 68 rules and requirements adopted by the ACTA. A compliant telephone cord and modular plug is provided with this product. It is designed to be connected to a compatible modular jack that is also compliant. See installation instructions for details.

Ringer Equivalence Number (REN)

The REN is used to determine the number of devices that may be connected to a telephone line. Excessive RENs on a telephone line may result in the devices not ringing in response to an incoming call. In most but not all areas, the sum of RENs should not exceed five (5.0). To be certain of the number of devices that may be connected to a line, as determined by the total RENs, contact the local Telephone Company. For products approved after July 23, 2001, the REN for this product is part of the product identifier that has the format.

US: AAAEQ##TXXXX. The digits represented by ## are the REN without a decimal point (e.g., 03 is a REN of 0.3). For earlier products, the REN is separately shown on the label.

Incidence of Harm

If this equipment HS3032/HS3128/HS3248 causes harm to the telephone network, the telephone company will notify you in advance that temporary discontinuance of service may be required. But if advance notice is not practical, the Telephone Company will notify the customer as soon as possible. Also, you will be advised of your right to file a complaint with the FCC if you believe it is necessary.

Changes in Telephone Company Equipment or Facilities

The Telephone Company may make changes in its facilities, equipment, operations or procedures that could affect the operation of the equipment. If this happens the Telephone Company will provide advance notice in order for you to make necessary modifications to maintain uninterrupted service.

Equipment Maintenance Facility

If trouble is experienced with this equipment HS3032/HS3128/HS3248 for repair or warranty information, please contact the facility indicated below. If the equipment is causing harm to the telephone network, the Telephone Company may request that you disconnect the equipment until the problem is solved. This equipment is of a type that is not intended to be repaired by the end user.

Tyco Atlanta Distribution Center

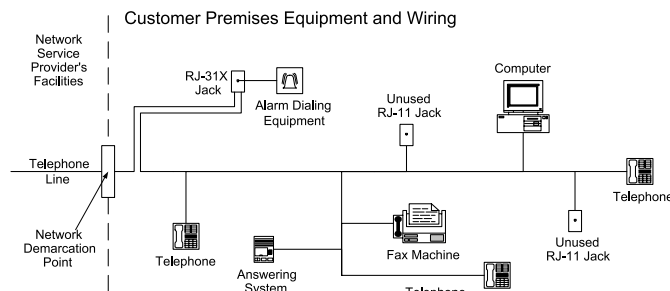
2600 West Pointe Dr.

Lithia Springs, GA 30122

Additional Information

Connection to party line service is subject to state tariffs. Contact the state public utility commission, public service commission or corporation commission for information.

Alarm dialling equipment must be able to seize the telephone line and place a call in an emergency situation, even if other equipment (telephone, answering system, computer modem, etc.) already has the telephone line in use. To do so, alarm dialling equipment must be connected to a properly installed RJ-31X jack that is electrically in series with and ahead of all other equipment attached to the same telephone line. Proper installation is depicted in the figure below. Consult your telephone company or a qualified installer if you have any questions concerning these instructions or about installing the RJ-31X jack and alarm dialling equipment for you.



Innovation, Scientific and Economic Development Canada (ISED) Statement

NOTICE: This Equipment, HS3032/HS3128/HS3248, meets the applicable ISED Canada Terminal Equipment Technical Specifications. This is confirmed by the registration number. The abbreviation,

IC, before the registration number signifies that registration was performed based on a Declaration of Conformity indicating that ISED Canada technical specifications were met. It does not imply that Industry ISED approved the equipment.

NOTICE: The Ringer Equivalence Number (REN) for this terminal equipment is 0.1. The REN assigned to each terminal equipment provides an indication of the maximum number of terminals allowed to be connected to a telephone interface. The termination on an interface may consist of any combination of devices subject only to the requirement that the sum of the Ringer Equivalence Numbers of all devices does not exceed five.

HS3032 Registration number: IC: 160A-HS3256

HS3128 Registration number IC: 160A-HS3256.

HS3248 Registration number IC: 160A-HS3256.

L'indice d'équivalence de la sonnerie (IES) sert à indiquer le nombre maximal de terminaux qui peuvent être raccordés à une interface téléphonique. La terminaison d'une interface peut consister en une combinaison quelconque de dispositifs, à la seule condition que la somme d'indices d'équivalence de la sonnerie de tous les dispositifs n'excède pas 5.

SIA False Alarm Reduction Installations: Quick Reference

Minimum required system consists of one Control unit model HS3032, HS3128, or HS3248, and any one of the compatible listed keypads (refer to [Model comparison](#)).

The following wireless keyfobs can also be used in SIA compatible installations: PG9929, PG9939, PG9949.

❶ **Note:** For models PG9929 and PG9939, the panic/emergency key shall be disabled for SIA compliant installations.

For a list of the default values programmed when the unit is shipped from the factory, and for other programming information, refer to the following table.

The following optional subassembly modules also bear the SIA CP-01-2014 classification and may be used if desired: HSM2108 zone expander, HSM2208 PGM output module, HSM2300 auxiliary power supply, HSM2204 output module, HSM2HOST9 2-way wireless transceiver, PG9901 indoor siren, PG9911 outdoor siren, and LE9080/3G9080/3H9080 cellular and PSDN communication module.

Caution

- For SIA FAR installations use only modules/devices that are listed on this page.
- Fire Alarm Verification feature (Auto Verified Fire Zone type [025]) is not supported on 2-wire smoke detectors zones, model FSA-210B(T)(S)(ST)(LST)(R)(RT)(RD)(RST)(LRST). This feature may be enabled for 4-wire smoke detectors only (FSA-410B(T)(S)(ST)(LST)(R)(RT)(RST)(LRST) and wireless detectors PG9916/PG9926). The fire alarm delay is 60s.
- Call Waiting Cancel (Section [382], option 4) on a non-Call Waiting line will prevent successful communication to the supervising station.
- All system smoke detectors must be tested annually by conducting an Installer Walk Test. Prior to exiting Walk Test mode, a sensor reset must be done on the system, [*][7][2], to reset all latching 4-wire smoke detectors. Refer to the installation instructions supplied with the detector for details.

Notes

- Programming at installation may be subordinate to other UL requirements for the intended application.

- Cross zones have the ability to individually protect the intended area (e.g. motion detectors which overlap).
- Cross zoning is not recommended for line security Installations nor is it to be implemented on exit/entry zones.
- This control panel has a communication delay of 30 seconds. It can be removed or increased up to 45 seconds by the end user with installer consultation.
- The system shall be installed with the sounding device activated and the communicator enabled for transmission using SIA or CID format.
- ULC commercial burglary installations require DEOL resistors.

SIA quick reference table

Table 47: Table 5 SIA quick reference

SIA Feature Programming Section	Comments	Range/Default	Requirement
Exit Time [005]>[001], option 3	Access to Entry and Exit delays and Bell Time Out for the system.	Range:45- 255 seconds Default: 60 sec.	Required (programmable)
Exit Delay Restart [018], option 7	Opening a Delay zone door after it has already been opened and closed during an exit delay restarts the exit delay timer.	Default: Enabled	Required
Auto Stay Arm on Un- vacated Premises [001]>[001]-[248] Zone type 05, 06,09	Function key: Forces the system to arm in Stay mode if the occupant does not exit the premises after pressing the Away function key.	If no exit after full arm Default: Enabled	Required

Table 47: Table 5 SIA quick reference

SIA Feature Programming Section	Comments	Range/Default	Requirement
Exit Time and Progress Annunciation/Disable or Remote Arming [861]>[001]-[005], option 4	<p>System times and audible exit beeps can be disabled when using the wireless key to stay arm the system. When away arming, audible exit beeps can not be disabled.</p> <p>For remote arming (using keyfob), it is possible to program the instant stay arm (no exit delay). By default this option is OFF.</p> <p>When arming/ disarming with keyfob the bell squawk option shall be enabled.</p> <p>The Bell shall be tested daily. Alternate option is to have bell squawk enabled for arming/ disarming</p>	Default: Enabled	Allowed
Entry delay(s) [005]>[001]-[008], options 1 and 2	<p>Access to entry and exit delays and bell time out for the system</p> <p>ⓘ Note: Combined entry delay and communications delay (abort window) shall not exceed 60s.</p>	Range: 30 sec. to 4 min. Default: 30 sec.	Required (programmable)
Abort Window for Non-Fire zones [002]>[001]-[248], option 7 ON	<p>Access to zone attributes, i.e., swinger shutdown, transmission delay and cross zone. May be disabled by zone or zone type.</p>	Default: Enabled	Required

Table 47: Table 5 SIA quick reference

SIA Feature Programming Section	Comments	Range/Default	Requirement
Abort Window Time - for Non-Fire zones [377]>[002], option 1	Access to the programmable delay before communicating alarms ⓘ Note: Combined entry delay and communications delay (abort window) shall not exceed 60 seconds.	Range: 00 - 45 sec. Default: 30 sees	Required (programmable)
Abort Annunciation	An audible tone is generated when an alarm is aborted during the abort window.	Hard-coded ON	Required
Duress Feature [*][5]> master code> user 2-95> 5> 2	When this feature is enabled, selected user codes send a duress reporting code to the central station when used to perform any function on the system. Section [019], option [6] must be enabled.	Default: N	Required
Cancel Window [377]>[002], option 6	Access to the communications cancel window. Minimum duration must be 5 minutes.	Range: 005-255 Default: 005	
Cancel Annunciation [308]>[001], option 8	Access to the reporting code for Alarm Canceled.	A Cancel was transmitted Default: Enabled	Required
Cross Zoning [042]>Selection 3, option 002	Enables cross zoning for entire system. Zones can be enabled for cross zoning via zone attribute option 8 in sections [002][101] - [248].	Programming required Default: Disabled	Required
Burglary Verification Timer [005]>[000], option 3	Access to the programmable Cross Zone timer.	Range: 000-255 sec. Default: 60 seconds	Allowed

Table 47: Table 5 SIA quick reference

SIA Feature Programming Section	Comments	Range/Default	Requirement
Swinger Shutdown for Alarms [377]>[001], option 1	Access to the swinger shutdown limit for zone alarms. For all non-fire zones, shut down at 1 to 6 trips.	Default: 2 trips	Required (programmable)
Swinger Shutdown Enable [002]>[001] - [248], option 6 ON	Access to swinger shutdown, transmission delay and cross zone attributes. Zone attribute option 6 (Swinger Shutdown enabled) is ON.	Non-police response zones Default: Enabled	Allowed
24-Hr. Auto-verified Fire [001]>[001]-[248], Zone type 025 ON	Access to 24-Hr. Auto-verified Fire. Activates if Not restored within the specified time.	Must choose zone type for application	Required
Call Waiting Cancel [382], option 4 OFF	Access to the dialing sequence used to disable call waiting. Call waiting string can be programmed in [304].	Depends on user phone line Default: Disabled	Required
System Test: [*][6] Master Code, option 04	The system activates all keypad sounders, bells or sirens for 2 seconds and all keypad lights turn on. Refer to user manual.		
Walk Test Mode: [*][8][Installer code] [901]	This mode is used to test each zone on the system for proper functionality.		

Table 47: Table 5 SIA quick reference

SIA Feature Programming Section	Comments	Range/Default	Requirement
Walk Test Communications [382], option 2	Enables communication of zone alarms while walk test is active.	Default: Disabled	
Walk Test Start/ End Reporting Codes [308][401], options 1 and 2	Access to the reporting codes for walk test start and end times.		
Duress Code	Duress codes function the same as user access codes, except they transmit a duress reporting code when used to perform any function on the system. Duress codes cannot be used to access [*][5], [*][6] or [*][8] menus. Duress codes are created by the master user or supervisor users		

European EN50131 Compliance Statement

This Product (HS3032/HS3128/HS3248) meets the requirements of Grade 3, Class II equipment as per EN50131-1:2006 + A1:2009 + A2:2017 Standards. The Model HS3032, HS3128, HS3248 Control Panel has been certified by Telefication according to EN50131-1: 2006 +A1:2009+A2:2017, EN50131-3:2009 Type B, EN50131-6:2017 Type A, EN50131-10, EN50136-2:2013 ATS SP3 (dialer), SP4 (Ethernet), DP2 (dialer and Ethernet), DP3 (Ethernet and plug-in cellular) when installed in enclosure models HSC3020C or HSC3020CP.

① **Note:** Models HS3032P, HS3128P, HS3248P consisting of control panel board assembly HS3032, HS3128, HS3248 with HSM2HOST8 Wireless Transceiver mounted in the HSC3020CP plastic enclosure meets the requirements of Grade 2, Class II equipment as per EN50131-1:2006 + A1:2009 + A2:2017 Standards. The model HS3032P, HS3128P, HS3248P has been certified by Telefication according to EN50131-1: 2006 +A1:2009+A2:2017, EN50131-3:2009 Type B, EN50131-6:2017 Type A, EN50131-10, EN50136-2:2013 Grade 2, Class II, ATS SP3 (dialer), SP4 (Ethernet), DP2 (dialer and Ethernet), DP3 (Ethernet and plug-in cellular) when installed in enclosure models HSC3020CP.

This product is suitable for use in systems with the following notification options:

- A - use of two remotely powered warning devices and one ATS SP3 required (internal dialer or ethernet or plug-in cellular module)
- B - use of one self-powered warning device and one ATS SP3 required (internal dialer or ethernet or plug-in cellular module)
- C - use of dual path ATS DP2 required (any combination of internal dialer and ethernet and/or cellular module)
- D - use of an ATS SP4 required (internal ethernet or plug-in cellular module with encryption enabled)
- E - use of dual path ATS DP3 required (combination of internal ethernet and plug-in cellular module with encryption enabled)

For EN50131 compliant installations, with alarm control panels HS3032, HS3128 and HS3248, only the intrusion portion of the alarm system may be activated.

For EN50131 compliant installations, the following functions must be disabled:

- Fire Alarm
- CO Alarm
- Auxiliary (Medical) Alarm functions
- In Section 861-21, options 1 and 2 must be off.

For EN50131 compliant installations, the following zone types must not be used:

Zone number	Zone type	Zone number	Zone type	Zone number	Zone type
007	Delayed 24-Hour Fire	041	24-Hour CO	049	24-Hour Flood
008	Standard 24-Hour Fire	045	24-Hour Heat	052	24-Hour Non-Alarm
025	Auto Verified Fire	046	24-Hour Medical	056	24-Hour High Temperature
027	Fire Supervisory	047	24-Hour Emergency	057	24 Hour Low Temperature
040	24-Hour Gas	048	24-Hour Sprinkler*	071	Door Bell

In this configuration, no non-mandatory events are generated in the Event Buffer and compliance with minimum 500 mandatory events storage (Grade 3) is ensured as per [8 - FTC Audible Bell.10.1](#) in EN50131-3. Compliance labeling should be removed or adjusted if non-compliant configurations are selected.

Notes for EN50136-1:2012 compliant installations - applicable to integrated phone line and Ethernet communicator only.

The communicator operates in pass-through mode and it does acknowledge the alarm to the compatible control panel after an acknowledgement has been received from the compatible alarm receiver.

1. The integrated communicator is monitored by the control panel and is programmed via the menu available from the compatible keypad connected to the alarm control panel HS3032, HS3128, HS3248.
2. The communication path is immune to conducted and radiated RF fields, with levels up to 10V/m as tested per EN50130-4 Standard.
3. The control panel with integrated communication module conforms with radiated emissions levels for Class B equipment as per standards EN61000-6-3/EN55032/CISPR32.
4. The control panel has two integrated communication paths: Phone line dialer and Ethernet (IP) communication path. These can be used in an ATS with the following categories:
 - Single Path mode SP3 (Phone line dialer) or SP4 (IP path), or
 - Dual Path mode DP2 integrated Ethernet (IP) path in conjunction with the compatible control panel HS3032/HS3128/HS3248 integrated PSTN communicator, or
 - Dual Path DP3 integrated Ethernet (IP) path in conjunction with the plug-in cellular module 3G9080-EU or GS9080.

5. The integrated Ethernet (IP) communication path uses sequential authentication for substitution security and encryption AES128 bit for information security. The AES128-bit key is validated by NIST, Certificate No. 5371.
6. The integrated communicators have been tested for compliance in conjunction with the following applicable standards: EN50136-1:2012, EN50136- 2:2013, EN50131-10:2014, Grade 3, Class II, ATS configuration: SP3, DP2, DP3. For EN50131-1:2006/A1:2009 /A2:2017 compliant installations, the following programming options must be set as described: Supervision heartbeat set to 180 seconds for SP4 and DP3 configuration, along with the ARC receiver supervision window set to 180 seconds. For DP2 configuration, the supervision must be set to 30 minutes.

This product is in conformity with the Electromagnetic Compatibility Directive 2014/30/EU, the Low Voltage Directive 2014/35/EU, and the RoHS3 Directive (EU) 2015/863.



The product is labelled with the CE mark as proof of compliance with the above mentioned European Directives. Also, a CE declaration of conformity (DoC) for this product can be found at <http://www.dsc.com> under the Agency Listings section.

Additional notes for EN50131 compliant installations

The alarm system can be set/unset with 6 or 8-digit user access codes, or using compatible wireless keys. During the arming/setting procedure, a setting indication is provided (exit delay annunciation). The setting is prevented if an alarm, trouble, or tamper condition exists. An indication is given if the system fails to set following the initiation of the setting procedure. The option to override a condition that prevents setting for the respective set period is provided. Override is possible using a valid user access code. When the system is set, a 30 second timer begins. The Armed LED on the keypad remains on for 30 seconds. When the system is in the set state, opening the door to the entry/exit route initiates the entry procedure. The system is unset using a valid user access code or an enrolled compatible wireless key. The alarm system does not support prioritization for indications. Masking signals are processed as intruder signals.

UK Compliance Statement

In the UK this product is suitable for use in systems installed to conform to PD 6662:2017 at Grade 3 and environmental class II with the following notification options: A, B, C, D, E. Where HS3032, HS3128 and HS3248 are used with a single path signaling method (such as the Integrated Digital Dialer), please note the following limitation:

IMPORTANT -Your attention is drawn to the fact that failure or compromise of single path signaling cannot be passed to the police. While the failure persists, subsequent alarms cannot be notified to the alarm receiving centre and passed to the police.

Setting Methods

The HS3032, HS3128 and HS3248 are capable to support the completion of the full setting procedure by the following methods:

a) push button switch, mounted outside the supervised premises; or b) protective switch (i.e., door contact) fitted to the final exit door of the alarmed premises or area. The setting procedure is a two-stage process of initiating the setting procedure within the supervised premises (e.g., using Mini Prox Tag (MPT) or user code) followed by completion of setting by one of the two methods mentioned above. Please check with the Installer which method has been enabled for your system.

Unsetting Methods

The HS3032, HS3128 and HS3248 is capable to support the following unsetting methods in accordance with BS8243:

6.4.2 Prevention of entry to the supervised premises before the alarm system is unset. Unsetting using remote key before entering the supervised premises causes or permits the initial entry door to be unlocked.

6.4.5 Completion of unsetting using a digital key (e.g., MPT or PG8929, PG8939, PG8949) either before entering the protected premises (use PG8929, PG8939, PG8949) or after entering the protected premises (use MPT). The entry delay is activated if the initial entry door is opened before the HS3032/HS3128/HS3248 have been unset. During the entry time, it is possible to unset the alarm system using a digital key only. Complete unsetting before programmed entry delay expires.

IMPORTANT - If using a remote device to remotely set/unset your intruder alarm system, your attention is drawn to the fact that whenever a premises is unattended but its intruder alarm system(s) is (are) not fully set, any related insurance cover might be inoperative. For advice on this matter, consult your insurer(s)."

The CIE and notification equipment should be located and supervised to minimize the risk of vandalism or sabotage. It is preferable for the CIE, signaling and network equipment to be located in an area where a confirmed activation will be generated.

HS3032, HS3128 and HS3248 are compliant with criteria for sequentially confirmed intruder alarm systems as per Standard BS8243:2010.

For an alarm condition to be regarded as sequentially confirmed:

a) The HS3032, HS3128 and HS3248 should be configured so that at least two separate alarm conditions are reported, each originating from an independent detector within the confirmation time; Section [042] option 003 (Sequential Detection), section [005]>[000], Burglary Verification. Timer set to a value between 30 and 60.

b) The two detectors should either be of:

- 1) different technologies which are permitted to have overlapping areas of coverage; or
- 2) the same single technology and not have overlapping areas of coverage.

To be regarded as independent, each detector should be configured to report alarm conditions separately to the HS3032, HS3128 and HS3248.

The HS3032, HS3128 and HS3248 are capable of supporting the completion of the full setting procedure by one of the following methods:

a) push button switch mounted outside the supervised premises. Instructions to be provided for the zone type to be programmed for the key arming; or

b) protective switch (i.e., door contact) fitted to the final exit door of the alarmed premises or area. Use zone type 016 (Final Door Set) for the final exit door.

In this case the setting procedure is a two-stage process of initiating the setting procedure within the supervised premises (e.g., using wireless key PG8929, PG8939, PG8938, PG8949 or user code) followed by completion of setting by one of the two methods described above. This prohibits the use of a timed exit procedure.

If a protective switch (i.e. door contact) is used as the method of completion of setting, then the keypad should be sited near to the final exit door so that the IAS can be unset promptly. Where appropriate, additional internal audible indications (PG8911 indoor sirens) should be provided so that persons within a building are informed that the HS3032, HS3128 and HS3248 are due to be set. Additional keypads should be provided, where appropriate, so that if the alarm panel is set there are means available locally within the supervised premises to unset the system.

HS3032, HS3128 and HS3248 are capable of supporting the following unsetting methods in accordance with BS8243:

6.4.2 Prevention of entry to the supervised premises before the HS3032, HS3128 and HS3248 are unset. Unsetting using PG8929, PG8939, PG8938, PG8949 wireless key before entering the supervised premises causes or permits the initial entry door to be unlocked. Program PGM1 or PGM2 in Section [009] to activate when system is disarmed and release the mag-lock on the entry door.

UL/ULC Wiring Diagram

HS3032, HS3128, and HS3248 UL/ULC wiring diagram (North America only)

Applicable UL Standards UL File No. S4019

- UL819 Control Station Burglar Alarm Units
- UL365 Police Station Connected Burglar Alarm Units & Systems
- UL690 Local Burglar Alarm Units and Systems
- UL885 Household Fire Warning System Units
- UL1023 Household Burglar Alarm System Units
- UL1452 Digital Alarm Communicator System Units
- UL1537 Home Health Care Signaling Equipment
- ANSI/ISA C94.04-14
- ULC594-16 Standard for Control Units, Accessories and Receiving Equipment for Intrusion Alarm Systems
- ULC595-15 Equipment for Fire Signal Receiving Centers and Systems
- ULC640-10 Residential Fire Warning System Control Unit

NOTE: For UL listed applications, this unit must be done only by a trained installer.

ULC-640-10 System Requirements:

- HS3032/328 Panel
- Local Annunciation devices

Local Annunciation Devices may be any combination of the keypads:
HSLCDDPRD, HSLTCHPROBLK, HSLCDDPRD05

Alarm Bell: Internal BELL output circuit or wireless siren PG9911 or PG9911

Remote Transmission: Internal DACT or Ethernet or plug-in Cellular Modem (ULC320P000)

Warning: Disconnect AC power and telephone lines before servicing.

Attention: Débrancher l'alimentation secteur et lignes téléphoniques avant l'entretien.

All circuits are classified for UL installation as power limited Class II power limited, except for the battery loads which are not power limited. Do not route any wiring over circuit boards. Maintain at least 1" (25.4 mm) separation. A minimum 1/4" (6.4 mm) separation must be maintained at all points between power limited wiring and all other non-power limited wiring. Inspect wiring and ensure connections are correct before applying power.

Use metal fasteners and screws in the position indicated.

IMPORTANT! Ensure screw and standoff are tightly secured or installation. Earthground connection for the PCB.

AUX Wiring
Use No. 14-22 AWG conductor.
ALX and Colours (RED) are internally connected.
Total current draw from keypads, PGM Outputs and ALX circuits must not exceed 2000 mA.
Note: Refer to the Installation Manual for maximum current loading levels associated with different applications.

GROUND CONNECTION
Tighten nut to break paint and make a good connection to the cabinet.

Earth ground connection from building electrical installation.

NOTE: the ground connection goes to HSE5WPSNKA power adapter EGN0 connections when this power adapter is mounted in the cabinet.

Out to premises telephone
RJ-31X Telephone Plug 26 AWG

BATTERY

12V VAC/NO Hz
HSE5WPSNA power adapter

NOTE: For ULC Commercial Fire Monitoring applications use Model HSE5WPSNAS.

Ballast
10.8-12.5 Vdc
700ma (Max)
Observe Polarity

2-WIRE SMOKE DETECTORS

Compatible DSC 2-wire smoke detectors:
NAME MODEL COMPATIBILITY ID MAX V BASE DISC
FSA-210B FSA-210B F2000 NONE
FSA-210A Series for ULC
FSA-210B Series for ULC

Compatibility Identifier: HSI-3
Maximum Operating Voltage: 13.8 VDC
Maximum Number of Detectors: 18

DO NOT combine different models on the same circuit as operation may be impaired.

4-WIRE SMOKE DETECTORS

Compatible DSC 4-wire smoke detectors:
NAME MODEL COMPATIBILITY ID MAX V BASE DISC
FSA-410B Series for ULC
FSA-410B Series for EU

Alarm initiating loop resistance 100 Ω

NOTE: Refer to Installation Manual & Smoke Detector Instruction Sheet when locating detectors.

PGM Connections

LED INDICATOR

AUX INPUT WIRING

RELAY OUTPUT

IMPORTANT: Minimum 6.4 (1/4") separation must be maintained between relay circuits and all other wiring.

Typical Zone Circuits

NOTE: Maximum line impedance 100 Ω

Do not connect to other wiring.

Not required for ULC.

AC wiring details for ULC-561 using HSC3010CR enclosure.

RESISTOR IDENTIFICATIONS

2-WIRE SMOKE

20000 5%

SINGLE ZONE EOL

50000 5%

BELL CIRCUIT

10000 5%

NOTE: For UL listed applications, use Model EOLR-1

NOTE: For UL listed applications, use Model EOLR-2

NOTE: For UL listed applications, use Model EOLR-3

Circuit (zone)	Control Unit Delay - Sec	Smoke Detector		Delay (seconds)
		Models	Models	
25	30	PG9920/PG9916		(a)
25	30	4-Wire UL Listed FSA-410B/FSA-410BT/ FSA-410BS/FSA-410BST/ FSA-410RST/FSA-410BRS/ FSA-410BRST	4-Wire ULC Listed FSA-410A/FSA-410AT/ FSA-410AS/FSA-410AST/ FSA-410ALST/FSA-410AR/ FSA-410ART/FSA-410ARS/ FSA-410ARST	(a)

WARNING: THIS UNIT INCLUDES AN ALARM IDENTIFICATION FEATURE THAT WILL RESULT IN A DELAY OF THE SYSTEM ALARM SIGNAL FROM THE INSTALLED CIRCUITS. THE TOTAL DELAY (CONTROL UNIT PLUS SMOKE DETECTORS) SHALL NOT EXCEED 30 SECONDS. NO OTHER SMOKE DETECTOR SHALL BE CONNECTED TO THESE CIRCUITS UNLESS APPROVED BY THE LOCAL AUTHORITY HAVING JURISDICTION.

(a) The delay (power-up) time marked on the notification wiring diagram of the ULCS304600 smoke detector or on the installed smoke detector(s) is to be used.

WARNING: Not to be removed by anyone except occupant. This equipment should be installed in accordance with Chapter 29 of the National Fire Alarm and Signaling Code, ANSI/NFPA 72, (National Fire Protection Association, Batterymarch Park, Quincy, MA 02269). Printed information describing proper installation, operation, testing, maintenance, evacuation planning, and repair service to be provided with this equipment. For compliance with UL983, at least one smoke detector is required. Test the system at least once per week. The system is intended to be checked by a qualified technician at least every 3 years. For UL1537 installations, the test must also be performed with the AC off, using the standby battery.

This device complies with Parts 15 and 68 of the FCC rules. Operation is subject to the following 2 conditions: (1) this device may not cause harmful interference and (2) this device must accept any interference received, including interference that may cause undesired operation.

Models: HS3032/HS3128/HS3248
US: FSA410A/HS3255 REN = 0.1
Plug Type: RJ-31X
IC: 1604-HS3256

ULC Notes

- For ULC Listed Fire Monitoring Installations & module requirements, please refer to the ULC Installation Information Sheet, part number 29010346.
- All tamper circuits may be connected to the same zone.

	UL Resi Burg PCB current draw: 125 mA alarm current: 700 mA	UL COM Burg	UL Resi Fire UL, HL, ULC Resi Fire ULC COM Burg	UL Resi Fire with wired CO Detectors UL Resi Fire Ed	ULC COM Burg Monitoring
Standby time + alarm time	4 hr + 4 min 4 hr + 5 min	4 hr + 15 min	24 hr + 4 min 24 hr + 5 min 24 hr + 4 min	24 hr + 4 min + 12 hr CO Alarm	24 hr + 30 min
Enclosure	HSC310C	HSC3030CAR	HSC3010C	HSC3010C	HSC3010CR
Power supply adapter	HSE5WPSNA	HSE5WPSNA	HSE5WPSNA HSE5WPSNAS (ULC CB Security Level 4, Requires High Voltage Barrier Kit)	HSE5WPSNA	HSE5WPSNAS
Battery capacity/ max loading	4 Ah/700 mA 7 Ah/1200 mA 14 Ah/2000 mA 17 Ah/2000 mA	4 Ah/700 mA 7 Ah/1200 mA 14 Ah/2000 mA 17 Ah/2000 mA	7 Ah/250 mA 14 Ah/500 mA 17 Ah/800 mA	14 Ah/330 mA 17 Ah/400 mA	14 Ah/500 mA 17 Ah/600 mA
Recharging current setting	Low (400 mA) High (700 mA)	Low (400 mA) High (700 mA)	High (700 mA)	High (700 mA)	High (700 mA)

Temperature Range: 0°C-40°C (32°F-104°F) Maximum Humidity: 93% RH
For detailed installation and operating instructions, refer to the Installation Guide #29010135, and the User Manual #29010134. The HS3032/HS3128/HS3248 is UL Listed for limited energy installations per NEC Article 760. Recognized limited energy cable should be used. Observe NEC wiring requirements and local codes defined by the authority having jurisdiction. Security detection devices that require power from the control panel must be UL Listed for the intended application and operate over the range of 10.8-12.5Vdc. The DSC Bravo Series are recommended UL Listed module detectors. Compatible system keypads: HSLCDDPRD, HSLTCHPROBLK, HSLCDDPRD05, HSLCDDWF/PROCS.

Specifications

The following table outlines the specifications of the PowerSeries Pro alarm controller.

Feature	Description
Zone configuration	32, 128, or 248 wireless zones.
	Up to 8 hardwired zones.
	41 zone types.
	15 programmable zone attributes.
	Normally closed, SEOL, DEOL, and TEOL resistor.
	Fully supervised hardwired zone expansion using the HSM2108 or HSM3408.
	Fully supervised wireless zone expansion using the HSM2HOST 2 way wireless integration module, or the HS2LCDFPROx keypad.
Access codes	4, 6, or 8 digit codes.
	Up to 1003 access codes.
	<p>ⓘ Note: For EN50131-1 Grade 2 compliant systems using 100 access codes or less, 6 digit codes must be used. If using more than 100 access codes, 8 digit codes must be used. For EN50131-1 Grade 3 compliant systems 8 digit codes must be used.</p>
	Programmable attributes.
Warning devices	2 remote, wireless warning devices.
	Programmable as steady, pulsed, temporal 3, or temporal 4
	For NFA2P certified systems the delay for operating the warning device shall be set to max. 10 min.
Memory	CMOS EEPROM.
	Retains programming information and system status on AC or battery failure for 20 years minimum (not verified by UL).
Power supply - North America	HS65WPS - mounted in the same enclosure, permanently connected.
	HS65WPSNA - mounted in the same enclosure or outside, cord connected.
	HS65WPSNAS - hardwired, use in ULC Commercial Burg Security Level IV and ULC Commercial Fire Monitoring applications.
	Primary: 120 VAC, 60 Hz, Energy Efficiency Class VI.
	Secondary: 18 VDC, 3.6 A Limited Power Source (LPS).
Power Supply - International	HS65WPS - mounted in the same enclosure, permanently connected.
	Primary: 100 VAC to 240 VAC, 50 Hz, 1.7 A, Energy Efficiency Class VI.
	Secondary: 18 VDC, 3.6 A, LPS.
	<p>ⓘ Note: For installations using the power supply module mounted inside the cabinet, replace fuse only with the same type (20 mm) rated new fuse rating 250 V / 3.15 A slow blow.</p>

Feature	Description
Regulated power supply	3.6 A regulated, supervised.
	Type A as per EN50131-6 Standard.
	FET protected for Bell, Aux+ and Battery terminals.
	Reverse battery detection/protection.
	Supervision for input power and low battery.
	Normal and high current battery charge options.
	Supervised battery charging circuit.
Current draw - control panel board assembly	120 mA (nominal).
Bell output	10.8 VDC to 12.5 VDC (UL/ULC applications).
	10 VDC to 14 VDC (EN applications).
	700 mA supervised (1 k Ω), current limited at 2 A.
	Steady, pulsed, temporal 3, or temporal 4 cadences.
	Short circuit detection (hardware and software).
Aux +	10.8 VDC to 12.5 VDC (UL/ULC applications).
	10 VDC to 14 VDC (EN applications).
	2 A current (shared with Corbus and PGM outputs).
	600 mVp-p max. output ripple voltage.
	Onboard programmable outputs.
	PGM overcurrent protection.
	Over voltage protection.
Battery	12 V sealed lead acid, rechargeable.
	Maximum standby time: Refer to Aux loading and battery selection for each type of application.
	Recharges to 80% in 72 hr.
	Recharging rate: 400 mA (12 hours max.), 700 mA (24 hour backup).
	24 hr (UL) backup time.
	3 to 5 year lifespan.
	Low battery trouble indication threshold 11.3 VDC.
	12.5 V restore voltage.
	Self-resetting FETs for short/overcurrent protection on the circuit board.
	Internal clock locked to the internal Real Time Clock.
	Main board current draw: HS3032/HS3128/HS3248 (no alternate communicator) standby 100 mA DC. HS3032/HS3128/HS3248, (including plug-in communicator) standby 120 mA DC.
	The standby battery does not automatically recharge on reconnection of the AC mains (external power supply) if the battery terminal voltage is less than 9.6 VDC. The minimum energy level of the standby battery in a charged state (as a percentage of the rated capacity for the range of batteries that can be used with the power supply) is 90% for 17 Ah batteries.

Feature	Description
Environmental operating conditions	Temperature range: UL/ULC: 0°C to +49°C (32°F to 120°F), For EN50131 applications: -10 °C to +55 °C
	Relative humidity: 5% to 93% RH non-condensing
	The alarm panel is not suitable for use external to the supervised premises.
Alarm transmitter equipment	Digital dialer integral to the main control board
	Supports SIA and Contact ID
	Complies with TS203 021-1, -2, -3 Telecom equipment requirements and EN50136-1, EN50136-2, ATS SP3, DP2 (when used in conjunction with Ethernet and/or Cellular paths).
	The integral Ethernet communication port and optional plug-in cellular module (models 3G9080, 3H9080, LE9080 for UL/ULC and 3G9080-EU, GS9080 for EN50131 applications) can be installed in the same enclosure and configured as primary or back-up, with AES 128-bit encryption.
	Compliant with EN50136-1, EN50136-2 ATS configurations SP4, DP3.
System supervision	AC power failure
	Zone trouble
	Fire trouble
	Telephone line trouble
	Communicator trouble
	Low battery condition
	RF jam
	AUX power supply fault
	Failure to communicate
	Module fault (supervisory or tamper)
	System overcurrent
	Additional
Visual verification (images + audio)*	
Proximity tag support	
PGM scheduling	
Quick arming	
User, partition, module, zone and system labels	
Soak test*	
Programmable system loop response	
Keypad and panel software versions viewable through keypad	
Doorbell zone type	
Power unit failure	
Low battery PGM type	
* Feature not evaluated by UL/ULC.	

Locating detectors and escape plan

Locating detectors and escape plan

The following information is for general guidance only, consult local fire codes and regulations when locating and installing smoke and CO alarms.

Smoke Detectors

Research has shown that all hostile fires in homes generate smoke to a greater or lesser extent. Experiments with typical fires in homes indicate that detectable quantities of smoke precede detectable levels of heat in most cases. For these reasons, smoke alarms should be installed outside of each sleeping area and on each story of the home. Additional smoke alarms beyond those required for minimum protection should be installed.

Additional areas that should be protected include: the basement; bedrooms, especially where smokers sleep; dining rooms; furnace and utility rooms; and any hallways not protected by the required units. On smooth ceilings, detectors may be spaced 9.1 m (30 feet) apart as a guide. Other spacing may be required depending on ceiling height, air movement, the presence of joists, uninsulated ceilings, etc. Consult National Fire Alarm Code NFPA 72, CAN/ULC-S553-02 or other appropriate national standards for installation recommendations.

- Do not locate smoke detectors at the top of peaked or gabled ceilings; the dead air space in these locations may prevent the unit from detecting smoke.
- Avoid areas with turbulent air flow, such as near doors, fans or windows. Rapid air movement around the detector may prevent smoke from entering the unit.
- Do not locate detectors in areas of high humidity.
- Do not locate detectors in areas where the temperature rises above 38°C (100°F) or falls below 5°C (41°F).

Smoke detectors should always be installed in USA in accordance with Chapter 29 of NFPA 72, the National Fire Alarm Code.

Where required by applicable laws, codes, or standards for a specific type of occupancy, approved single- and multiple-station smoke alarms shall be installed as follows:

1. In all sleeping rooms and guest rooms.
2. Outside of each separate dwelling unit sleeping area, within 6.4 m (21 ft) of any door to a sleeping room, the distance measured along a path of travel.
3. On every level of a dwelling unit, including basements.
4. On every level of a residential board and care occupancy (small facility), including basements and excluding crawl spaces and unfinished attics.
5. In the living area(s) of a guest suite.
6. In the living area(s) of a residential board and care occupancy (small facility).

Figure 1

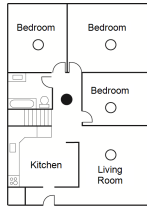


Figure 2

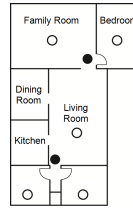


Figure 3

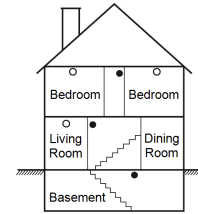


Figure 3a

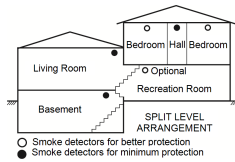
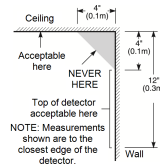


Figure 4



Fire Escape Planning

There is often very little time between the detection of a fire and the time it becomes deadly. It is thus very important that a family escape plan be developed and rehearsed.

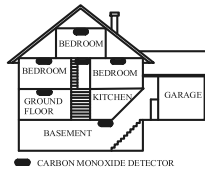
1. Every family member should participate in developing the escape plan.
2. Study the possible escape routes from each location within the house. Since many fires occur at night, special attention should be given to the escape routes from sleeping quarters.
3. Escape from a bedroom must be possible without opening the interior door.

Consider the following when making your escape plans:

- Make sure that all border doors and windows are easily opened. Ensure that they are not painted shut, and that their locking mechanisms operate smoothly.
- If opening or using the exit is too difficult for children, the elderly or handicapped, plans for rescue should be developed. This includes making sure that those who are to perform the rescue can promptly hear the fire warning signal.
- If the exit is above the ground level, an approved fire ladder or rope should be provided as well as training in its use.
- Exits on the ground level should be kept clear. Be sure to remove snow from exterior patio doors in winter; outdoor furniture or equipment should not block exits.
- Each person should know the predetermined assembly point where everyone can be accounted for (e.g., across the street or at a neighbor's house). Once everyone is out of the building, call the fire department.
- A good plan emphasizes quick escape. Do not investigate or attempt to fight the fire, and do not gather belongings as this can waste valuable time. Once outside, do not re-enter the house. Wait for the fire department.
- Write the fire escape plan down and rehearse it frequently so that should an emergency arise, everyone will know what to do. Revise the plan as conditions change, such as the number of people in the home, or if there are changes to the building's construction.

- Make sure your fire warning system is operational by conducting weekly tests. If you are unsure about system operation, contact your installer.
- We recommend that you contact your local fire department and request further information on fire safety and escape planning. If available, have your local fire prevention officer conduct an in-house fire safety inspection.

Figure 5



Carbon Monoxide Detectors

Carbon monoxide is colorless, odorless, tasteless, and very toxic, it also moves freely in the air. CO detectors can measure the concentration and sound a loud alarm before a potentially harmful level is reached. The human body is most vulnerable to the effects of CO gas during sleeping hours; therefore, CO detectors should be located in or as near as possible to sleeping areas of the home. For maximum protection, a CO alarm should be located outside primary sleeping areas or on each level of your home. Figure 5 indicates the suggested locations in the home.

Do NOT place the CO alarm in the following areas:

- Where the temperature may drop below -10°C or exceed 40°C
- Near paint thinner fumes
- Within 5 feet (1.5 m) of open flame appliances such as furnaces, stoves and fireplaces
- In exhaust streams from gas engines, vents, flues or chimneys
- In close proximity to an automobile exhaust pipe; this will damage the detector

PLEASE REFER TO THE CO DETECTOR INSTALLATION AND OPERATING INSTRUCTION SHEET FOR SAFETY INSTRUCTIONS AND EMERGENCY INFORMATION.

New Features Listing

Version 1.2

- Support for 32 keypads and 32 partitions for HS3248 model
- Support for 30 HSM3408 modules
- Support 32 HS2TCH keypads
- Support for 16 HS2LCDWF keypads
- Support for 16 HSM3204CX modules for the HS3248 panel
- Communicator installer code added for option [851][011]
- Native support for PGx309
- Support for Alarm Install PSP and PowerManage end user app
- DLS Access Code editing available during account creation
- Communicator default options [851][999] and section [993]

Version 1.3

- Support for video on demand using ITv2
- Support for a maximum of eight zones association to PIR Camera

Limited warranty

Limited warranty

Digital Security Controls (DSC) warrants the original purchaser that for a period of twelve months from the date of purchase, the product shall be free of defects in materials and workmanship under normal use. During the warranty period, DSC shall, at its option, repair or replace any defective product upon return of the product to its factory, at no charge for labour and materials. Any replacement and/or repaired parts are warranted for the remainder of the original warranty or ninety (90) days, whichever is longer. The original purchaser must promptly notify DSC in writing that there is defect in material or workmanship, such written notice to be received in all events prior to expiration of the warranty period. There is absolutely no warranty on software and all software products are sold as a user license under the terms of the software license agreement included with the product. The Customer assumes all responsibility for the proper selection, installation, operation and maintenance of any products purchased from DSC. Custom products are only warranted to the extent that they do not function upon delivery. In such cases, DSC can replace or credit at its option.

International Warranty

The warranty for international customers is the same as for any customer within Canada and the United States, with the exception that DSC shall not be responsible for any customs fees, taxes, or VAT that may be due.

Warranty Procedure

To obtain service under this warranty, please return the item(s) in question to the point of purchase. All authorized distributors and dealers have a warranty program. Anyone returning goods to Digital Security Controls must first obtain an authorization number. Digital Security Controls will not accept any shipment whatsoever for which prior authorization has not been obtained.

Conditions to Void Warranty

This warranty applies only to defects in parts and workmanship relating to normal use. It does not cover:

- damage incurred in shipping or handling;
- damage caused by disaster such as fire, flood, wind, earthquake or lightning;
- damage due to causes beyond the control of DSC such as excessive voltage, mechanical shock or water damage;
- damage caused by unauthorized attachment, alterations, modifications or foreign objects;
- damage caused by peripherals (unless such peripherals were supplied by DSC);
- defects caused by failure to provide a suitable installation environment for the products;
- damage caused by use of the products for purposes other than those for which it was designed;
- damage from improper maintenance;
- damage arising out of any other abuse, mishandling or improper application of the products.

Items Not Covered by Warranty

In addition to the items which void the Warranty, the following items shall not be covered by Warranty: (i) freight cost to the repair centre; (ii) products which are not identified with DSC's product label and lot number or serial number; (iii) products disassembled or repaired in such a manner as to adversely affect performance or prevent adequate inspection or testing to verify any warranty claim. Access cards or tags returned for replacement under warranty will be credited or

replaced at DSC's option. Products not covered by this warranty, or otherwise out of warranty due to age, misuse, or damage shall be evaluated, and a repair estimate shall be provided. No repair work will be performed until a valid purchase order is received from the Customer and a Return Merchandise Authorization number (RMA) is issued by DSC's Customer Service. Digital Security Controls' liability for failure to repair the product under this warranty after a reasonable number of attempts will be limited to a replacement of the product, as the exclusive remedy for breach of warranty. Under no circumstances shall DSC be liable for any special, incidental, or consequential damages based upon breach of warranty, breach of contract, negligence, strict liability, or any other legal theory. Such damages include, but are not limited to, loss of profits, loss of the product or any associated equipment, cost of capital, cost of substitute or replacement equipment, facilities or services, down time, purchaser's time, the claims of third parties, including customers, and injury to property. The laws of some jurisdictions limit or do not allow the disclaimer of consequential damages. If the laws of such a jurisdiction apply to any claim by or against DSC, the limitations and disclaimers contained here shall be to the greatest extent permitted by law. Some states do not allow the exclusion or limitation of incidental or consequential damages, so that the above may not apply to you.

Disclaimer of Warranties

This warranty contains the entire warranty and shall be in lieu of any and all other warranties, whether expressed or implied (including all implied warranties of merchantability or fitness for a particular purpose) and of all other obligations or liabilities on the part of Digital Security Controls. Digital Security Controls neither assumes responsibility for, nor authorizes any other person purporting to act on its behalf to modify or to change this warranty, nor to assume for it any other warranty or liability concerning this product. This disclaimer of warranties and limited warranty are governed by the laws of the province of Ontario, Canada.

⚠ WARNING: Digital Security Controls recommends that the entire system be completely tested on a regular basis. However, despite frequent testing, and due to, but not limited to, criminal tampering or electrical disruption, it is possible for this product to fail to perform as expected.

Out of Warranty Repairs

Digital Security Controls will at its option repair or replace out-of-warranty products which are returned to its factory according to the following conditions. Anyone returning goods to Digital Security Controls must first obtain an authorization number. Digital Security Controls will not accept any shipment whatsoever for which prior authorization has not been obtained. Products which Digital Security Controls determines to be repairable will be repaired and returned. A set fee which Digital Security Controls has predetermined and which may be revised from time to time, will be charged for each unit repaired. Products which Digital Security Controls determines not to be repairable will be replaced by the nearest equivalent product available at that time. The current market price of the replacement product will be charged for each replacement unit.

WARNING - READ CAREFULLYNote to Installers

This warning contains vital information. As the only individual in contact with system users, it is your responsibility to bring each item in this warning to the attention of the users of this system.

System Failures

This system has been carefully designed to be as effective as possible. There are circumstances, however, involving fire, burglary, or other types of emergencies where it may not provide protection. Any alarm system of any type may be compromised deliberately or may fail to operate as expected for a variety of reasons. Some but not all of these reasons may be:

Inadequate Installation

A security system must be installed properly in order to provide adequate protection. Every installation should be evaluated by a security professional to ensure that all access points and areas are covered. Locks and latches on windows and doors must be secure and operate as intended. Windows, doors, walls, ceilings and other building materials must be of sufficient strength and

construction to provide the level of protection expected. A reevaluation must be done during and after any construction activity. An evaluation by the fire and/or police department is highly recommended if this service is available.

Criminal Knowledge

This system contains security features which were known to be effective at the time of manufacture. It is possible for persons with criminal intent to develop techniques which reduce the effectiveness of these features. It is important that a security system be reviewed periodically to ensure that its features remain effective and that it be updated or replaced if it is found that it does not provide the protection expected.

Access by Intruders

Intruders may enter through an unprotected access point, circumvent a sensing device, evade detection by moving through an area of insufficient coverage, disconnect a warning device, or interfere with or prevent the proper operation of the system.

Power Failure

Control units, intrusion detectors, smoke detectors and many other security devices require an adequate power supply for proper operation. If a device operates from batteries, it is possible for the batteries to fail. Even if the batteries have not failed, they must be charged, in good condition and installed correctly. If a device operates only by AC power, any interruption, however brief, will render that device inoperative while it does not have power. Power interruptions of any length are often accompanied by voltage fluctuations which may damage electronic equipment such as a security system. After a power interruption has occurred, immediately conduct a complete system test to ensure that the system operates as intended.

Failure of Replaceable Batteries

This system's wireless transmitters have been designed to provide several years of battery life under normal conditions. The expected battery life is a function of the device environment, usage and type. Ambient conditions such as high humidity, high or low temperatures, or large temperature fluctuations may reduce the expected battery life. While each transmitting device has a low battery monitor which identifies when the batteries need to be replaced, this monitor may fail to operate as expected. Regular testing and maintenance will keep the system in good operating condition.

Compromise of Radio Frequency (Wireless) Devices

Signals may not reach the receiver under all circumstances which could include metal objects placed on or near the radio path or deliberate jamming or other inadvertent radio signal interference.

System Users

A user may not be able to operate a panic or emergency switch possibly due to permanent or temporary physical disability, inability to reach the device in time, or unfamiliarity with the correct operation. It is important that all system users be trained in the correct operation of the alarm system and that they know how to respond when the system indicates an alarm.

Smoke Detectors

Smoke detectors that are a part of this system may not properly alert occupants of a fire for a number of reasons, some of which follow. The smoke detectors may have been improperly installed or positioned. Smoke may not be able to reach the smoke detectors, such as when the fire is in a chimney, walls or roofs, or on the other side of closed doors. Smoke detectors may not detect smoke from fires on another level of the residence or building. Every fire is different in the amount of smoke produced and the rate of burning. Smoke detectors cannot sense all types of fires equally well. Smoke detectors may not provide timely warning of fires caused by carelessness or safety hazards such as smoking in bed, violent explosions, escaping gas, improper storage of flammable materials, overloaded electrical circuits, children playing with matches or arson. Even if the smoke

detector operates as intended, there may be circumstances when there is insufficient warning to allow all occupants to escape in time to avoid injury or death.

Motion Detectors

Motion detectors can only detect motion within the designated areas as shown in their respective installation instructions. They cannot discriminate between intruders and intended occupants. Motion detectors do not provide volumetric area protection. They have multiple beams of detection and motion can only be detected in unobstructed areas covered by these beams. They cannot detect motion which occurs behind walls, ceilings, floor, closed doors, glass partitions, glass doors or windows. Any type of tampering whether intentional or unintentional such as masking, painting, or spraying of any material on the lenses, mirrors, windows or any other part of the detection system will impair its proper operation. Passive infrared motion detectors operate by sensing changes in temperature. However their effectiveness can be reduced when the ambient temperature rises near or above body temperature or if there are intentional or unintentional sources of heat in or near the detection area. Some of these heat sources could be heaters, radiators, stoves, barbeques, fireplaces, sunlight, steam vents, lighting and so on.

Warning Devices

Warning devices such as sirens, bells, horns, or strobes may not warn people or waken someone sleeping if there is an intervening wall or door. If warning devices are located on a different level of the residence or premise, then it is less likely that the occupants will be alerted or awakened. Audible warning devices may be interfered with by other noise sources such as stereos, radios, televisions, air conditioners or other appliances, or passing traffic. Audible warning devices, however loud, may not be heard by a hearing-impaired person.

Telephone Lines

If telephone lines are used to transmit alarms, they may be out of service or busy for certain periods of time. Also an intruder may cut the telephone line or defeat its operation by more sophisticated means which may be difficult to detect.

Insufficient Time

There may be circumstances when the system will operate as intended, yet the occupants will not be protected from the emergency due to their inability to respond to the warnings in a timely manner. If the system is monitored, the response may not occur in time to protect the occupants or their belongings.

Component Failure

Although every effort has been made to make this system as reliable as possible, the system may fail to function as intended due to the failure of a component.

Inadequate Testing

Most problems that would prevent an alarm system from operating as intended can be found by regular testing and maintenance. The complete system should be tested weekly and immediately after a break-in, an attempted break-in, a fire, a storm, an earthquake, an accident, or any kind of construction activity inside or outside the premises. The testing should include all sensing devices, keypads, consoles, alarm indicating devices and any other operational devices that are part of the system.

Security and Insurance

Regardless of its capabilities, an alarm system is not a substitute for property or life insurance. An alarm system also is not a substitute for property owners, renters, or other occupants to act prudently to prevent or minimize the harmful effects of an emergency situation.

IMPORTANT - READ CAREFULLY:

DSC Software purchased with or without Products and Components is copyrighted and is purchased under the following license terms:

- This End- User License Agreement (“EULA”) is a legal agreement between You (the company, individual or entity who acquired the Software and any related Hardware) and Digital Security Controls, a division of Tyco Safety Products Canada Ltd. (“DSC”), the manufacturer of the integrated security systems and the developer of the software and any related products or components (“HARDWARE”) which You acquired.
- If the DSC software product (“SOFTWARE PRODUCT” or “SOFTWARE”) is intended to be accompanied by HARDWARE, and is NOT accompanied by new HARDWARE, You may not use, copy or install the SOFTWARE PRODUCT. The SOFTWARE PRODUCT includes computer software, and may include associated media, printed materials, and “online” or electronic documentation.
- Any software provided along with the SOFTWARE PRODUCT that is associated with a separate end- user license agreement is licensed to You under the terms of that license agreement.
- By installing, copying, downloading, storing, accessing or otherwise using the SOFTWARE PRODUCT, You agree unconditionally to be bound by the terms of this EULA, even if this EULA is deemed to be a modification of any previous arrangement or contract. If You do not agree to the terms of this EULA, DSC is unwilling to license the SOFTWARE PRODUCT to You, and You have no right to use it.

Software produce license

Software product license

The SOFTWARE PRODUCT is protected by copyright laws and international copyright treaties, as well as other intellectual property laws and treaties. The SOFTWARE PRODUCT is licensed, not sold.

1. GRANT OF LICENSE This EULA grants You the following rights:

(a) Software Installation and Use - For each license You acquire, You may have only one copy of the SOFTWARE PRODUCT installed.

(b) Storage/Network Use - The SOFTWARE PRODUCT may not be installed, accessed, displayed, run, shared or used concurrently on or from different computers, including a workstation, terminal or other digital electronic device ("Device"). In other words, if You have several workstations, You will have to acquire a license for each workstation where the SOFTWARE will be used.

(c) Backup Copy - You may make back-up copies of the SOFTWARE PRODUCT, but You may only have one copy per license installed at any given time. You may use the back-up copy solely for archival purposes. Except as expressly provided in this EULA, You may not otherwise make copies of the SOFTWARE PRODUCT, including the printed materials accompanying the SOFTWARE.

2. DESCRIPTION OF OTHER RIGHTS AND LIMITATIONS

(a) Limitations on Reverse Engineering, Decompilation and Disassembly - You may not reverse engineer, decompile, or disassemble the SOFTWARE PRODUCT, except and only to the extent that such activity is expressly permitted by applicable law notwithstanding this limitation. You may not make any changes or modifications to the Software, without the written permission of an officer of DSC. You may not remove any proprietary notices, marks or labels from the Software Product. You shall institute reasonable measures to ensure compliance with the terms and conditions of this EULA.

(b) Separation of Components - The SOFTWARE PRODUCT is licensed as a single product. Its component parts may not be separated for use on more than one HARDWARE unit.

(c) Single INTEGRATED PRODUCT - If You acquired this SOFTWARE with HARDWARE, then the SOFTWARE PRODUCT is licensed with the HARDWARE as a single integrated product. In this case, the SOFTWARE PRODUCT may only be used with the HARDWARE as set forth in this EULA.

(d) Rental - You may not rent, lease or lend the SOFTWARE PRODUCT. You may not make it available to others or post it on a server or web site.

(e) Software Product Transfer - You may transfer all of Your rights under this EULA only as part of a permanent sale or transfer of the HARDWARE, provided You retain no copies, You transfer all of the SOFTWARE PRODUCT (including all component parts, the media and printed materials, any upgrades and this EULA), and provided the recipient agrees to the terms of this EULA. If the SOFTWARE PRODUCT is an upgrade, any transfer must also include all prior versions of the SOFTWARE PRODUCT.

(f) Termination - Without prejudice to any other rights, DSC may terminate this EULA if You fail to comply with the terms and conditions of this EULA. In such event, You must destroy all copies of the SOFTWARE PRODUCT and all of its component parts.

(g) Trademarks - This EULA does not grant You any rights in connection with any trademarks or service marks of DSC or its suppliers.

3. COPYRIGHT

All title and intellectual property rights in and to the SOFTWARE PRODUCT (including but not limited to any images, photographs, and text incorporated into the SOFTWARE PRODUCT), the accompanying printed materials, and any copies of the SOFTWARE PRODUCT, are owned by DSC or its suppliers. You may not copy the printed materials accompanying the SOFTWARE PRODUCT. All title and intellectual property rights in and to the content which may be accessed through use of

the SOFTWARE PRODUCT are the property of the respective content owner and may be protected by applicable copyright or other intellectual property laws and treaties. This EULA grants You no rights to use such content. All rights not expressly granted under this EULA are reserved by DSC and its suppliers.

4. EXPORT RESTRICTIONS

You agree that You will not export or re-export the SOFTWARE PRODUCT to any country, person, or entity subject to Canadian export restrictions.

5. CHOICE OF LAW

This Software License Agreement is governed by the laws of the Province of Ontario, Canada.

6. ARBITRATION

All disputes arising in connection with this Agreement shall be determined by final and binding arbitration in accordance with the Arbitration Act, and the parties agree to be bound by the arbitrator's decision. The place of arbitration shall be Toronto, Canada, and the installation manual of the arbitration shall be English.

7. LIMITED WARRANTY

(a) NO WARRANTY - DSC PROVIDES THE SOFTWARE "AS IS" WITHOUT WARRANTY. DSC DOES NOT WARRANT THAT THE SOFTWARE WILL MEET YOUR REQUIREMENTS OR THAT OPERATION OF THE SOFTWARE WILL BE UNINTERRUPTED OR ERROR-FREE.

(b) CHANGES IN OPERATING ENVIRONMENT - DSC shall not be responsible for problems caused by changes in the operating characteristics of the HARDWARE, or for problems in the interaction of the SOFTWARE PRODUCT with non-DSC-SOFTWARE or HARDWARE PRODUCTS.

(c) LIMITATION OF LIABILITY; WARRANTY REFLECTS ALLOCATION OF RISK - IN ANY EVENT, IF ANY STATUTE IMPLIES WARRANTIES OR CONDITIONS NOT STATED IN THIS LICENSE AGREEMENT, DSC'S ENTIRE LIABILITY UNDER ANY PROVISION OF THIS LICENSE AGREEMENT SHALL BE LIMITED TO THE GREATER OF THE AMOUNT ACTUALLY PAID BY YOU TO LICENSE THE SOFTWARE PRODUCT AND FIVE CANADIAN DOLLARS (CAD\$5.00). BECAUSE SOME JURISDICTIONS DO NOT ALLOW THE EXCLUSION OR LIMITATION OF LIABILITY FOR CONSEQUENTIAL OR INCIDENTAL DAMAGES, THE ABOVE LIMITATION MAY NOT APPLY TO YOU.

(d) DISCLAIMER OF WARRANTIES - THIS WARRANTY CONTAINS THE ENTIRE WARRANTY AND SHALL BE IN LIEU OF ANY AND ALL OTHER WARRANTIES, WHETHER EXPRESSED OR IMPLIED (INCLUDING ALL IMPLIED WARRANTIES OF MERCHANTABILITY OR FITNESS FOR A PARTICULAR PURPOSE) AND OF ALL OTHER OBLIGATIONS OR LIABILITIES ON THE PART OF DSC. DSC MAKES NO OTHER WARRANTIES. DSC NEITHER ASSUMES NOR AUTHORIZES ANY OTHER PERSON PURPORTING TO ACT ON ITS BEHALF TO MODIFY OR TO CHANGE THIS WARRANTY, NOR TO ASSUME FOR IT ANY OTHER WARRANTY OR LIABILITY CONCERNING THIS SOFTWARE PRODUCT.

(e) EXCLUSIVE REMEDY AND LIMITATION OF WARRANTY - UNDER NO CIRCUMSTANCES SHALL DSC BE LIABLE FOR ANY SPECIAL, INCIDENTAL, CONSEQUENTIAL OR INDIRECT DAMAGES BASED UPON BREACH OF WARRANTY, BREACH OF CONTRACT, NEGLIGENCE, STRICT LIABILITY, OR ANY OTHER LEGAL THEORY. SUCH DAMAGES INCLUDE, BUT ARE NOT LIMITED TO, LOSS OF PROFITS, LOSS OF THE SOFTWARE PRODUCT OR ANY ASSOCIATED EQUIPMENT, COST OF CAPITAL, COST OF SUBSTITUTE OR REPLACEMENT EQUIPMENT, FACILITIES OR SERVICES, DOWN TIME, PURCHASERS TIME, THE CLAIMS OF THIRD PARTIES, INCLUDING CUSTOMERS, AND INJURY TO PROPERTY.

⚠ WARNING: DSC recommends that the entire system be completely tested on a regular basis. However, despite frequent testing, and due to, but not limited to, criminal tampering or electrical disruption, it is possible for this SOFTWARE PRODUCT to fail to perform as expected.
